



**Industrial  
Fans & Blowers**



***cyclone***

**Secondary Mine  
Ventilation Fans**



# Cyclone

AirEng is one of Australia's leading manufacturers of high quality Industrial Fans & Blowers. Since beginning operations in 1993 AirEng has fans installed on every continent and in over 50 countries. We continue to be an innovator and market leader in the field of industrial ventilation. Our technical and engineering resources combined with state-of-the-art manufacturing techniques make AirEng a superior choice.

Our company is a mining fan specialist with over 300 fans installed in the global

mining sector. Installations include primary, secondary and auxiliary ventilation, gas drainage, continuous miner scrubbers and dust suppression. AirEng can offer full turnkey mine ventilation projects including all mechanical, civil and electrical works – with a proven record.

AirEng provides whole-of-life asset support and this coupled with the highest level of reliability will significantly reduce risk exposure in all applications.

The Cyclone range of Secondary Mine Ventilation fans comes in standard

sizes from 610mm to 1400mm. The fans are available in Single Stage or Two Stage (contra-rotating or co-rotating) configurations with flows from 6m<sup>3</sup>/s to 60m<sup>3</sup>/s and pressures from 1.3kPa to 7.4kPa.

AirEng can also provide design and engineering services for non-standard applications, so please contact our team for more information.

## Single Stage

A, B & C

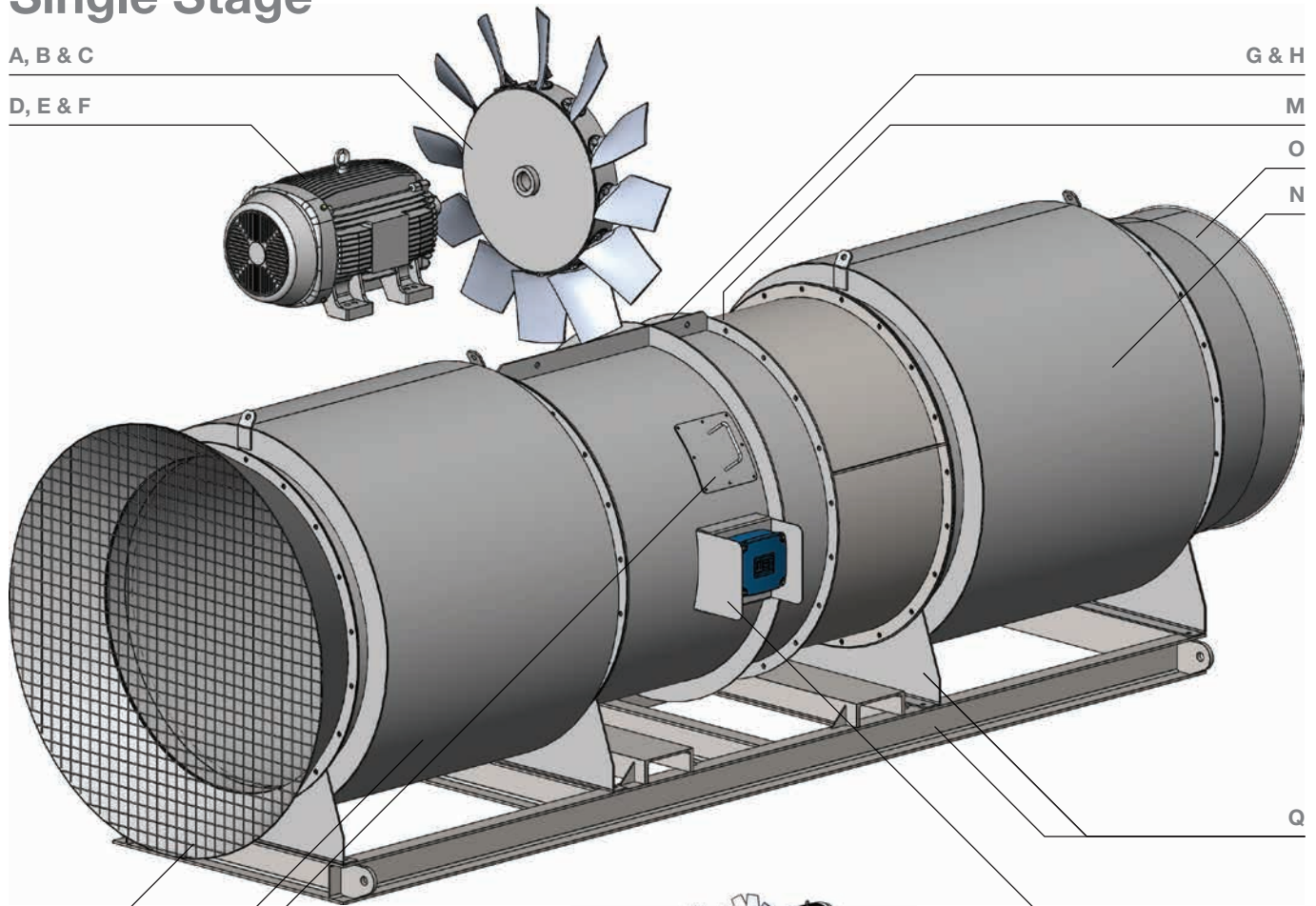
D, E & F

G & H

M

O

N



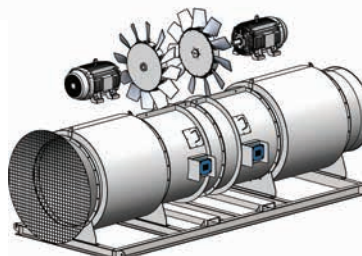
P

N

L

I, J & K

## Two Stage



# Secondary Mine Ventilation Fans



## Standard Features

- A** A High Total Efficiency / Low Sound Output
- B** Variable Pitch Blades
- C** Fabricated Steel Hub and Aluminium Cast Blades (Aluminium Hub on Model AE600-AE900)
- D** Heavy Duty 1000V WEG/TECO Motor
- E** Motor Thermal Protection (optional On AE600 7.5-11kW)
- F** Heavy Duty Flexible Anaconda Conduit to Terminal Box
- G** Top Stiffening Rail with Provision for Lifting Shackles
- H** Robust Casing Construction
- I** Externally Mounted Terminal Box & Guard
- J** Externally Mounted Thermistor Box (optional on AE600 7.5-11kW)
- K** External Greasing Points
- L** Inspection Door
- M** Removable Guide Vane Section (On Single Stage Models)
  - » Directional Arrows
  - » Stainless Steel Nameplate with Serial Number
  - » Lifting Points Marked
  - » Heavy Duty Industrial Coating
  - » Tested to ISO 5801

## Standard Accessories

- N** Inlet/Outlet Silencer
- O** Vent Bag Adaptor
- P** Inlet Cone & Mesh Guard
- Q** Mounting Feet with Provision for Forklift

## Other Accessories

- » Flame Proof Motors
- » Alternate Motors (ABB, TOSHIBA)
- » Outlet Evase
- » Full Channel Base
- » Anti-Spark
- » Holding Brake
- » Steel Blades
- » Customised Coating Options

For further options, please contact your local AirEng Representative







Model	Vent Bag Size	Stages	Configuration	Motor Size	Fan Speed	Peak Pressure	Max Flow FAD
AE600	610	1	Single Stage	7.5kW	2935rpm	1.3kPa	6m <sup>3</sup> /s
		1	Single Stage	11kW	2950rpm	1.3kPa	7.5m <sup>3</sup> /s
		1	Single Stage	15kW	2950rpm	1.4kPa	8.5m <sup>3</sup> /s
		1	Single Stage	18.5kW	2950rpm	1.4kPa	10m <sup>3</sup> /s
		1	Single Stage	22kW	2950rpm	1.4kPa	11.5m <sup>3</sup> /s
AE760	762	1	Single Stage	15kW	2950rpm	2.1kPa	8m <sup>3</sup> /s
		1	Single Stage	22kW	2950rpm	2.1kPa	10m <sup>3</sup> /s
		1	Single Stage	30kW	2960rpm	2.1kPa	13m <sup>3</sup> /s
		1	Single Stage	37kW	2965rpm	2.1kPa	14.5m <sup>3</sup> /s
AE900	915	1	Single Stage	45kW	2970rpm	3.7kPa	17m <sup>3</sup> /s
		2	Contra-Rotating	45kW	2970rpm	7.4kPa	17m <sup>3</sup> /s
AE1070	1067	1	Single Stage	30kW	1480rpm	1.2kPa	23m <sup>3</sup> /s
		1	Single Stage	37kW	1480rpm	1.2kPa	29m <sup>3</sup> /s
		2	Contra-Rotating	30kW	1480rpm	2.4kPa	23m <sup>3</sup> /s
		2	Contra-Rotating	37kW	1480rpm	2.4kPa	29m <sup>3</sup> /s
AE1260	1220	1	Single Stage	55kW	1480rpm	1.7kPa	35m <sup>3</sup> /s
		1	Single Stage	75kW	1480rpm	1.9kPa	43m <sup>3</sup> /s
		2	Contra/Co-Rotating	55kW	1480rpm	3.6kPa/3.4kPa	35m <sup>3</sup> /s
		2	Contra/Co-Rotating	75kW	1480rpm	4.1kPa/3.8kPa	43m <sup>3</sup> /s
AE1400	1400	1	Single Stage	90kW	1480rpm	2.1kPa	43m <sup>3</sup> /s
		1	Single Stage	110kW	1480rpm	2.3kPa	51m <sup>3</sup> /s
		1	Single Stage	132kW	1490rpm	2.4kPa	63m <sup>3</sup> /s
		2	Contra/Co-Rotating	90kW	1480rpm	4.5kPa/4.2kPa	43m <sup>3</sup> /s
		2	Contra/Co-Rotating	110kW	1485rpm	4.9kPa/4.6kPa	51m <sup>3</sup> /s
		2	Contra/Co-Rotating	132kW	1490rpm	4.9kPa/4.8kPa	60m <sup>3</sup> /s

For Pricing and Options, contact your local AirEng Representative.

## AirEng Pty Ltd

176 Colchester Road  
Bayswater VIC 3153  
Australia

**Head Office** +61 3 9738 1999  
**Email** fans@aireng.com.au

 [aireng.com.au](http://aireng.com.au)  
 [linkedin.com/company/aireng-pty-ltd](https://www.linkedin.com/company/aireng-pty-ltd)  
 [facebook.com/AirEngFans](https://www.facebook.com/AirEngFans)

Your Contact