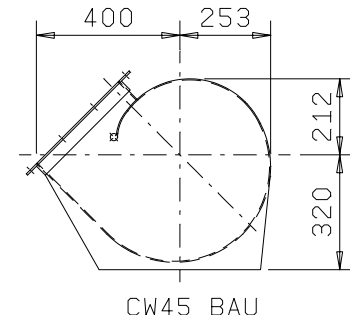
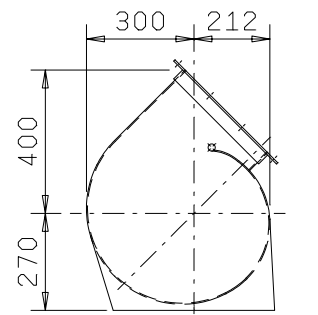


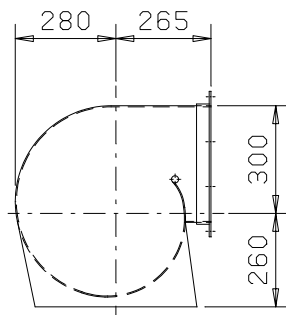
CW0 BH



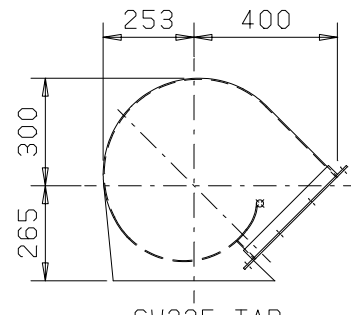
CW45 BAU



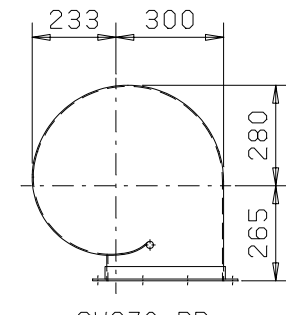
CW135 TAU



CW180 TH

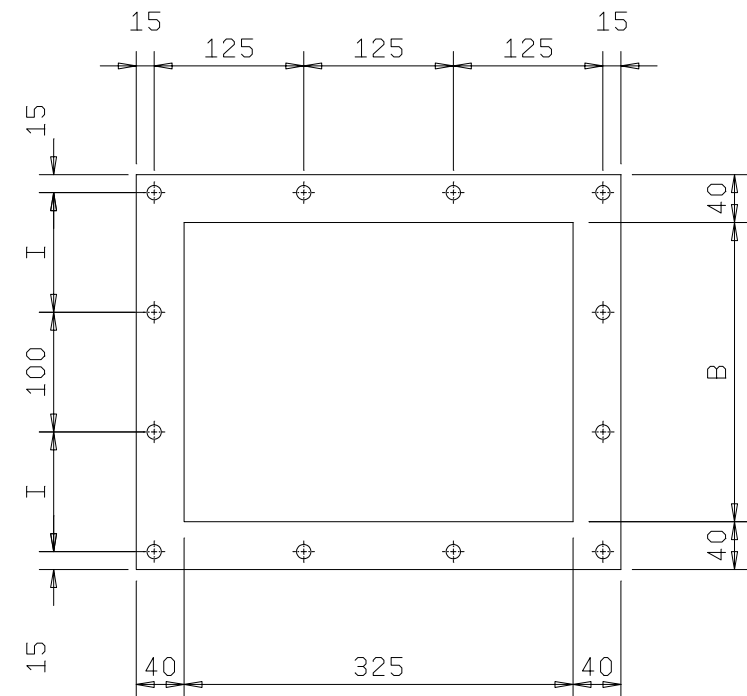


CW225 TAD

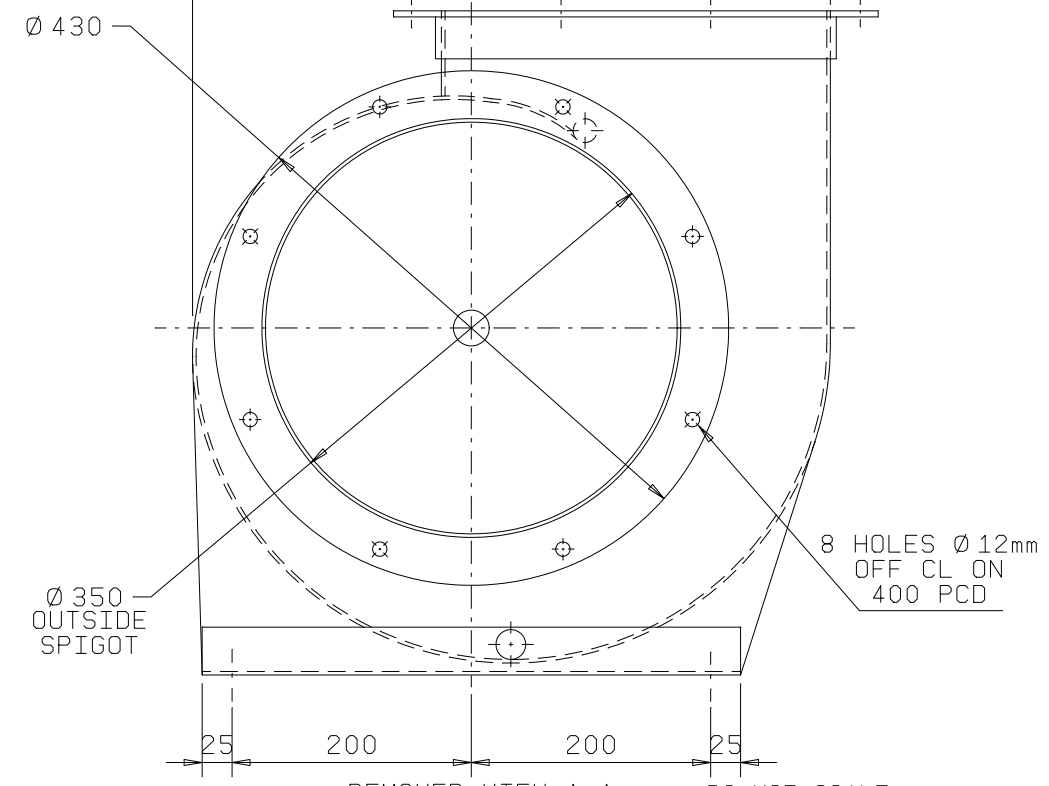
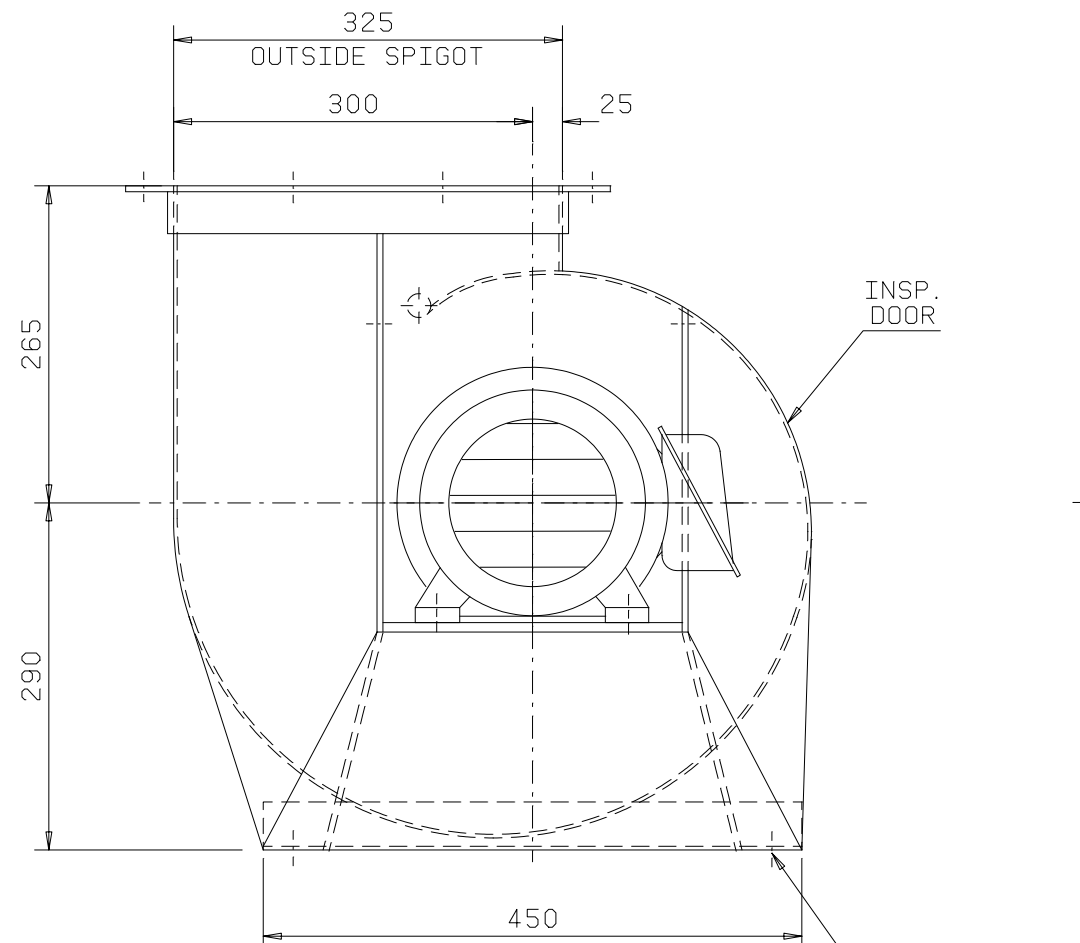


CW270 DB

VIEW FROM DRIVE END

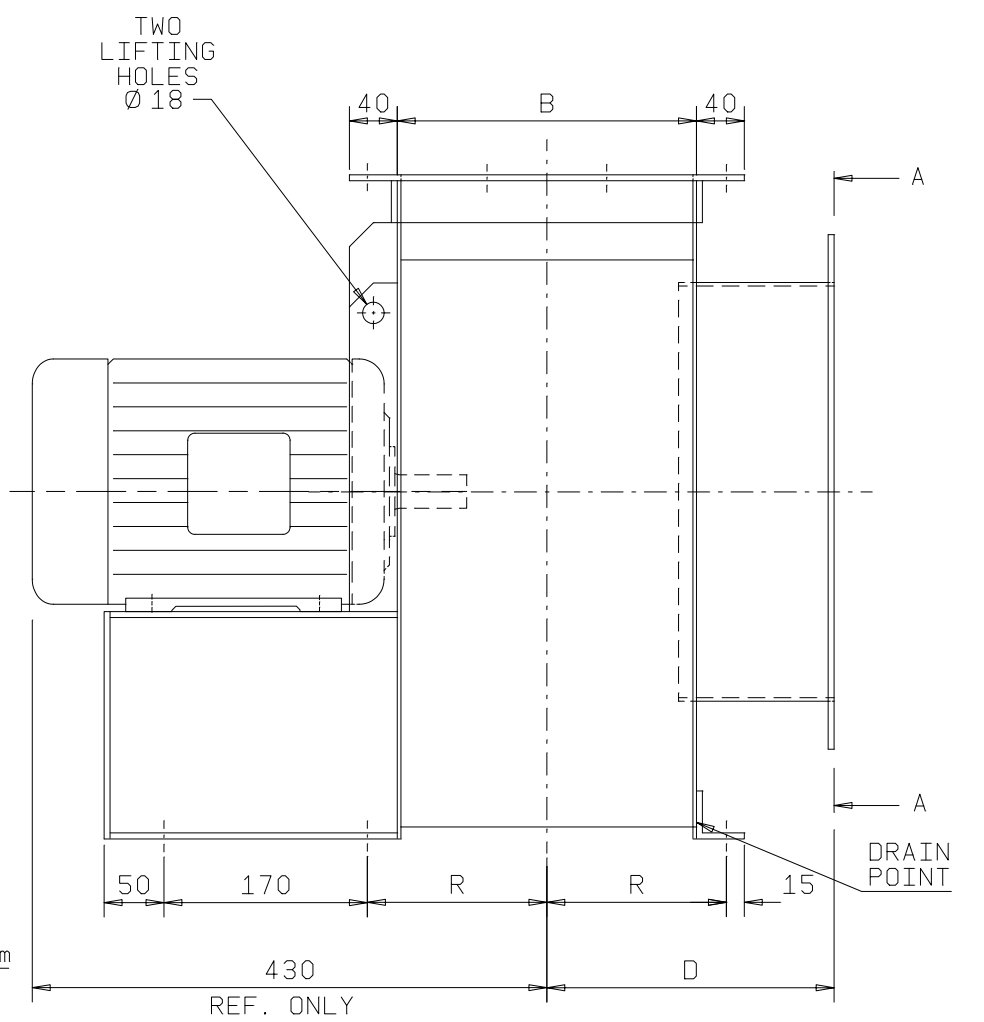


DISCHARGE FLANGE DETAIL  
12 HOLES Ø 12mm



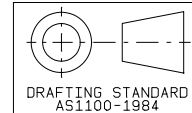
REMOVED VIEW A-A DO NOT SCALE

THIS DRAWING, DESIGNS AND CONCEPTS IS THE SOLE PROPERTY OF AIRENG PTY. LTD. AND IS TO BE RETURNED ON REQUEST. IT IS TO BE TREATED AS CONFIDENTIAL AND NOT TO BE COPIED OR COMMUNICATED TO ANY OTHER PERSON WITHOUT THE WRITTEN CONSENT OF AIRENG PTY. LTD.. IT MAY ONLY BE USED FOR MANUFACTURE WHEN ACCOMPANIED BY A WRITTEN ORDER.



SUITS ALL MOTOR FRAMES TO D100L

CASING % WIDTH	B	D	I	R
40	190	210	70	120
60	210	220	80	130
80	230	230	90	140
100	250	240	100	150
120	270	250	110	160



**AIRENG** PTY. LTD.  
BAYSWATER VICTORIA AUSTRALIA  
Ph. (613) 9761 3333 Fax (613) 9761 0550  
ACN 060 593 164

DRAWN: VTG	TITLE: DESIGN
DATE: 26-10-98	5000 SIZE 1225 ARR.4 CW90
CHECKED:	SUITS MOTOR SIZES TO D100L
DATE:	SCALE DRAWING NO.
REV. No.	QC D5000 S1225 G-C4



**A3**