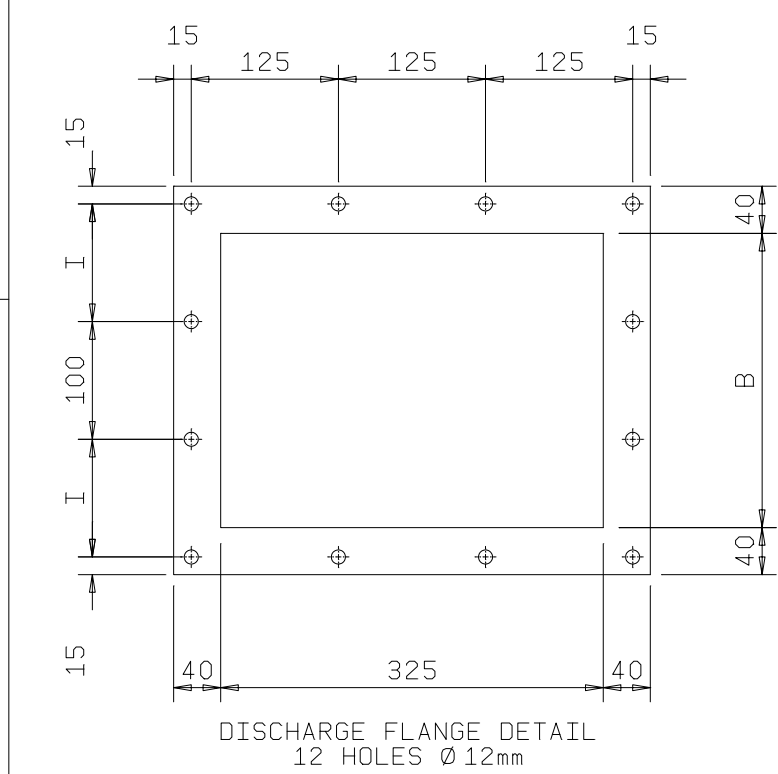
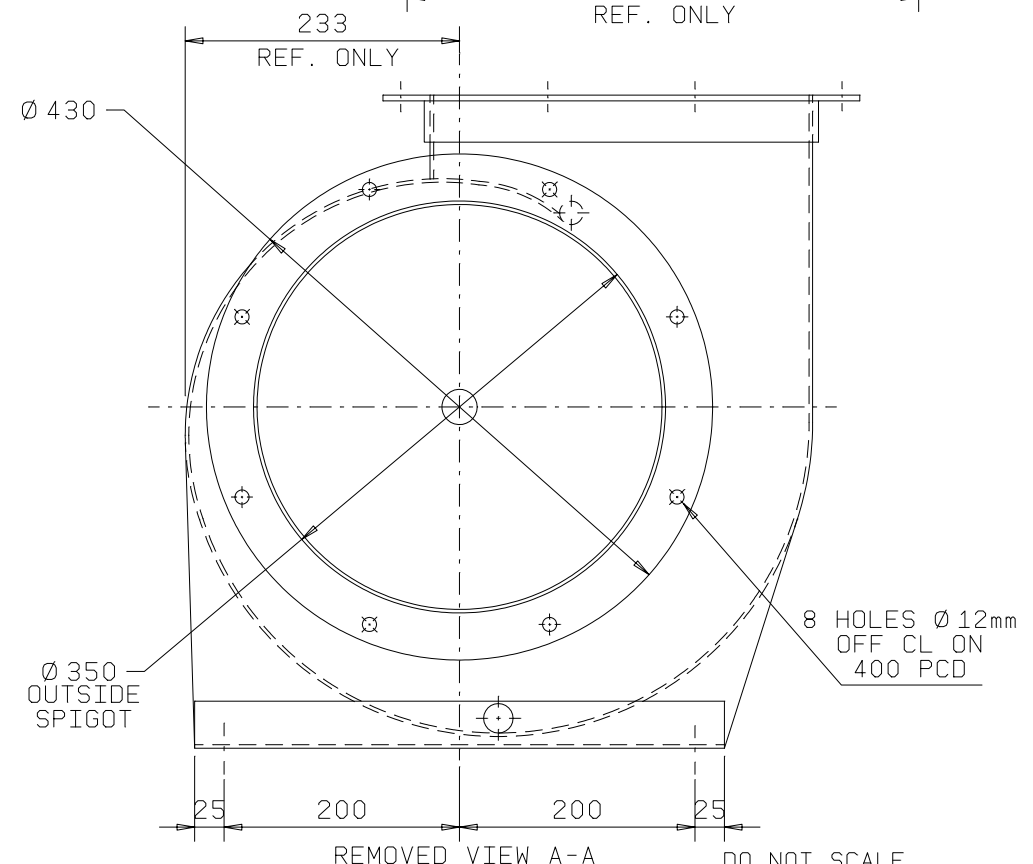
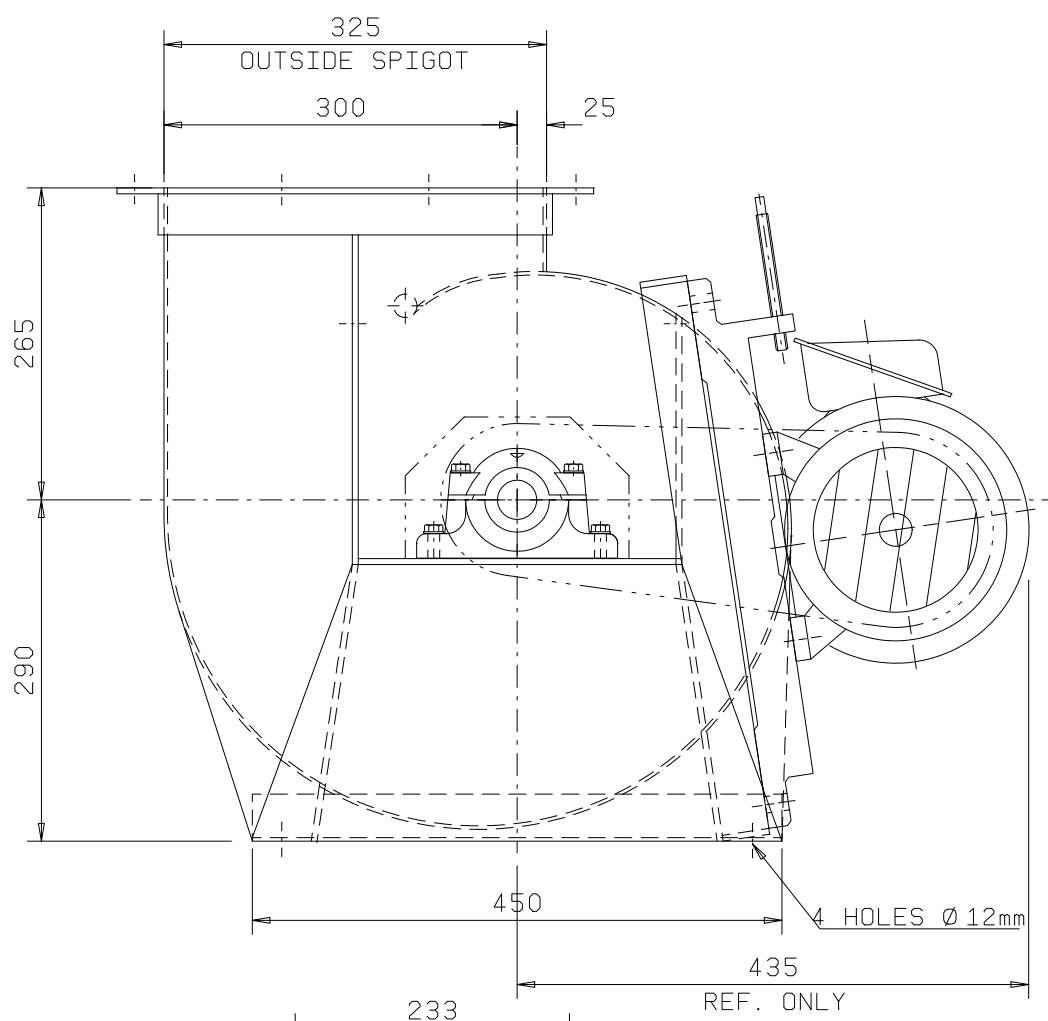


VIEW FROM DRIVE END

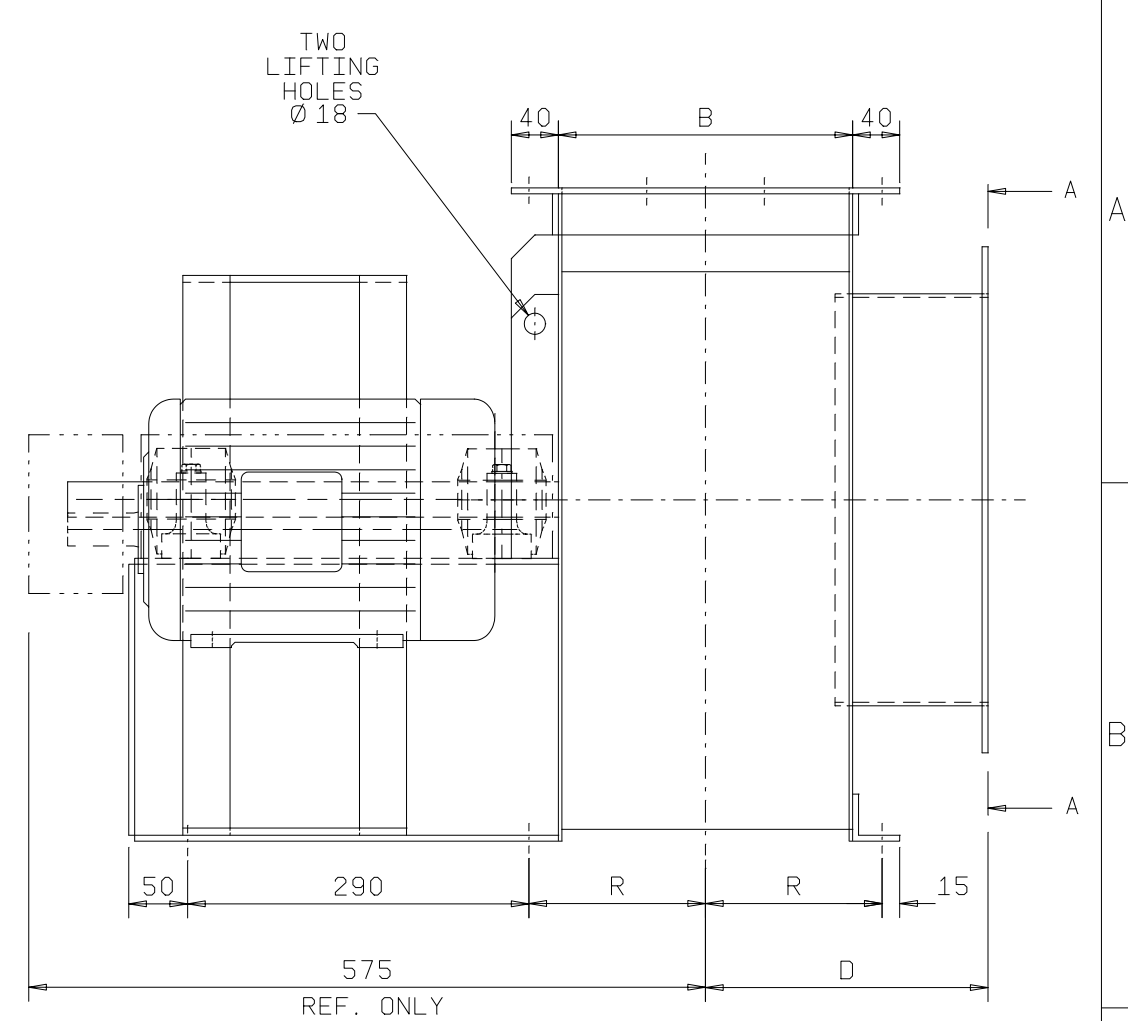


DISCHARGE FLANGE DETAIL  
12 HOLES Ø 12mm



REMOVED VIEW A-A DO NOT SCALE

THIS DRAWING, DESIGNS AND CONCEPTS IS THE SOLE PROPERTY OF AIRENG PTY. LTD. AND IS TO BE RETURNED ON REQUEST. IT IS TO BE TREATED AS CONFIDENTIAL AND NOT TO BE COPIED OR COMMUNICATED TO ANY OTHER PERSON WITHOUT THE WRITTEN CONSENT OF AIRENG PTY. LTD.. IT MAY ONLY BE USED FOR MANUFACTURE WHEN ACCOMPANIED BY A WRITTEN ORDER.



SUITS ALL MOTOR FRAMES TO D100L

CASING % WIDTH	B	D	I	R
40	190	210	70	120
60	210	220	80	130
80	230	230	90	140
100	250	240	100	150
120	270	250	110	160

	BAYSWATER VICTORIA AUSTRALIA Ph. (613) 9761 3333 Fax (613) 9761 0550 ACN 060 593 164	
	DRAWN: VTG DATE: 04-11-98 CHECKED: DATE:	TITLE: DESIGN 5000 SIZE 1225 ARR.9 CW90 SUITS MOTOR SIZES TO D100L
DRAFTING STANDARD AS1100-1984 CAD FILE No.	REV. No.	SCALE DRAWING NO.
	QC D5000 S1225 G-C9W	<b>A3</b>