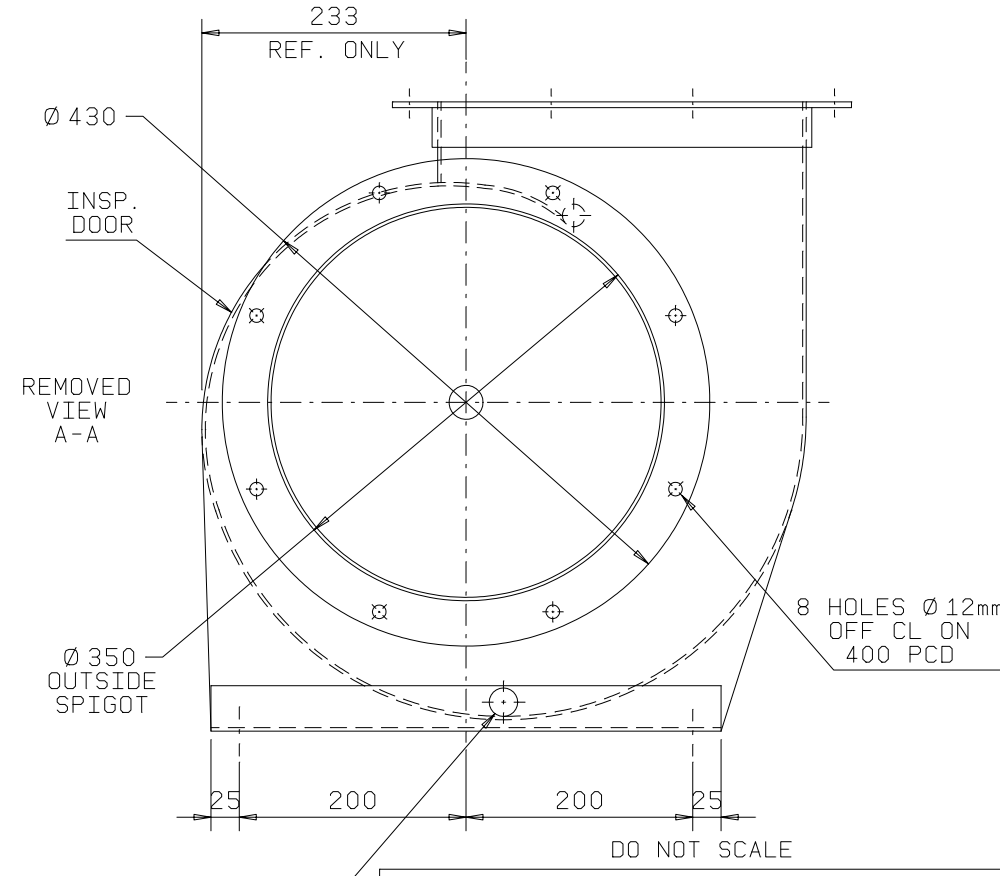
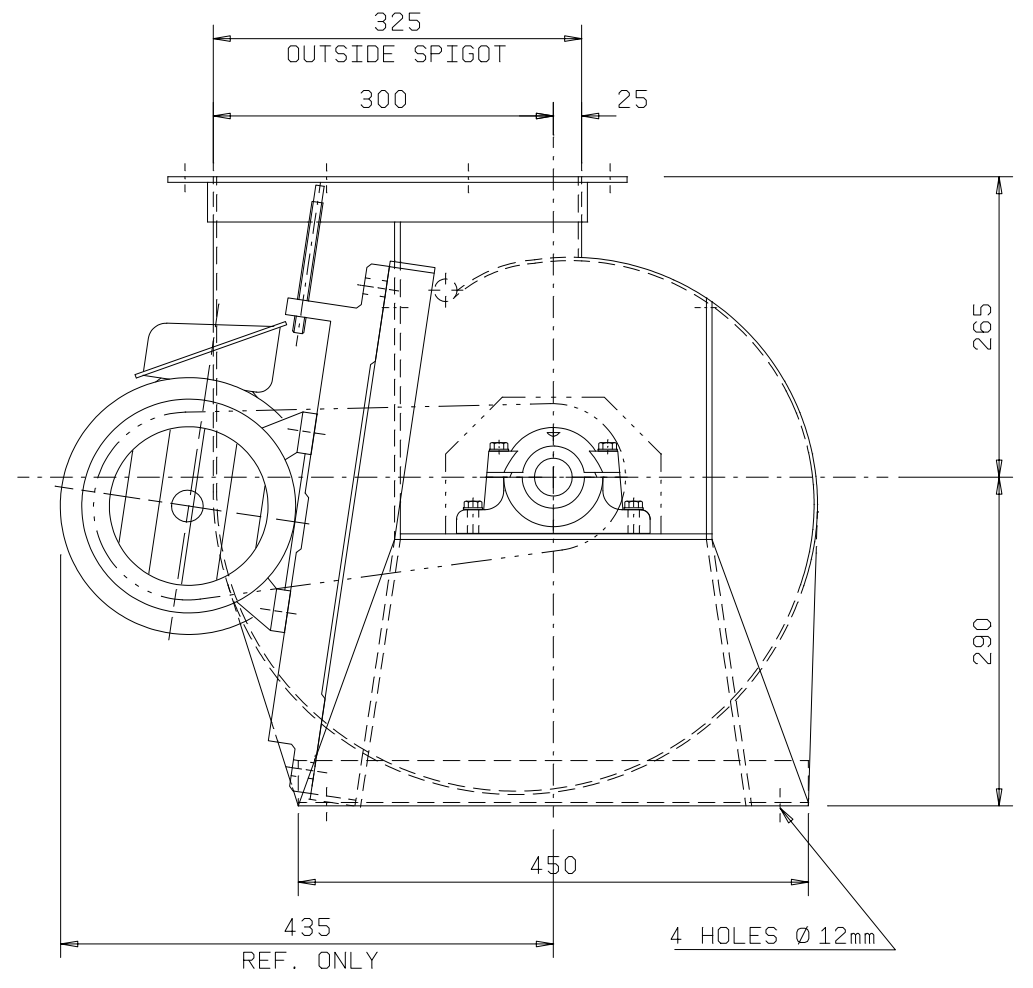
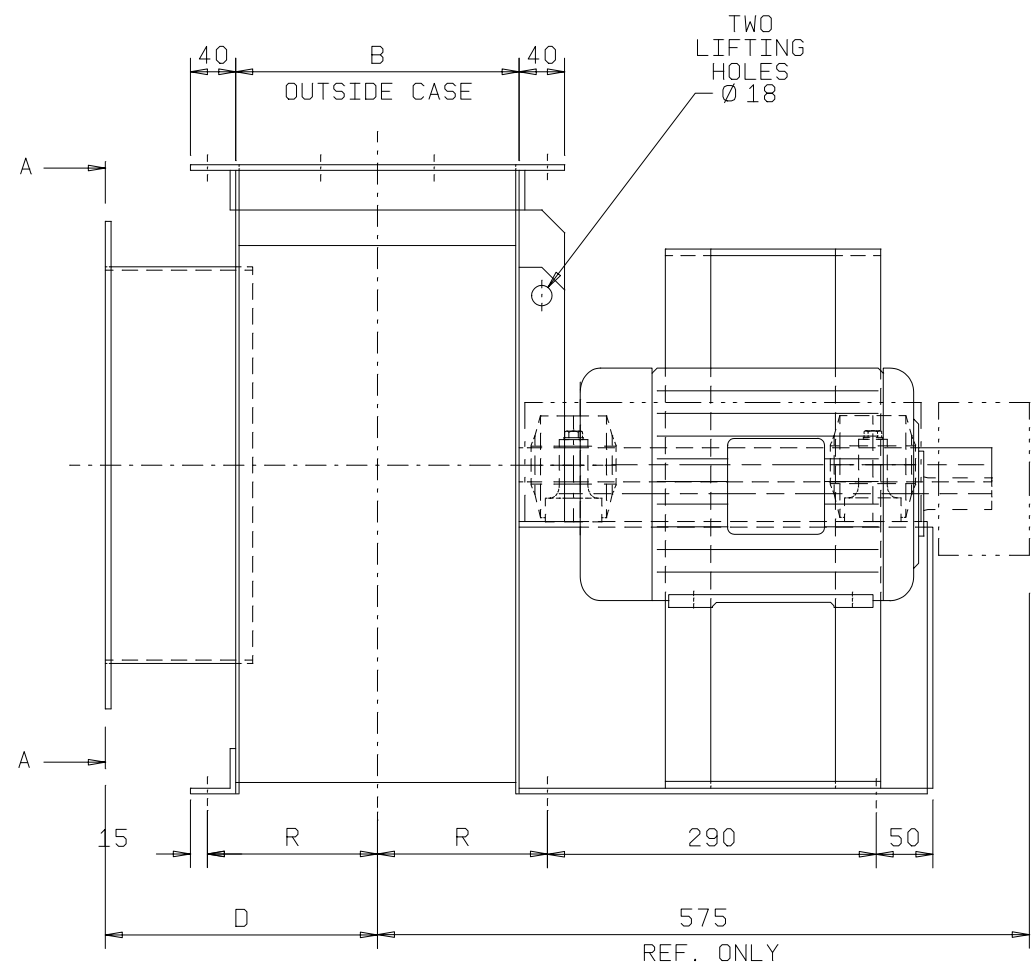
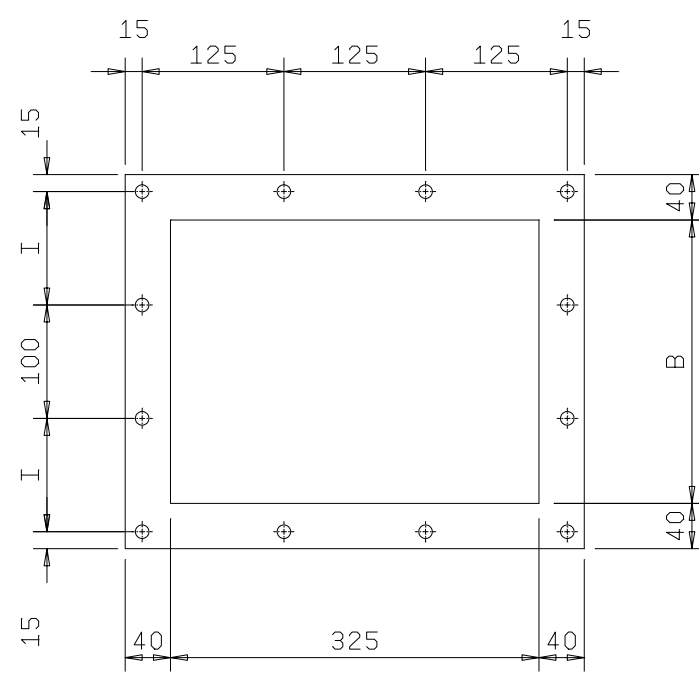


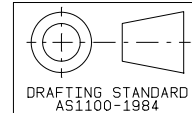
VIEW FROM DRIVE END



SUITS ALL MOTOR FRAMES TO D100L

CASING % WIDTH	B	D	I	R
40	190	210	70	120
60	210	220	80	130
80	230	230	90	140
100	250	240	100	150
120	270	250	110	160

THIS DRAWING, DESIGNS AND CONCEPTS IS THE SOLE PROPERTY OF AIRENG PTY. LTD. AND IS TO BE RETURNED ON REQUEST. IT IS TO BE TREATED AS CONFIDENTIAL AND NOT TO BE COPIED OR COMMUNICATED TO ANY OTHER PERSON WITHOUT THE WRITTEN CONSENT OF AIRENG PTY. LTD.. IT MAY ONLY BE USED FOR MANUFACTURE WHEN ACCOMPANIED BY A WRITTEN ORDER.



AIRENG PTY. LTD.
BAYSWATER VICTORIA AUSTRALIA
Ph. (613) 9761 3333 Fax (613) 9761 0550
ACN 060 593 164

DRAWN: VTG	TITLE: GENERAL ASSEMBLY
DATE: 18-03-99	D.5000 S.1225 ARR.9/Z CW90
CHECKED:	SUITS MOTOR SIZES TO D100L
DATE:	SCALE DRAWING NO. QC D5000 S1225 G-C9Z
REV. No.	A3