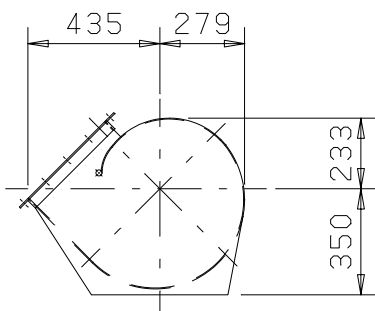
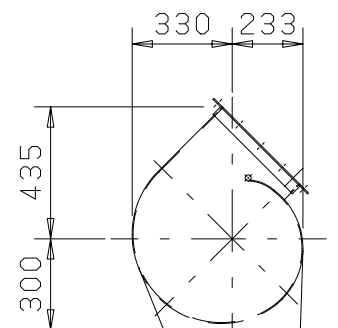


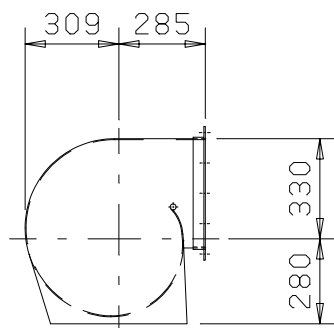
CW0 BH



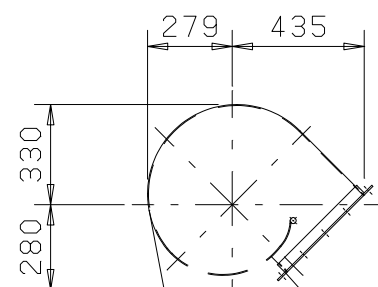
CW45 BAU



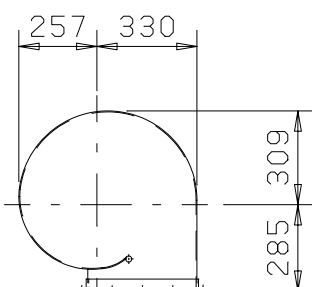
CW135 TAU



CW180 TH

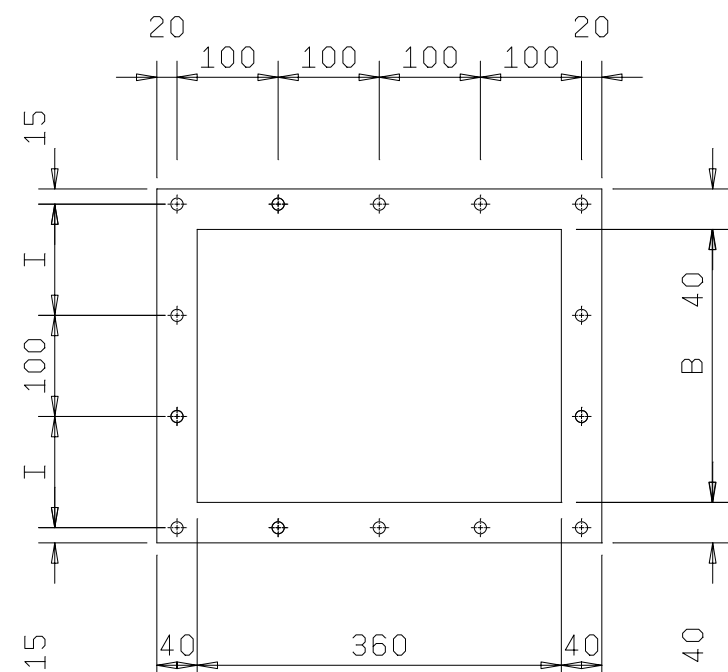


CW225 TAD

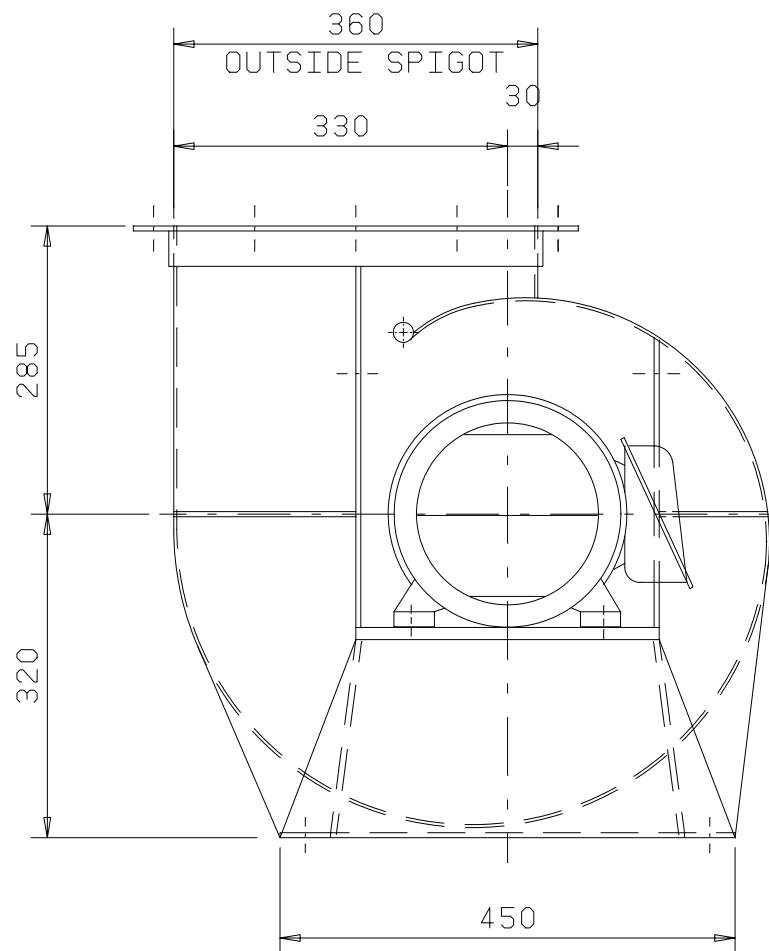


CW270 DB

VIEW FROM DRIVE END

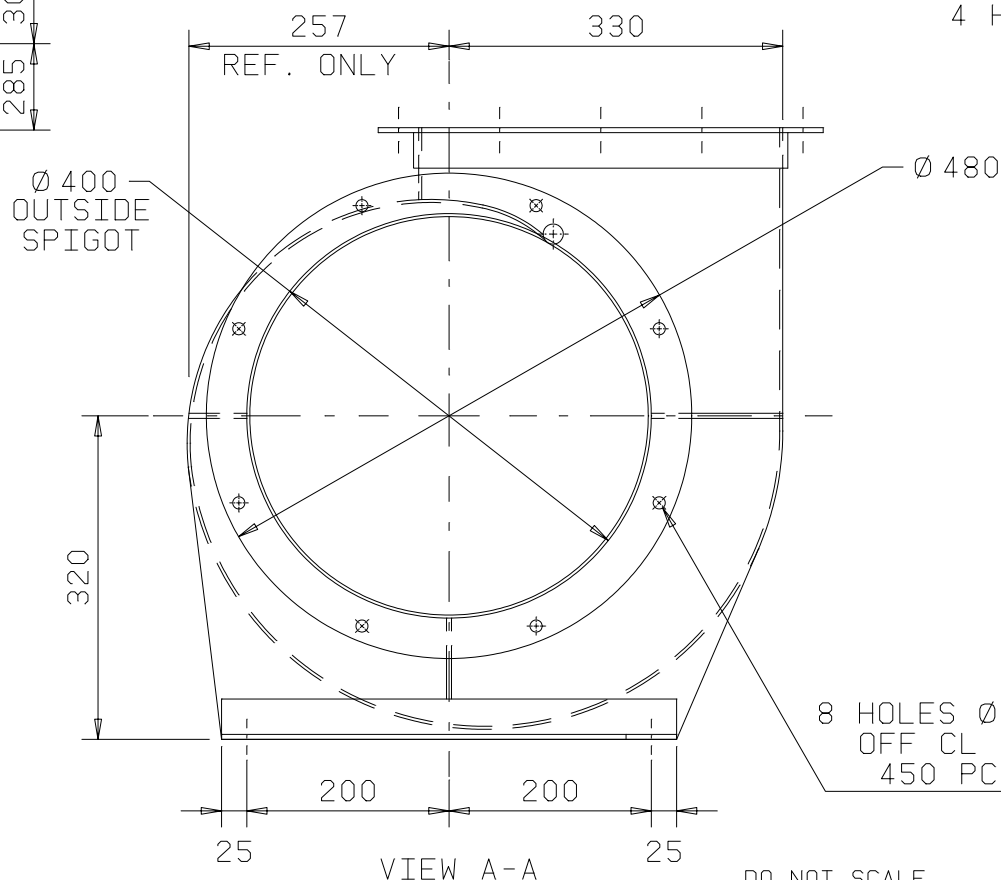


DISCHARGE FLANGE DETAIL
14 HOLES Ø 12mm



OUTSIDE SPIGOT

4 HOLES Ø 12mm



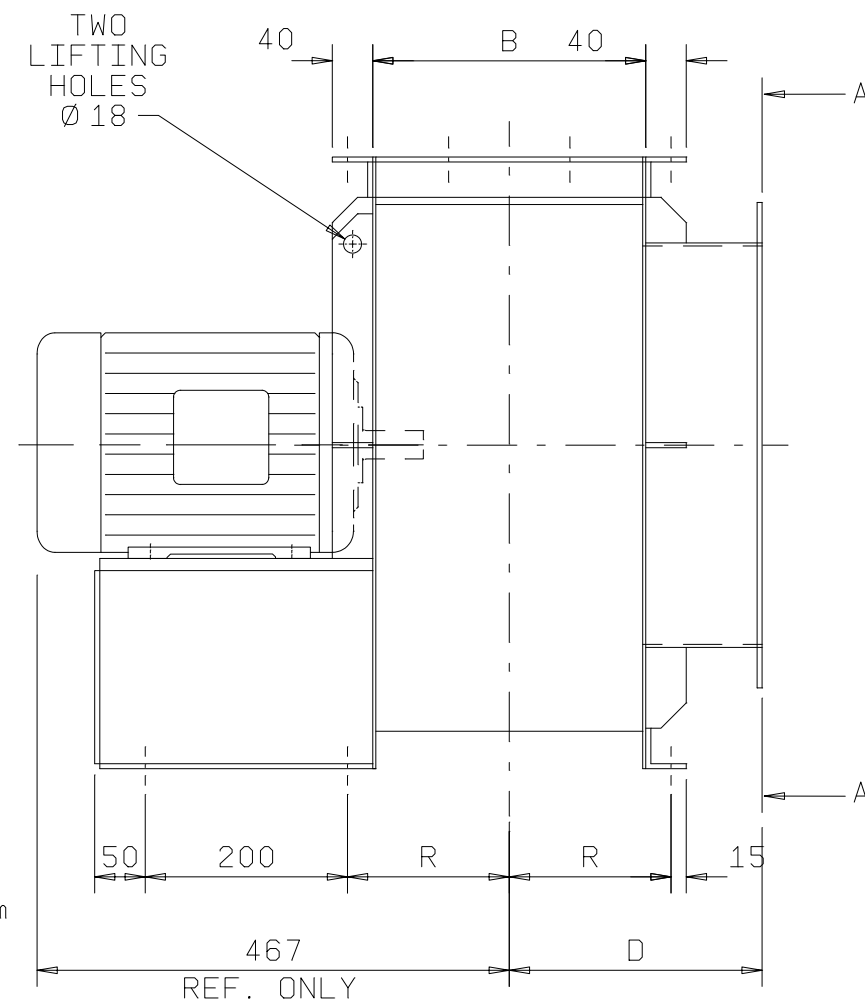
Ø 400
OUTSIDE
SPIGOT

8 HOLES Ø 12mm
OFF CL ON
450 PCD

VIEW A-A

DO NOT SCALE

THIS DRAWING, DESIGNS AND CONCEPTS IS THE SOLE PROPERTY OF AIRENG PTY. LTD. AND IS TO BE RETURNED ON REQUEST. IT IS TO BE TREATED AS CONFIDENTIAL AND NOT TO BE COPIED OR COMMUNICATED TO ANY OTHER PERSON WITHOUT THE WRITTEN CONSENT OF AIRENG PTY. LTD.. IT MAY ONLY BE USED FOR MANUFACTURE WHEN ACCOMPANIED BY A WRITTEN ORDER.



TWO
LIFTING
HOLES
Ø 18

SUITS ALL MOTOR FRAMES TO D132S

CASING % WIDTH	B	D	I	R
40	210	220	80	130
60	230	230	90	140
80	250	240	100	150
100	270	250	110	160
120	290	260	120	170

I	20/10/98	Corrected variables box & revised center heights.	VTG
Rev.	DATE	DESCRIPTION	SIGN.
		BAYSWATER VICTORIA AUSTRALIA Ph. (613) 9761 3333 Fax (613) 9761 0550 ACN 060 593 164	
DRAWN: RGT DATE: 5-10-95		TITLE: DESIGN 5000 SIZE 1350 ARR.4	
CHECKED: DATE:		SUITS MOTOR SIZES TO D132S	
CAD FILE No.		SCALE	DRAWING NO.
		QC D5000 S1350 G-C4	A3