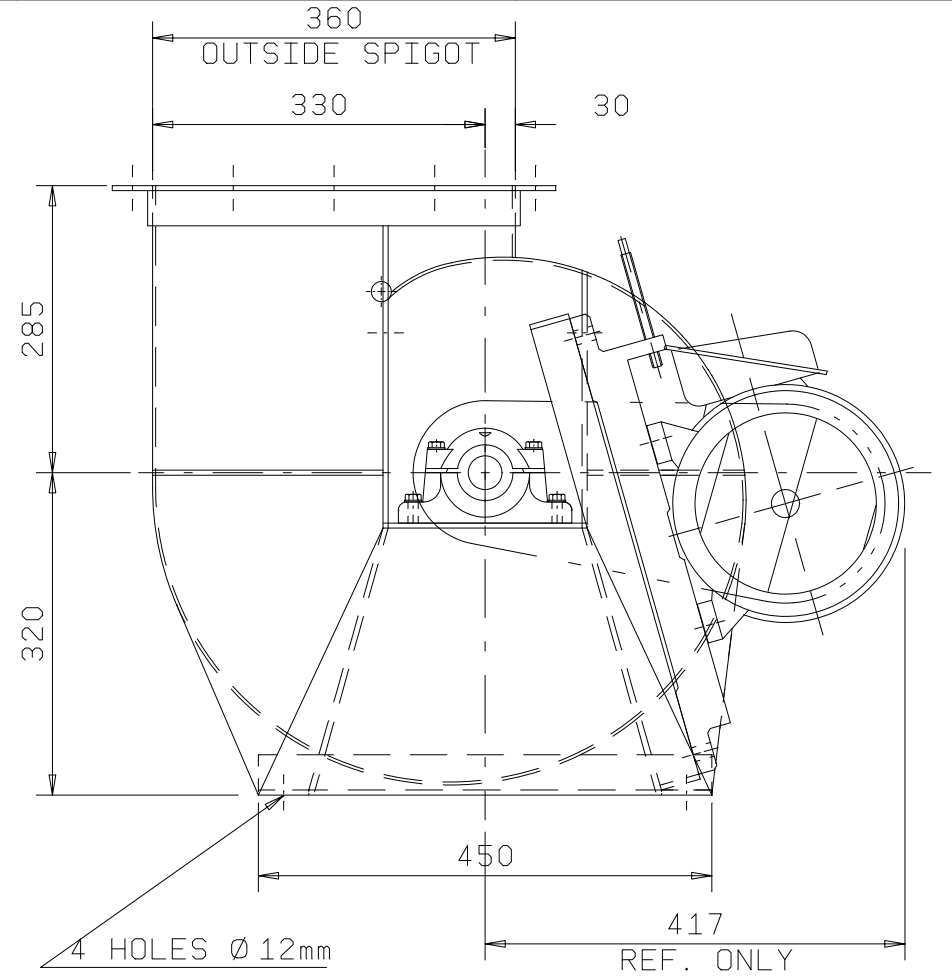
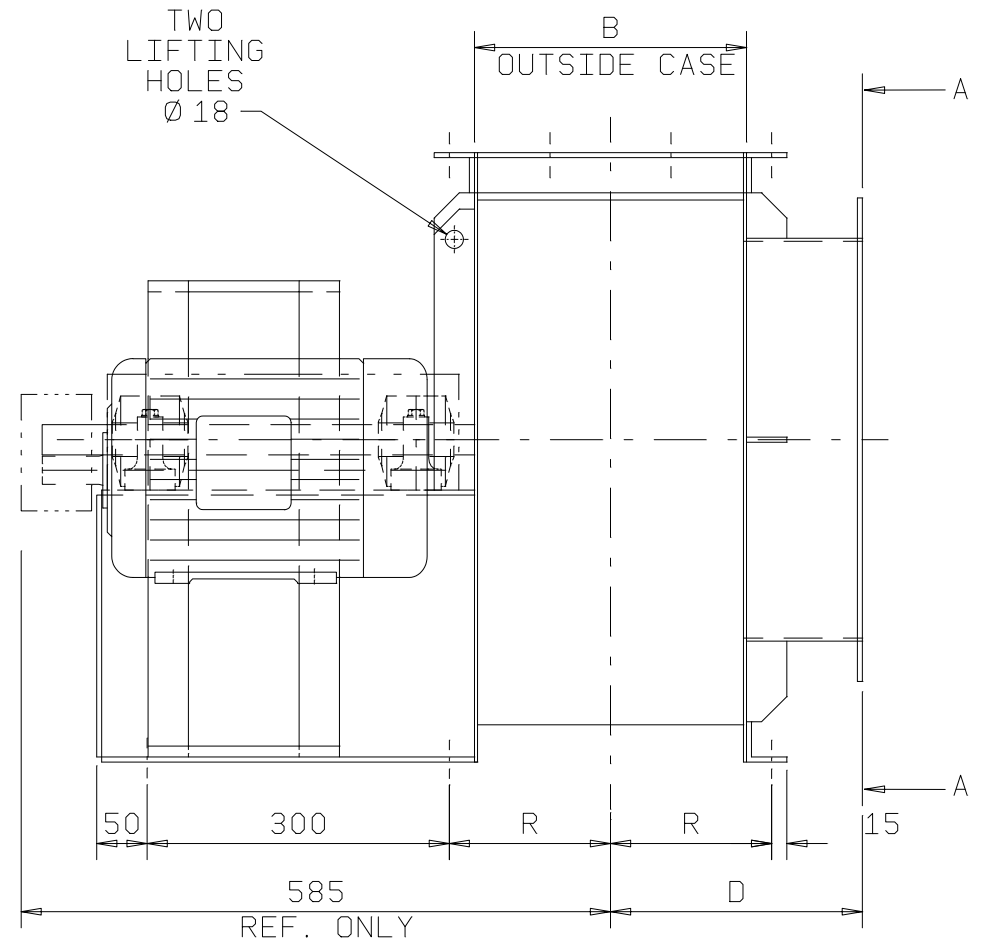
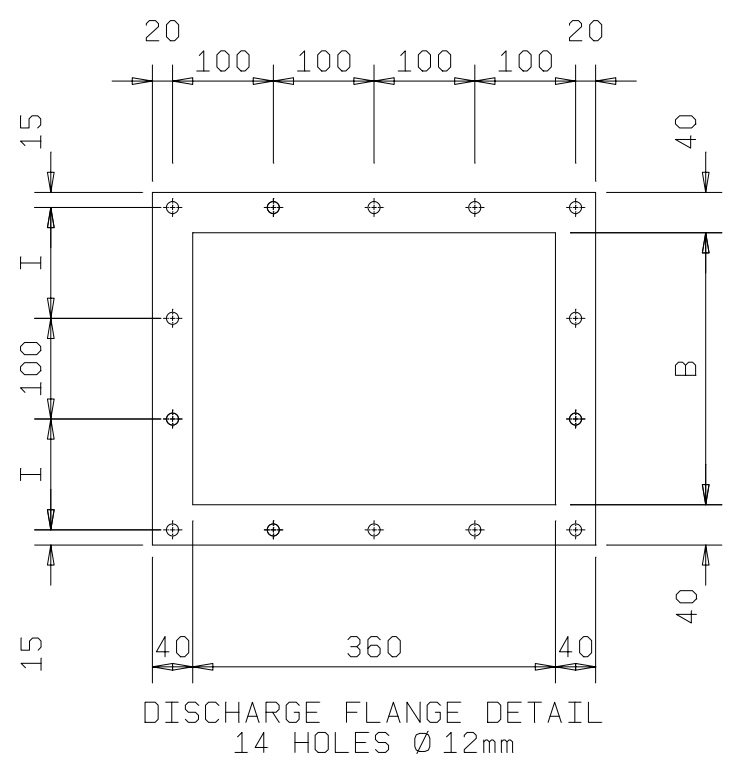
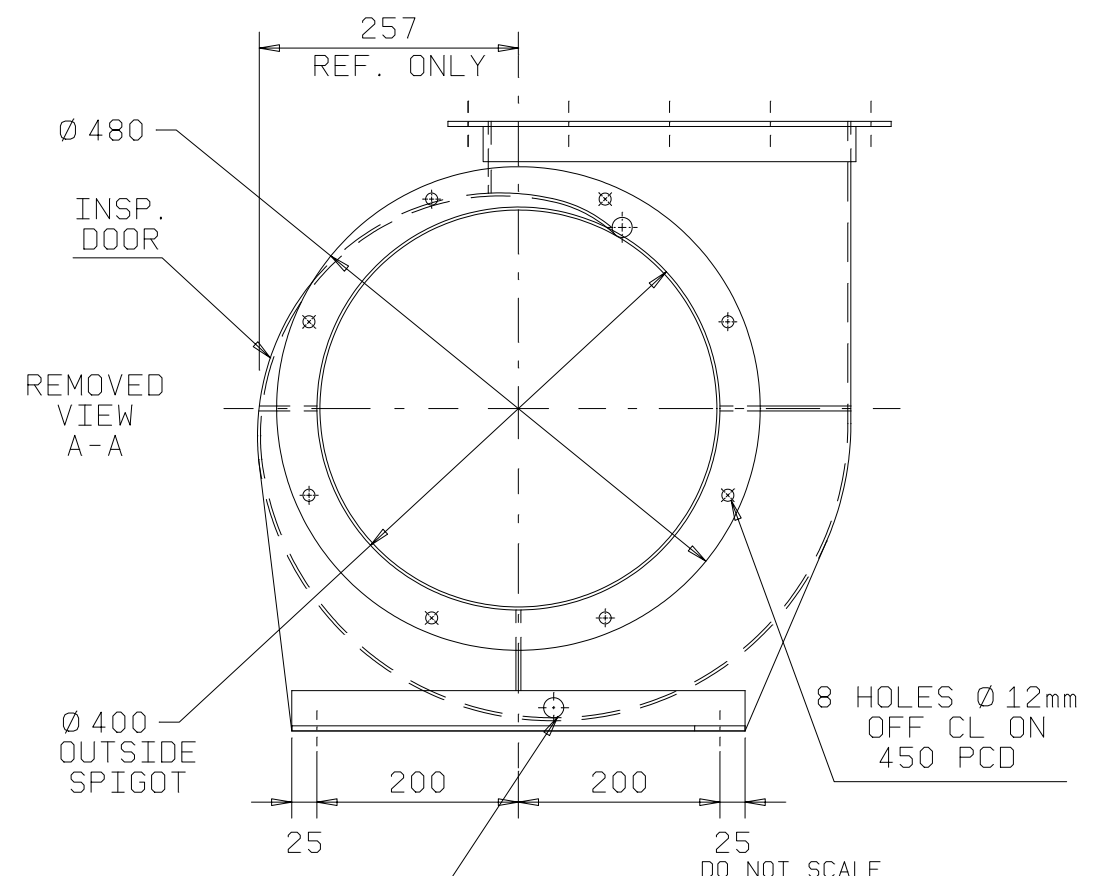


VIEW FROM DRIVE END



SUITS ALL MOTOR FRAMES TO D112M

CASING % WIDTH	B	D	I	R
40	210	220	80	130
60	230	230	90	140
80	250	240	100	150
100	270	250	110	160
120	290	260	120	170



THIS DRAWING, DESIGNS AND CONCEPTS IS THE SOLE PROPERTY OF AIRENG PTY. LTD. AND IS TO BE RETURNED ON REQUEST. IT IS TO BE TREATED AS CONFIDENTIAL AND NOT TO BE COPIED OR COMMUNICATED TO ANY OTHER PERSON WITHOUT THE WRITTEN CONSENT OF AIRENG PTY. LTD.. IT MAY ONLY BE USED FOR MANUFACTURE WHEN ACCOMPANIED BY A WRITTEN ORDER.

		BAYSWATER VICTORIA AUSTRALIA Ph. (613) 9761 3333 Fax (613) 9761 0550 ACN 060 583 164	
	DRAWN: VTG DATE: 18-12-98 CHECKED: DATE:	TITLE: DESIGN 5000 SIZE 1350 ARR.9/W CW90 SUITS MOTOR SIZES TO D112M	
CAD FILE No.	REV. No.	SCALE	DRAWING NO. QC D5000 S1350 G-C9W

**A3**