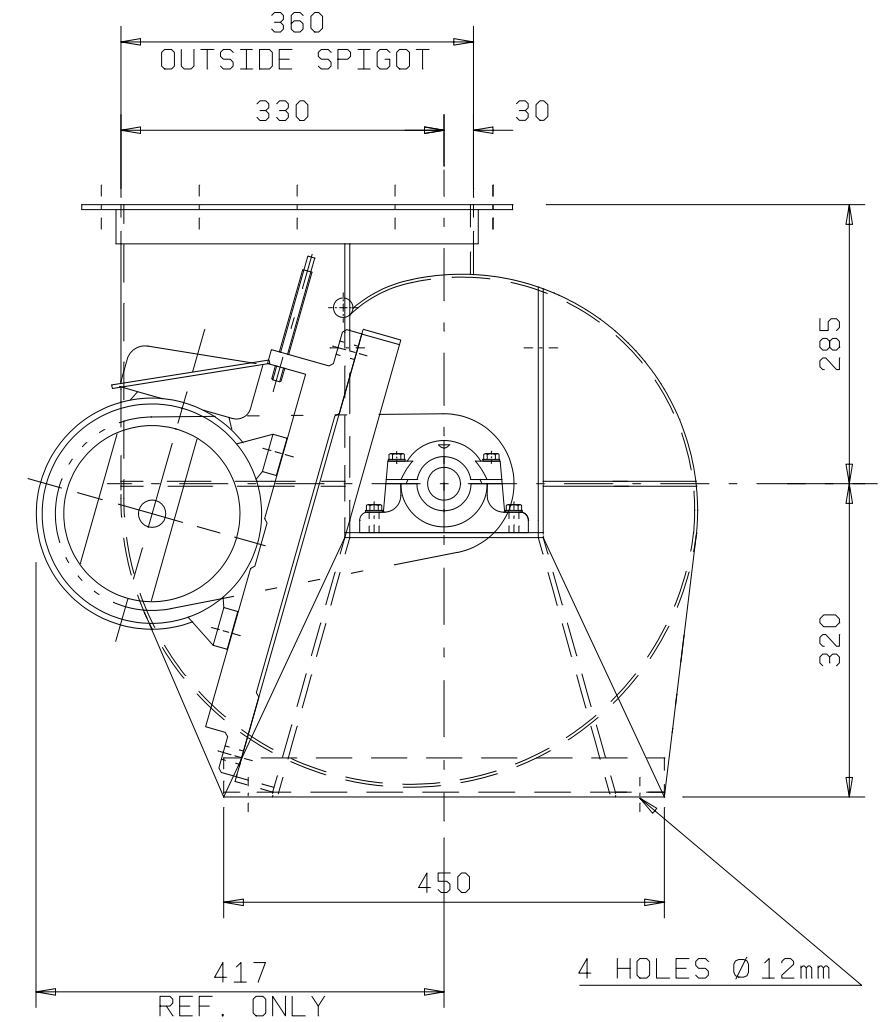
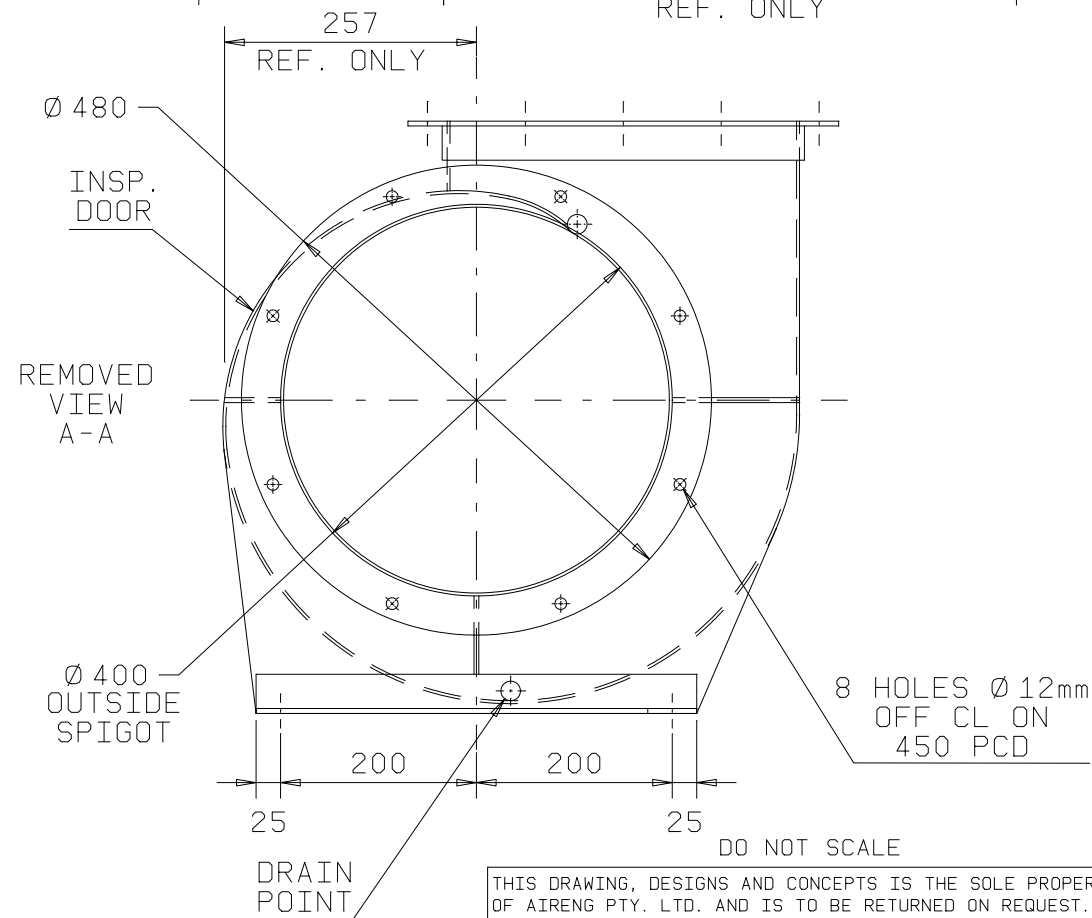
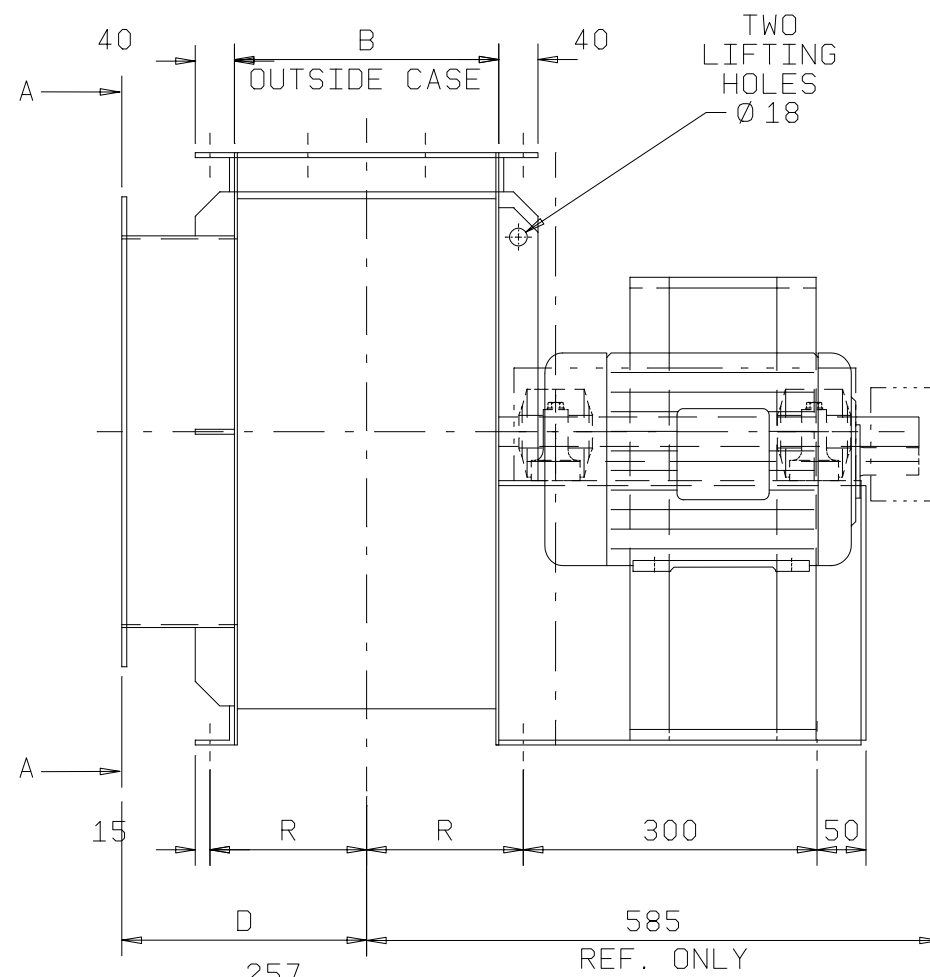
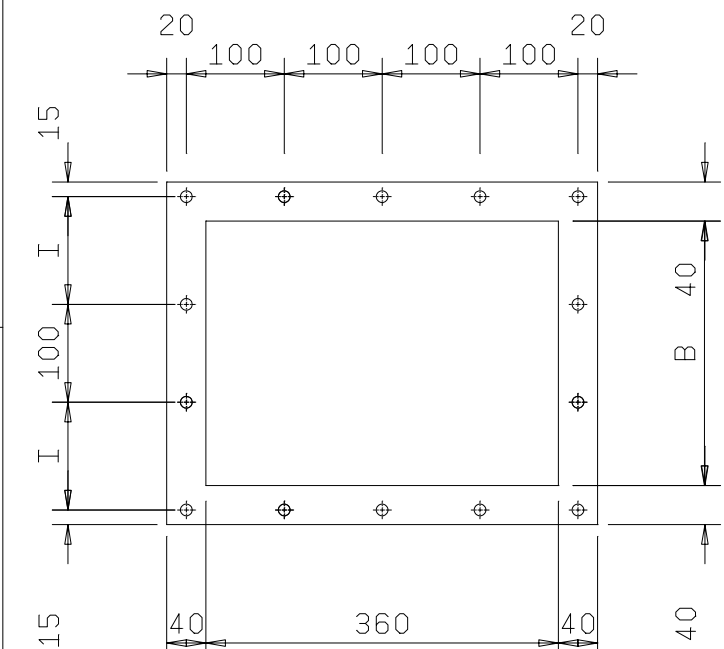


VIEW FROM DRIVE END



SUITS ALL MOTOR FRAMES TO D112M

CASING % WIDTH	B	D	I	R
40	210	220	80	130
60	230	230	90	140
80	250	240	100	150
100	270	250	110	160
120	290	260	120	170

 BAYSWATER VICTORIA AUSTRALIA Ph. (613) 9761 3333 Fax (613) 9761 0550 ACN 060 593 164	DRAWN: VTG DATE: 18-03-99	TITLE: GENERAL ASSEMBLY D.5000 S.1350 ARR.9/Z CW90
	CHECKED: DATE:	SUITS MOTOR SIZES TO D112M
CAD FILE No.	REV. No.	SCALE: DRAWING NO. GC D5000 S1350 G-C9Z

THIS DRAWING, DESIGNS AND CONCEPTS IS THE SOLE PROPERTY OF AIRENG PTY. LTD. AND IS TO BE RETURNED ON REQUEST. IT IS TO BE TREATED AS CONFIDENTIAL AND NOT TO BE COPIED OR COMMUNICATED TO ANY OTHER PERSON WITHOUT THE WRITTEN CONSENT OF AIRENG PTY. LTD.. IT MAY ONLY BE USED FOR MANUFACTURE WHEN ACCOMPANIED BY A WRITTEN ORDER.