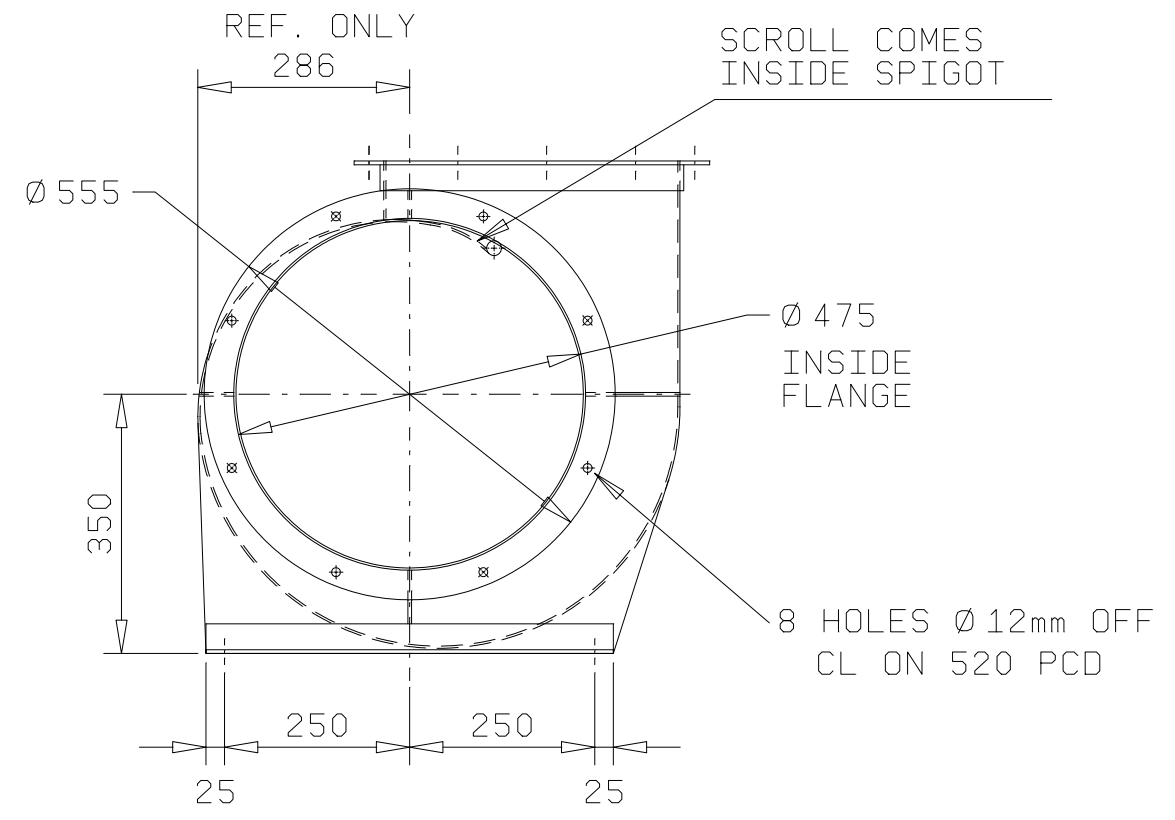
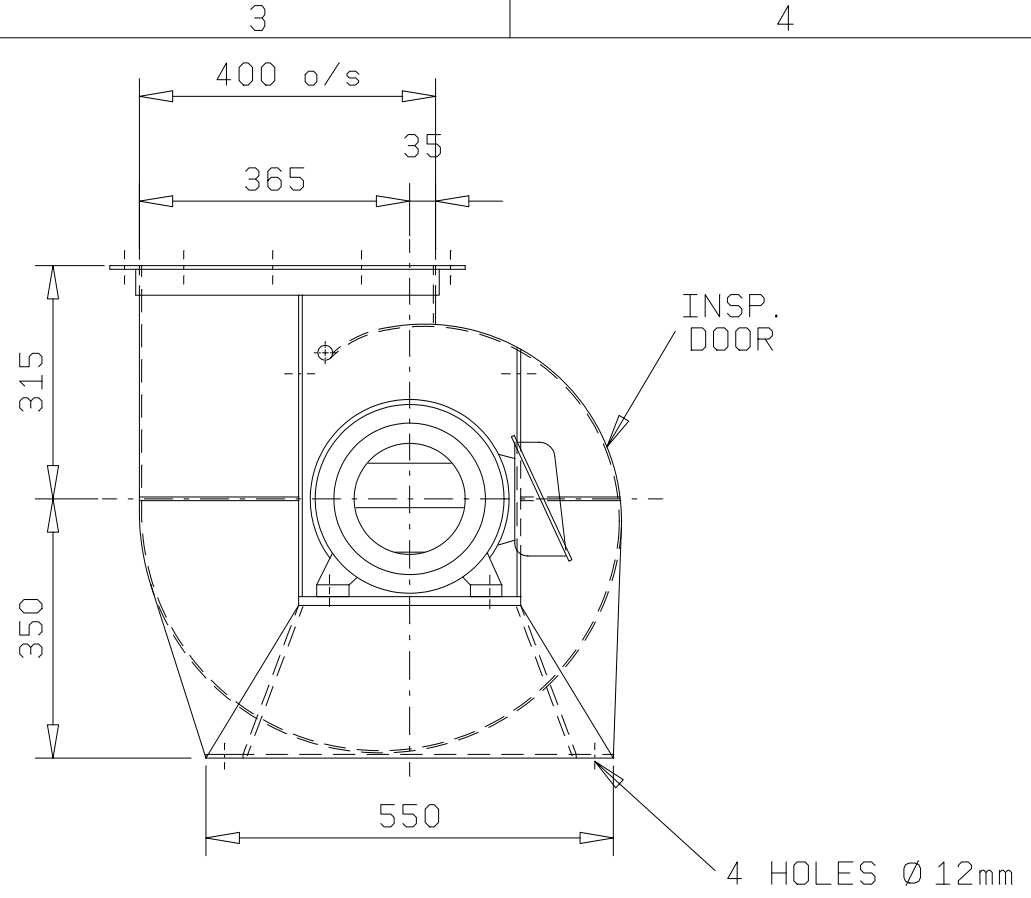
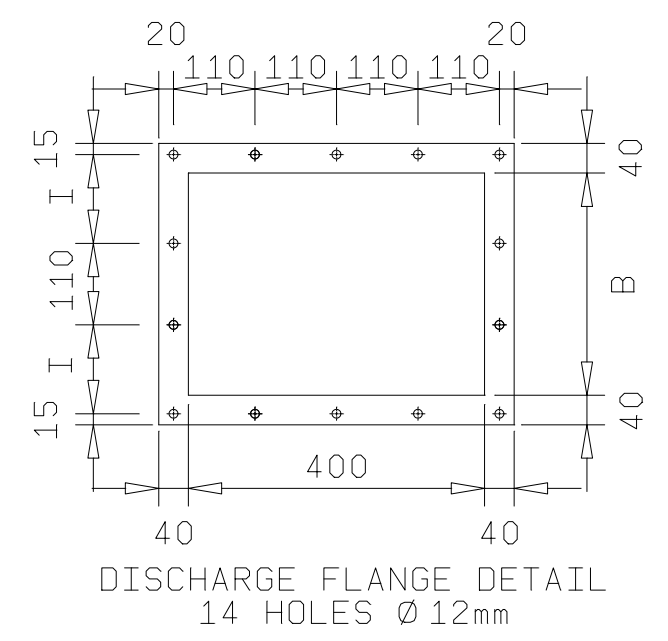
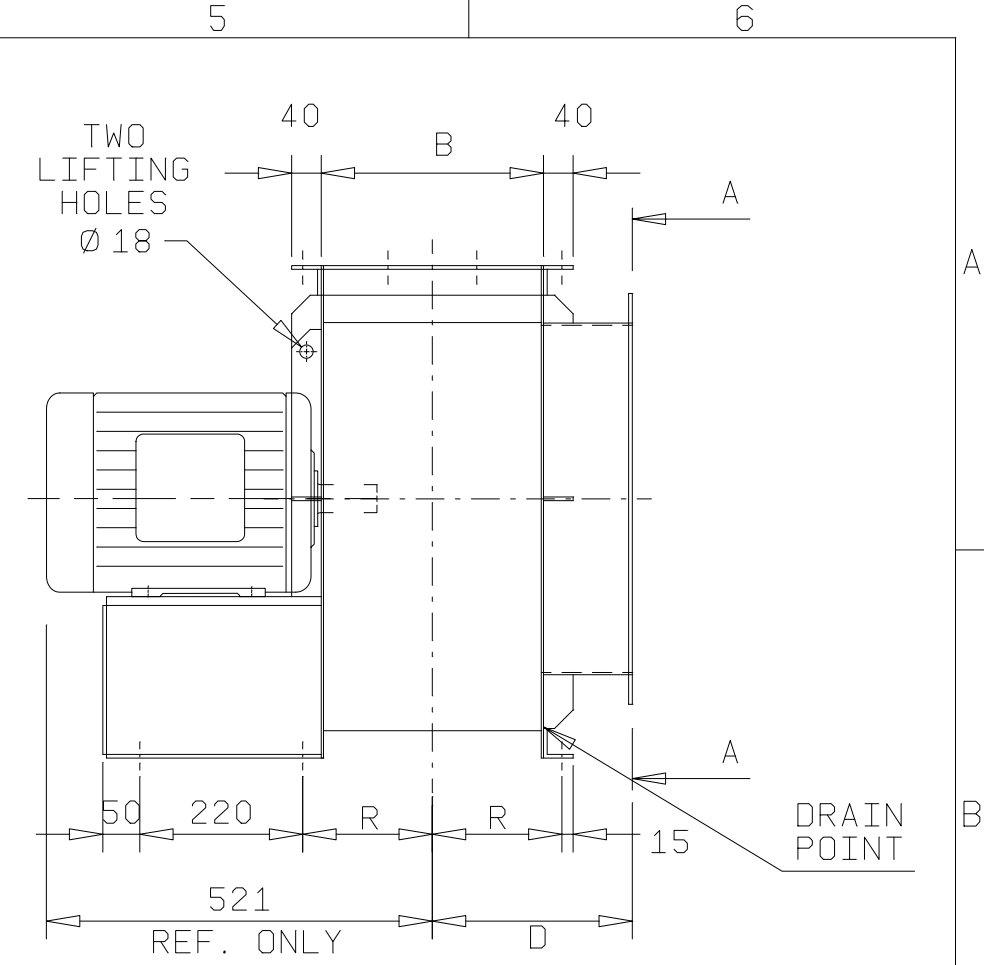


VIEW FROM DRIVE END



VIEW A-A



29/05/00 Rev.A I @ 120% was 140 now 130

TOLERANCES EXCEPT SHOWN SEPARATELY	
MACHINED SURFACES	DECIMALS ±0.1mm INTEGERS ±0.5mm SURFACES 1.6 OR N7
FABRICATIONS	OTHER 3.2 OR N8
TOLERANCES	HOLE CENTRES UP TO 1000mm ±1mm ABOVE 1000mm ±2mm OTHER DIMENSIONS UP TO 1000mm ±2mm ABOVE 1000mm ±3mm SHALL BE NON CUMULATIVE

Dimensions without tolerances and normal geometrical tolerances for machined items			
Diameters	Tol	Length	
0 to 100	±0.1	0 to 50	±0.10/100 straightness // ±0.10/100 parallelism
100 to 500	±0.2	50 to 100	±0.10/100 flatness L ±0.10/100 perpendicular
500 to 1500	±0.3	100 to 250	±0.4 250 to 500
1500 & more	±0.4	500 to 1500	±0.10 roundness / ±0.10/100 runout
	±0.6	1500 & more	±0.10/100 cylindricity © ±0.10/100 concentricity
	±0.8		
	±1.0		

Unless otherwise stated, the sharp edges must be cut

DO NOT SCALE

THIS DRAWING, DESIGNS AND CONCEPTS IS THE SOLE PROPERTY OF AIRENG PTY. LTD. AND IS TO BE RETURNED ON REQUEST. IT IS TO BE TREATED AS CONFIDENTIAL AND NOT TO BE COPIED OR COMMUNICATED TO ANY OTHER PERSON WITHOUT THE WRITTEN CONSENT OF AIRENG PTY. LTD.. IT MAY ONLY BE USED FOR MANUFACTURE WHEN ACCOMPANIED BY A WRITTEN ORDER.

DRAFTING STANDARD AS1100-1984

CAD FILE No.

QIKDRAW

AIRENG PTY. LTD. BAYSWATER VICTORIA AUSTRALIA Ph. (613) 9761 3333 Fax (613) 9761 0550 ACN 060 583 164

DRAWN: MWG DATE: 25-7-95

CHECKED: DATE:

REV. No. SCALE DRAWING NO. QC D5000 S1500 G-C4

TITLE: GENERAL ASSEMBLY D.5000 S.1500 ARR.4/W CW90 SUITS MOTOR SIZES TO D132S

A3

CASING % WIDTH	B	D	I	R
40	240	240	90	145
60	260	250	100	155
80	280	260	110	165
100	300	270	120	175
120	320	280	130	185