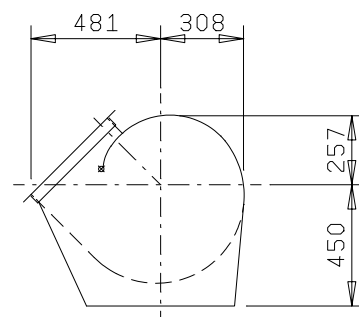
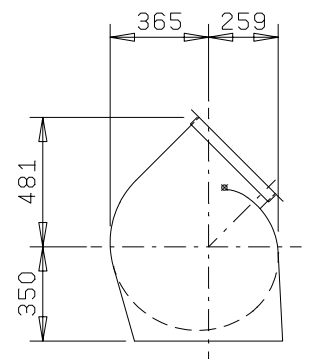


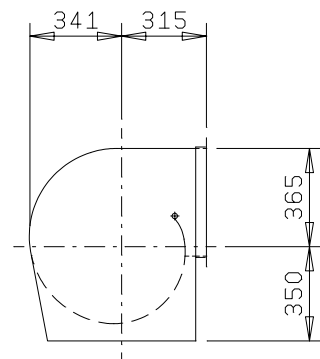
CW0 BH



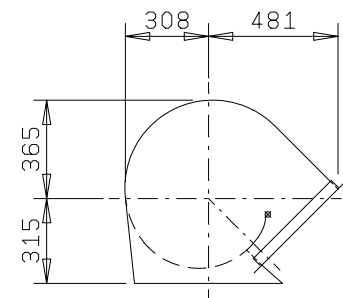
CW45 BAU



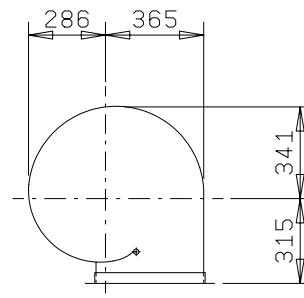
CW135 TAU



CW180 TH

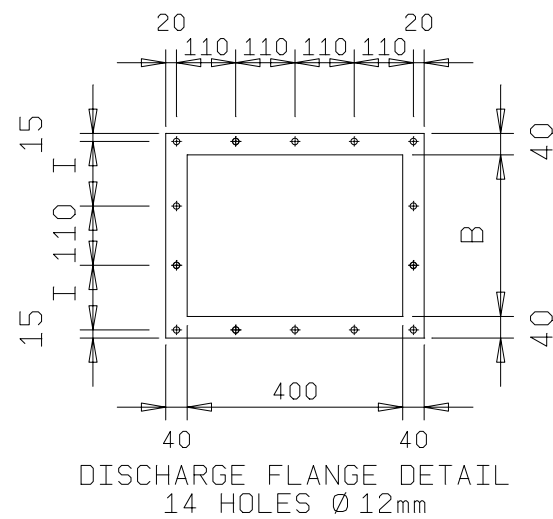


CW225 TAD

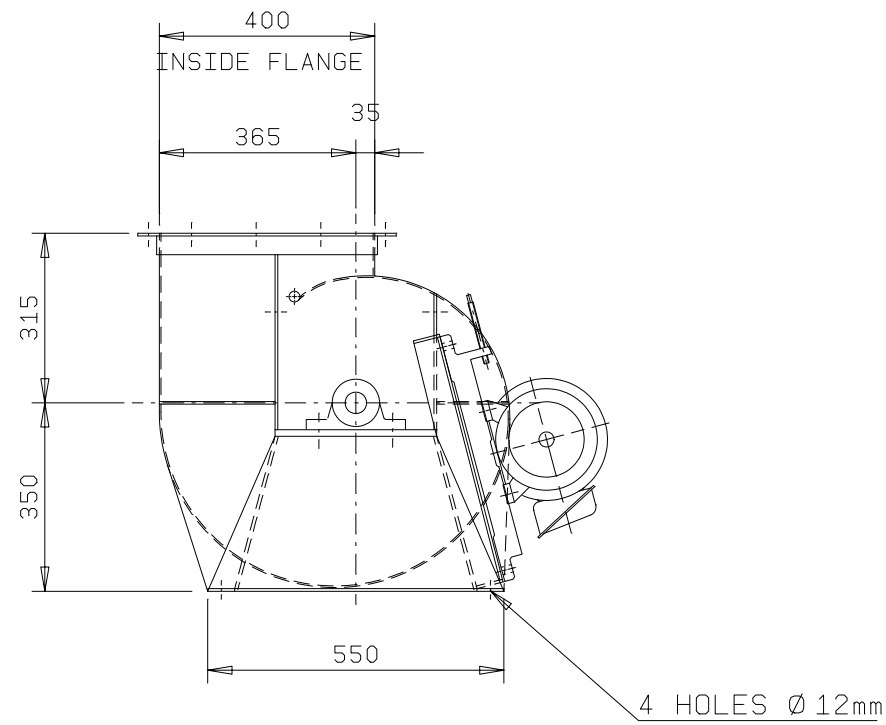


CW270 DB

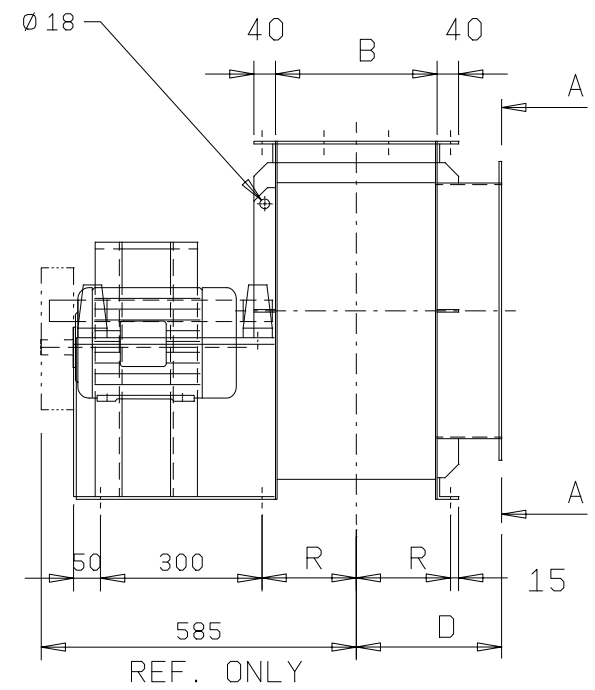
VIEW FROM DRIVE END



DISCHARGE FLANGE DETAIL
14 HOLES Ø 12mm

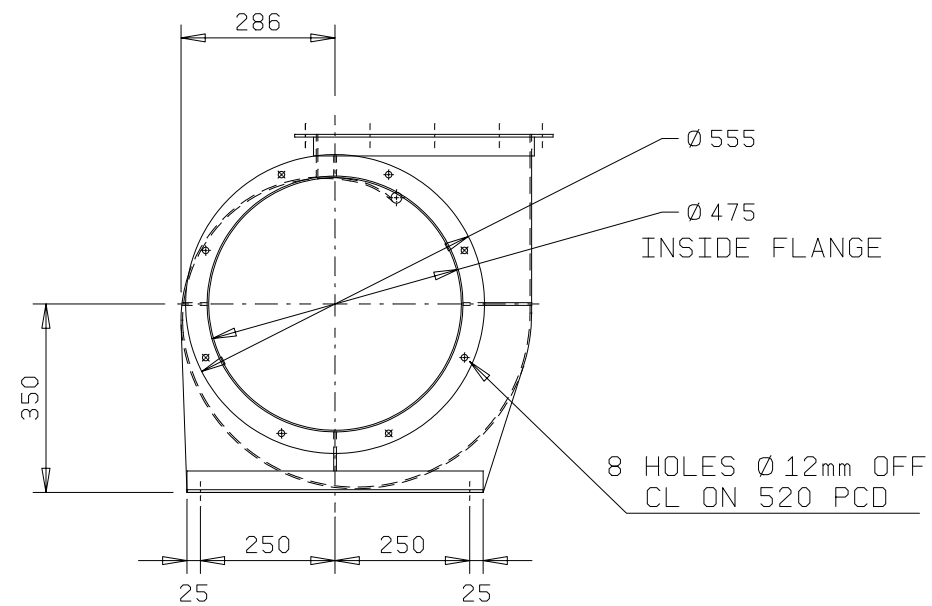


TWO LIFTING HOLES



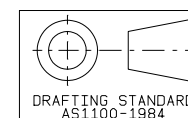
SUITS ALL MOTOR FRAMES TO D112M

CASING % WIDTH	B	D	I	R
40	240	240	90	145
60	260	250	100	155
80	280	260	110	165
100	300	270	120	175
120	320	280	130	185



REMOVED VIEW A-A

29/05/00 Rev.A I @ 120% was 140 now 130



DRAFTING STANDARD
AS1100-1984

CAD FILE No.



AIRENG PTY. LTD.

BAYSWATER VICTORIA AUSTRALIA
Ph. (613) 9761 3333 Fax (613) 9761 0550
ACN 060 593 164

DRAWN: MWG

DATE: 29-10-96

CHECKED:

DATE:

REV. No.

A

TITLE: GENERAL ASSEMBLY
D.5000 S.1500 ARR.9/W CW90

SUITS MOTOR SIZES TO D112M

SCALE: DRAWING NO. QC D5000 S1500 G-C9W

A3

DO NOT SCALE
THIS DRAWING, DESIGNS AND CONCEPTS IS THE SOLE PROPERTY OF AIRENG PTY. LTD. AND IS TO BE RETURNED ON REQUEST. IT IS TO BE TREATED AS CONFIDENTIAL AND NOT TO BE COPIED OR COMMUNICATED TO ANY OTHER PERSON WITHOUT THE WRITTEN CONSENT OF AIRENG PTY. LTD.. IT MAY ONLY BE USED FOR MANUFACTURE WHEN ACCOMPANIED BY A WRITTEN ORDER.