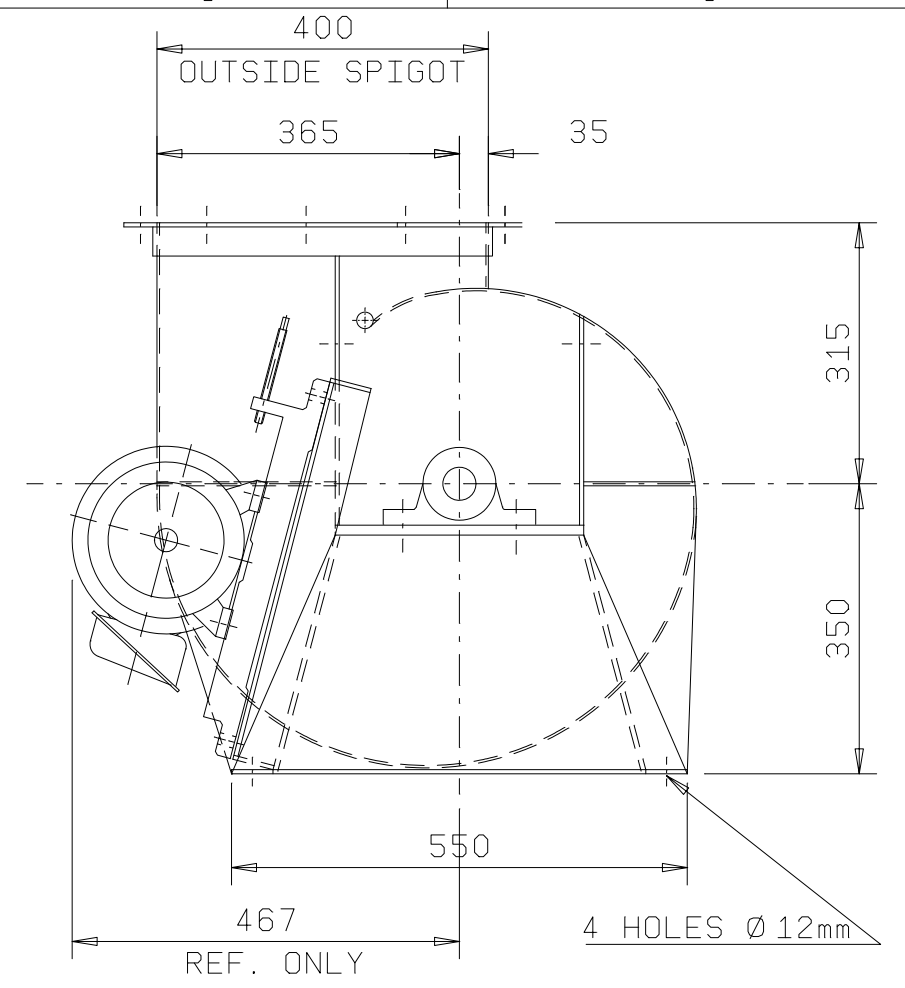
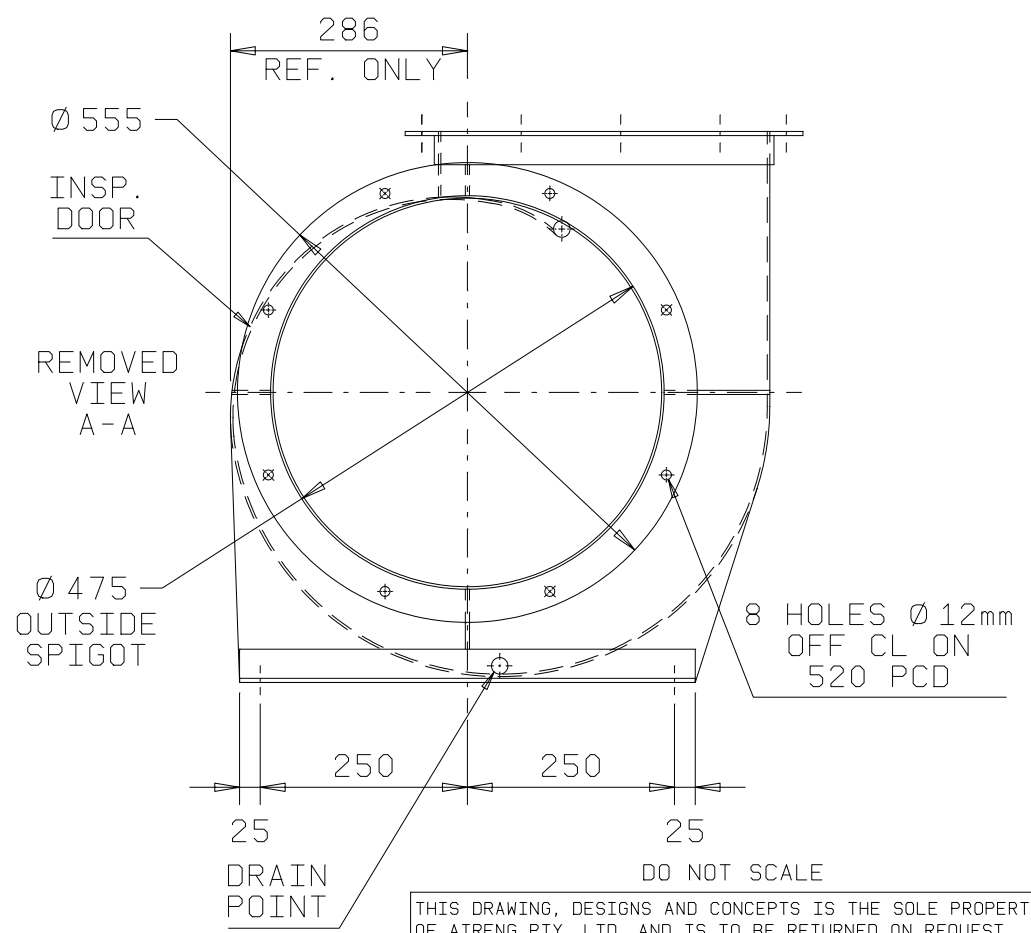
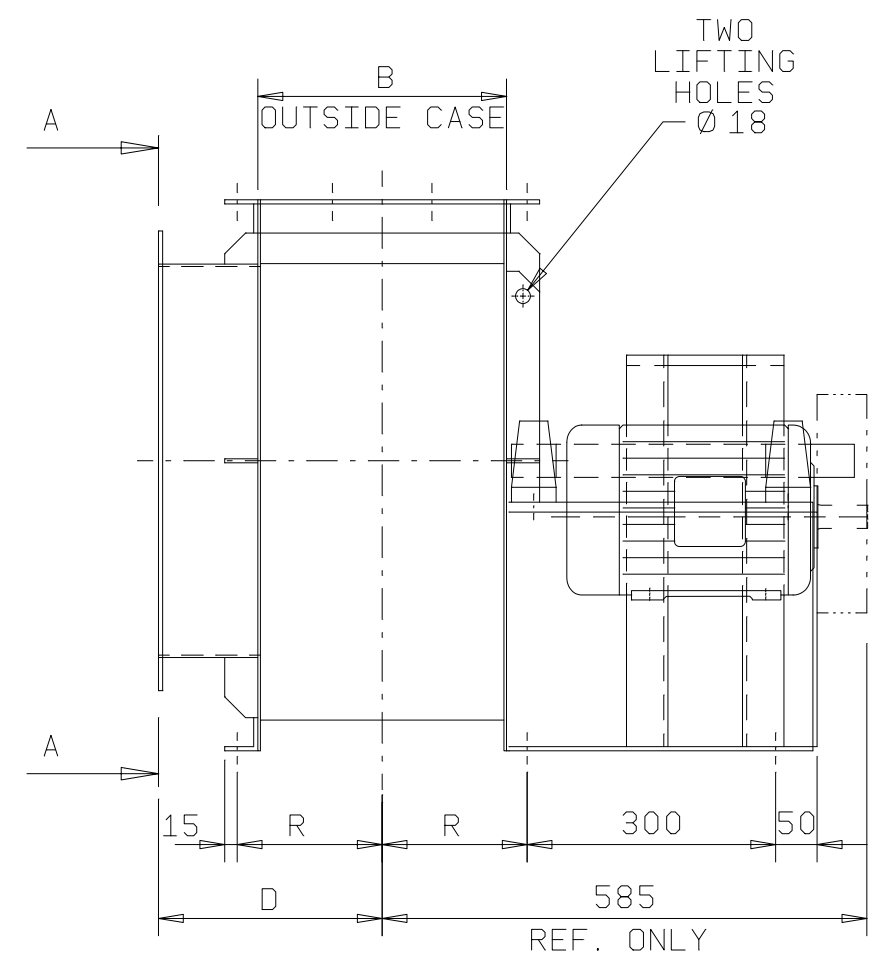
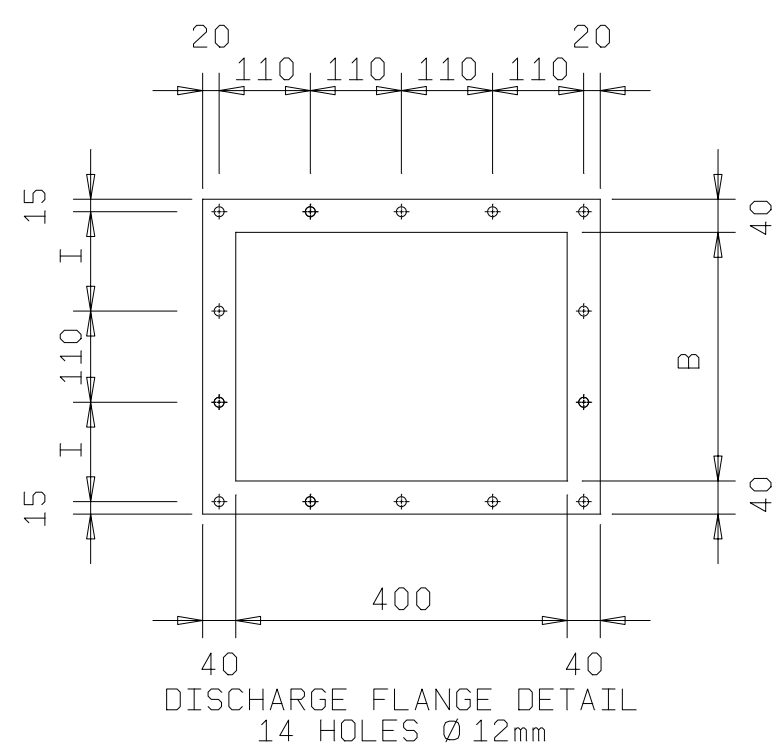


VIEW FROM DRIVE END



SUITS ALL MOTOR FRAMES TO D112M

CASING % WIDTH	B	D	I	R
40	240	240	90	145
60	260	250	100	155
80	280	260	110	165
100	300	270	120	175
120	320	280	130	185

29/05/00 Rev.A I @ 120% was 140 now 130

	BAYSWATER VICTORIA AUSTRALIA Ph. (613) 9761 3333 Fax (613) 9761 0550 ACN 060 593 164	
	DRAWN: VTG DATE: 18-03-99 CHECKED: DATE:	TITLE: ASSEMBLY D5000 S1500 ARR.9/Z CW90 SUITS MOTOR SIZES TO D112M
DRAFTING STANDARD AS1100-1984 CAD FILE No.	REV. No. A	SCALE DRAWING NO. QC D5000 S1500 G-C9Z

THIS DRAWING, DESIGNS AND CONCEPTS IS THE SOLE PROPERTY OF AIRENG PTY. LTD. AND IS TO BE RETURNED ON REQUEST. IT IS TO BE TREATED AS CONFIDENTIAL AND NOT TO BE COPIED OR COMMUNICATED TO ANY OTHER PERSON WITHOUT THE WRITTEN CONSENT OF AIRENG PTY. LTD.. IT MAY ONLY BE USED FOR MANUFACTURE WHEN ACCOMPANIED BY A WRITTEN ORDER.

A3