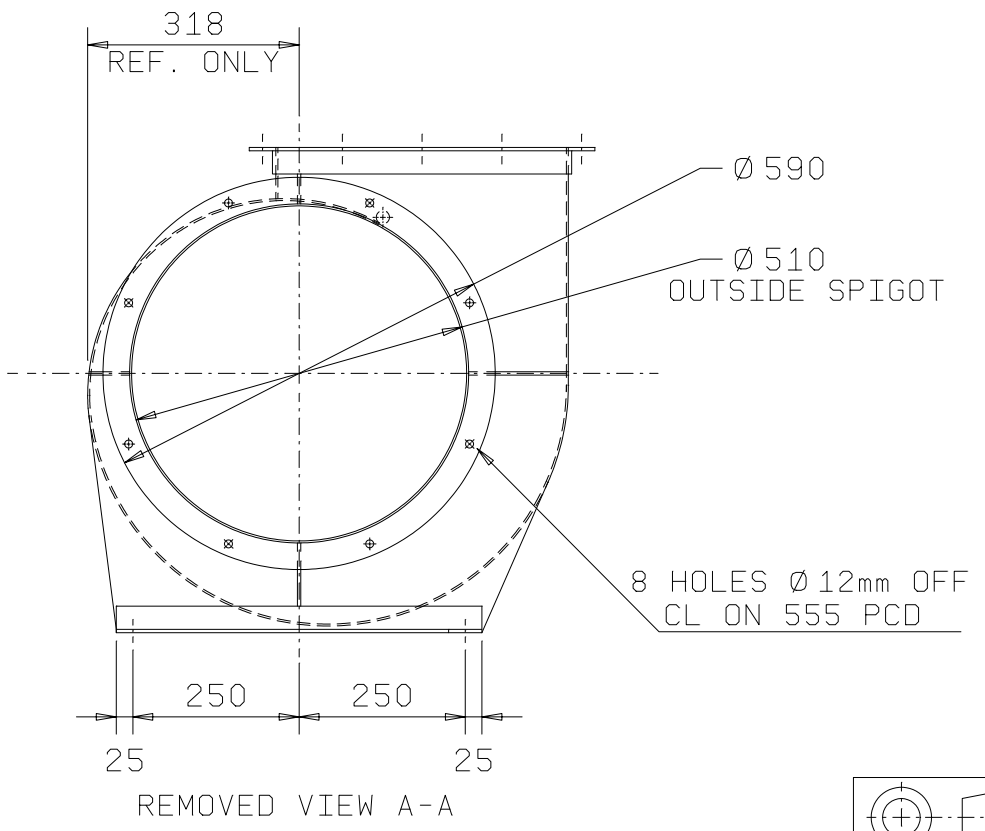
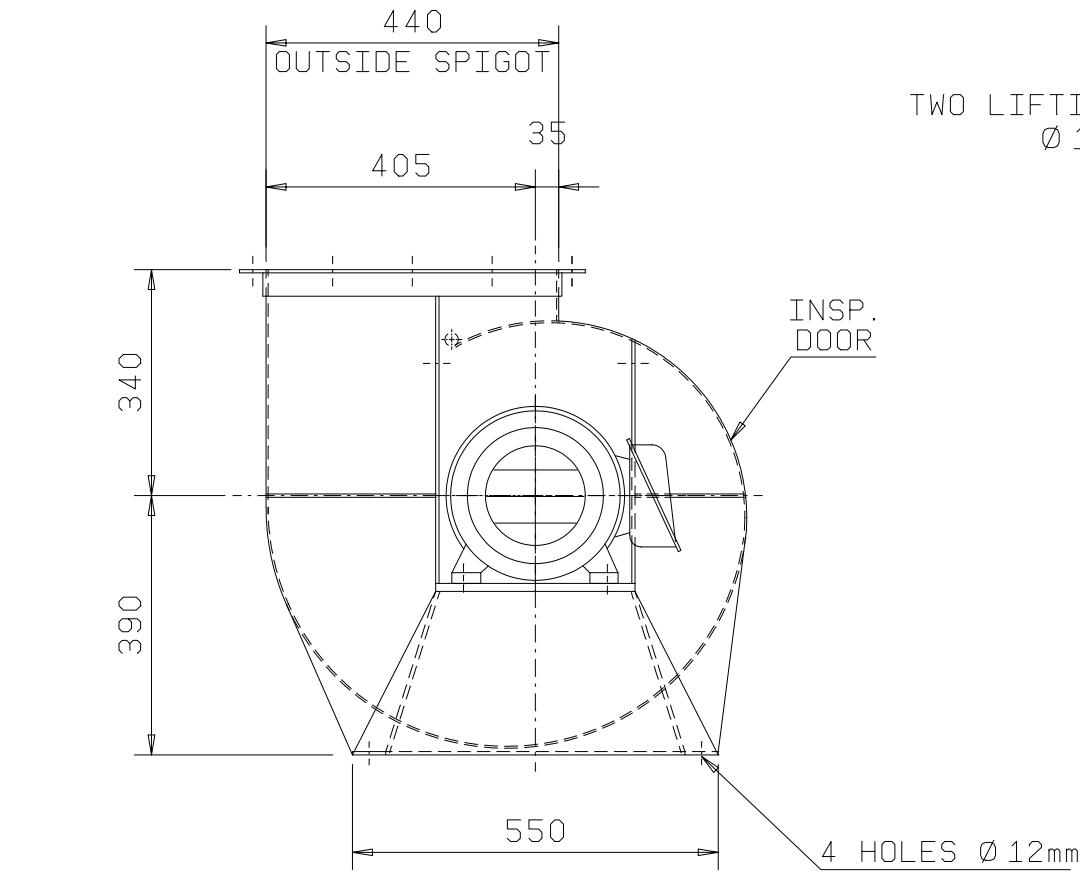
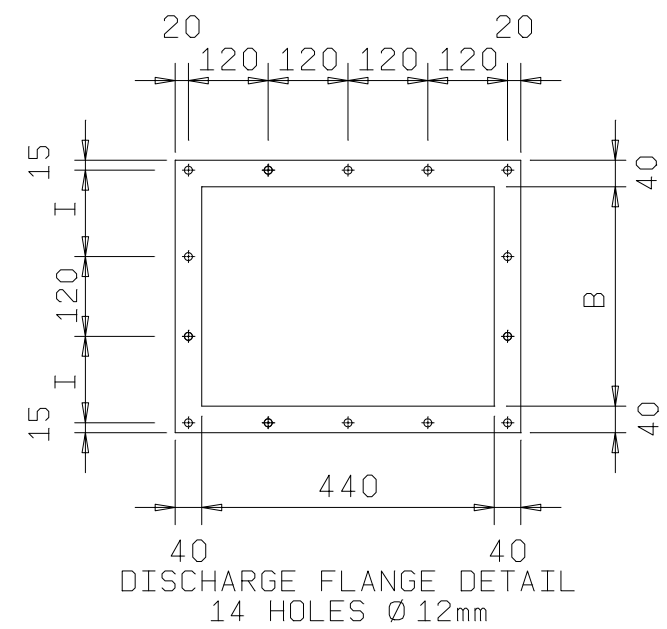
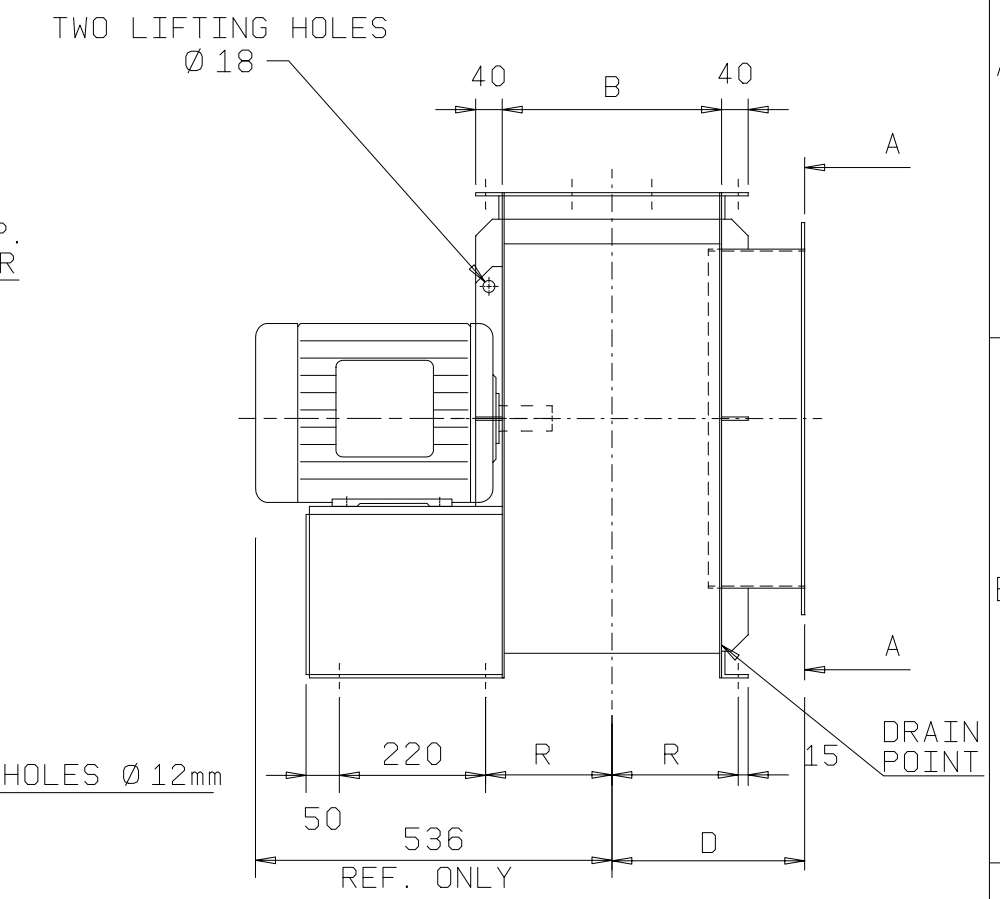


VIEW FROM DRIVE END



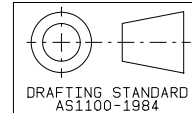
DO NOT SCALE

THIS DRAWING, DESIGNS AND CONCEPTS IS THE SOLE PROPERTY OF AIRENG PTY. LTD. AND IS TO BE RETURNED ON REQUEST. IT IS TO BE TREATED AS CONFIDENTIAL AND NOT TO BE COPIED OR COMMUNICATED TO ANY OTHER PERSON WITHOUT THE WRITTEN CONSENT OF AIRENG PTY. LTD.. IT MAY ONLY BE USED FOR MANUFACTURE WHEN ACCOMPANIED BY A WRITTEN ORDER.



SUITS ALL MOTOR FRAMES TO D132S

CASING % WIDTH	B	D	I	R
40	270	260	100	160
60	290	270	110	170
80	310	280	120	180
100	330	290	130	190
120	350	300	140	200



AIRENG PTY. LTD. BAYSWATER VICTORIA AUSTRALIA
Ph. (613) 9761 3333 Fax (613) 9761 0550
ACN 060 593 164

DRAWN: MWG TITLE: GENERAL ASSEMBLY
DATE: 25-7-95 D.5000 SIZE 1650 ARR.4 CW90
CHECKED: SUITS MOTOR SIZES TO D132S
DATE: SCALE DRAWING NO.
REV. No. QC D5000 S1650 G-C4



A3