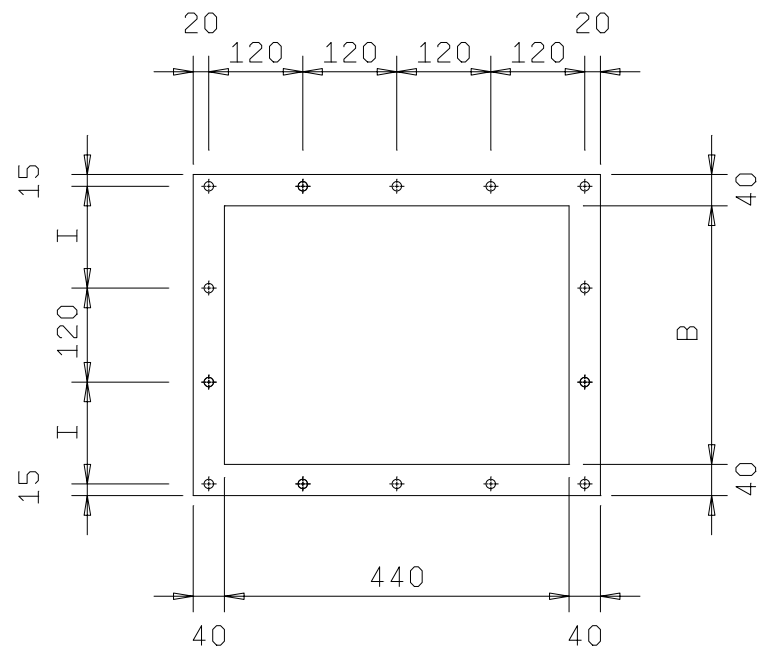
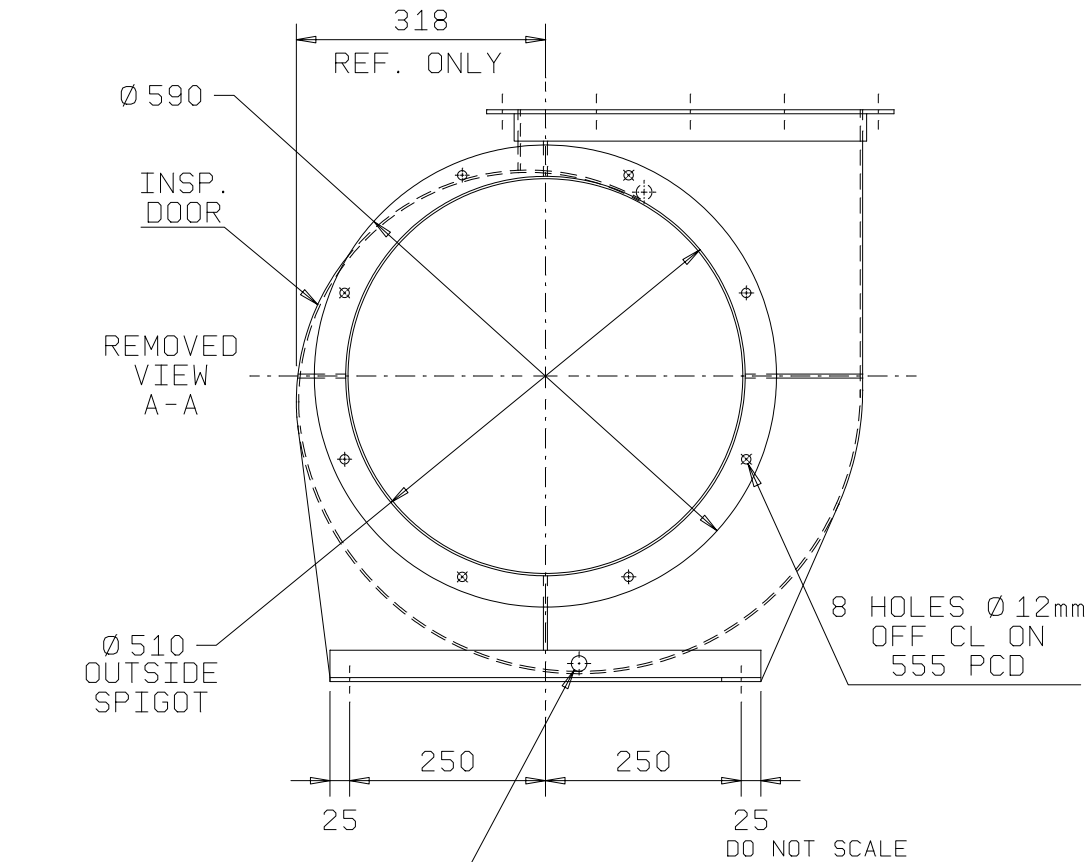
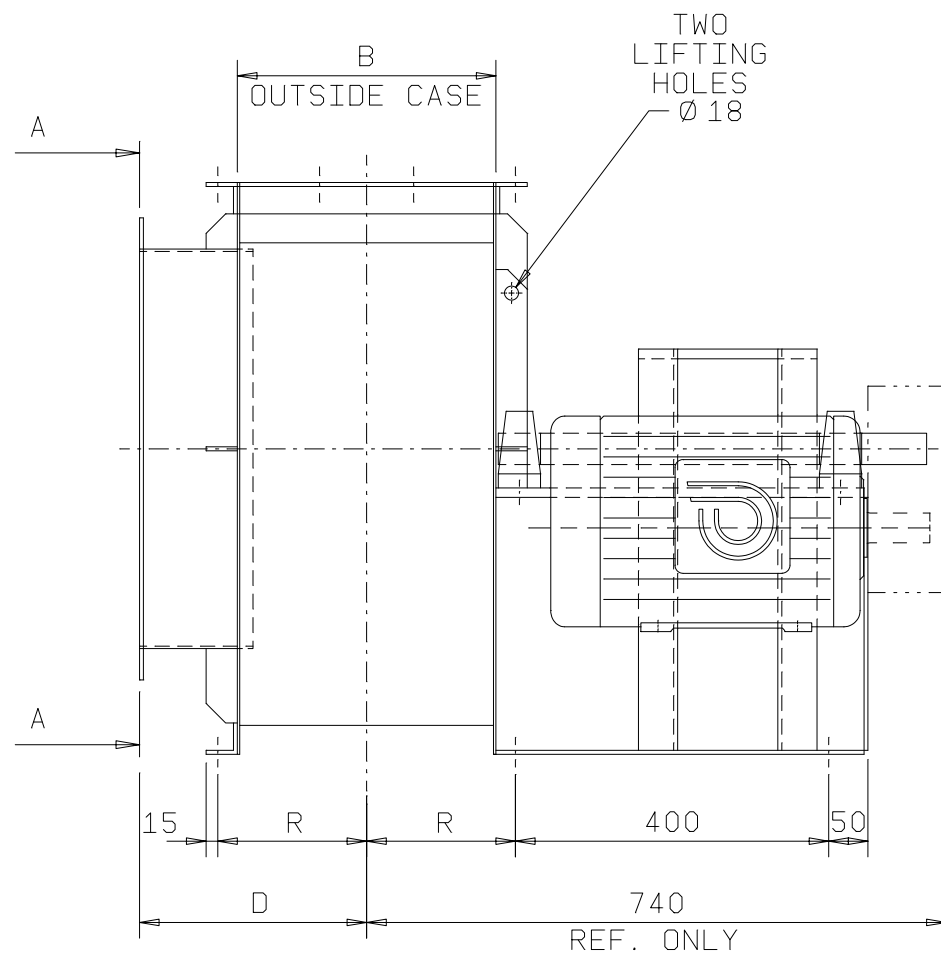


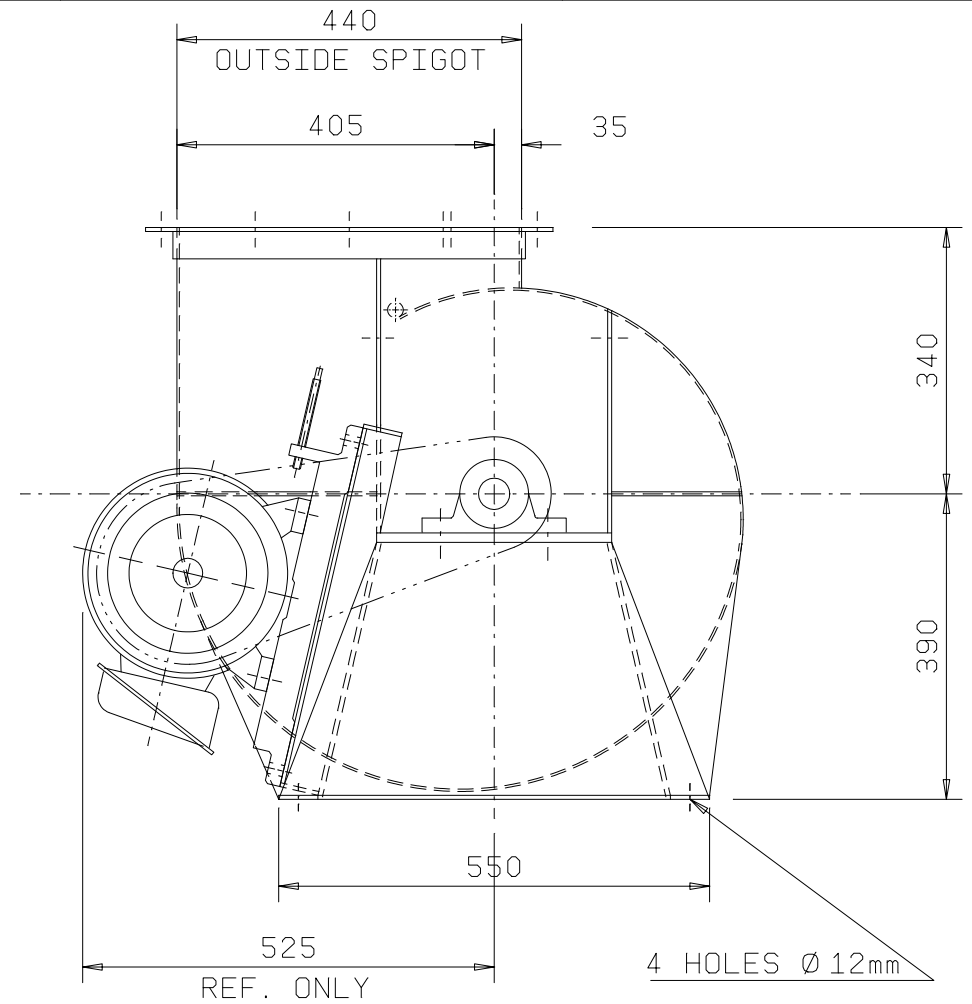
VIEW FROM DRIVE END



DISCHARGE FLANGE DETAIL  
14 HOLES Ø12mm

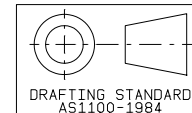


THIS DRAWING, DESIGNS AND CONCEPTS IS THE SOLE PROPERTY OF AIRENG PTY. LTD. AND IS TO BE RETURNED ON REQUEST. IT IS TO BE TREATED AS CONFIDENTIAL AND NOT TO BE COPIED OR COMMUNICATED TO ANY OTHER PERSON WITHOUT THE WRITTEN CONSENT OF AIRENG PTY. LTD.. IT MAY ONLY BE USED FOR MANUFACTURE WHEN ACCOMPANIED BY A WRITTEN ORDER.



SUITS ALL MOTOR FRAMES TO D132M

CASING % WIDTH	B	D	I	R
40	270	260	100	160
60	290	270	110	170
80	310	280	120	180
100	330	290	130	190
120	350	300	140	200



CAD FILE No.



**AIRENG** PTY. LTD. BAYSWATER VICTORIA AUSTRALIA  
Ph. (613) 9761 3333 Fax (613) 9761 0550  
ACN 060 583 164

DRAWN: VTG DATE: 18-03-99 TITLE: ASSEMBLY  
D.5000 S.1650 ARR.9/Z CW90

CHECKED: DATE: SUITS MOTOR SIZES TO D132M

REV. No. SCALE DRAWING NO. QC D5000 S1650 G-C9Z **A3**