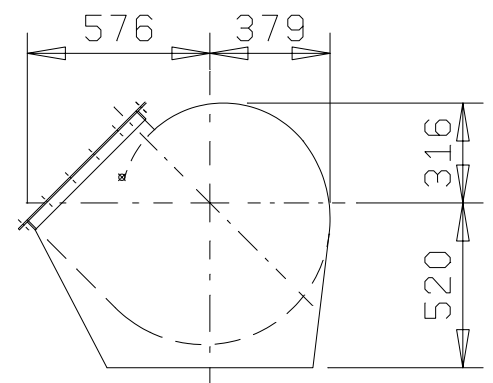
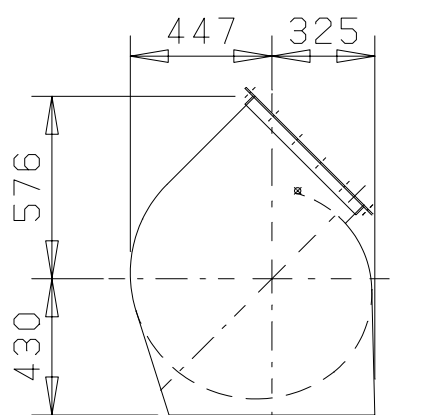


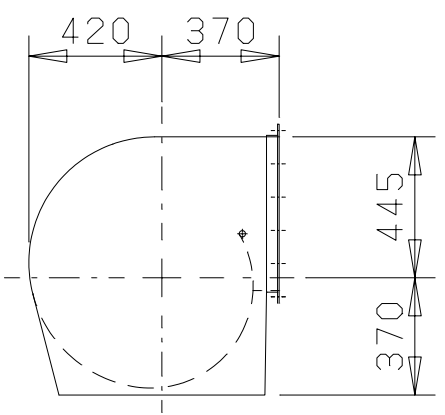
CW0 BH



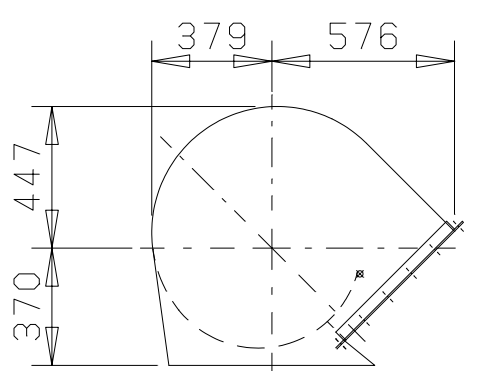
CW45 BAU



CW135 TAU

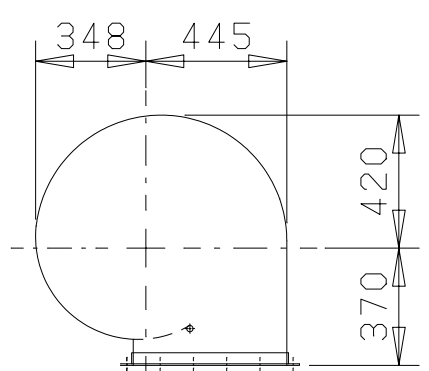


CW180 TH

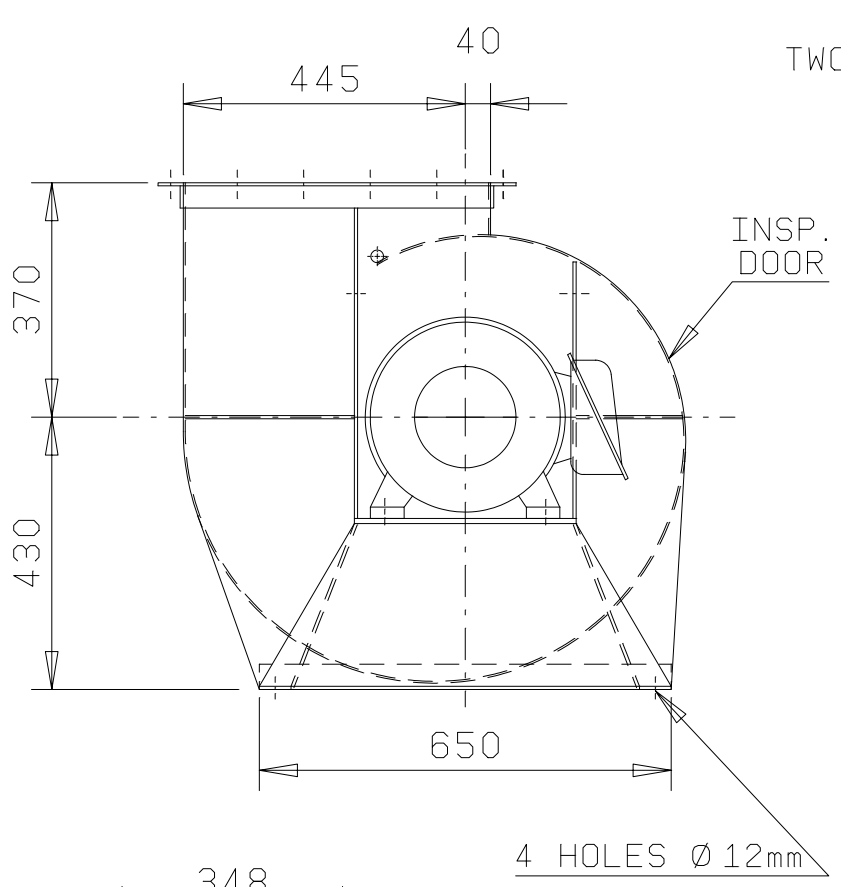


CW225 TAD

VIEW FROM DRIVE END



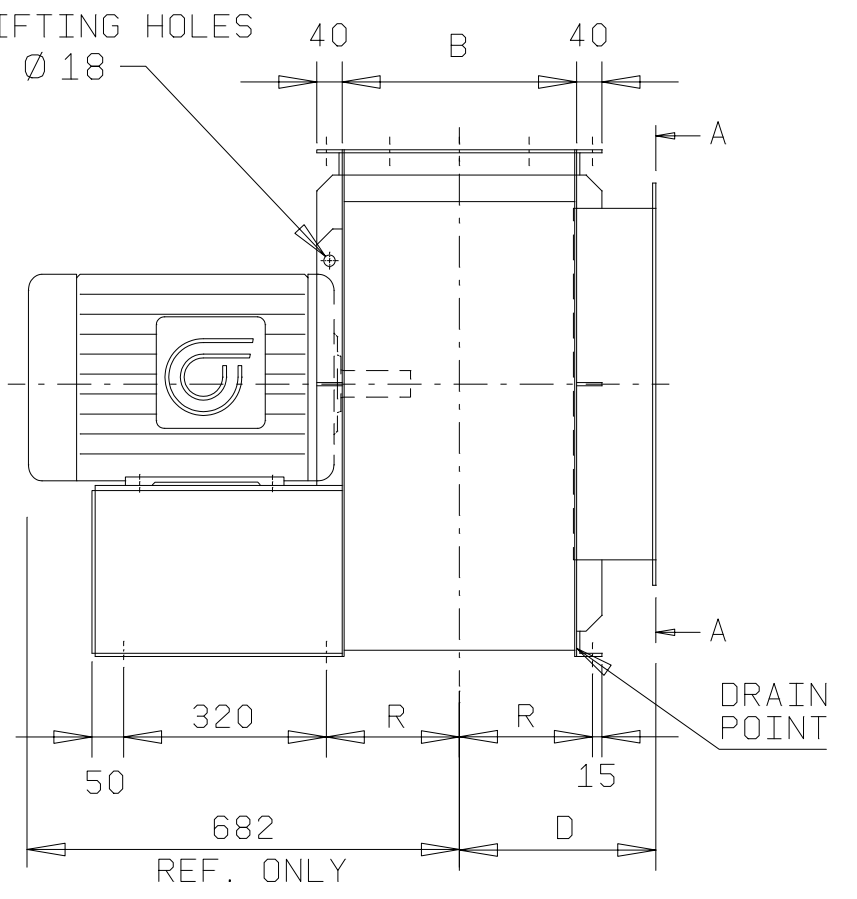
CW270 DB



TWO LIFTING HOLES

INSP. DOOR

4 HOLES Ø 12mm

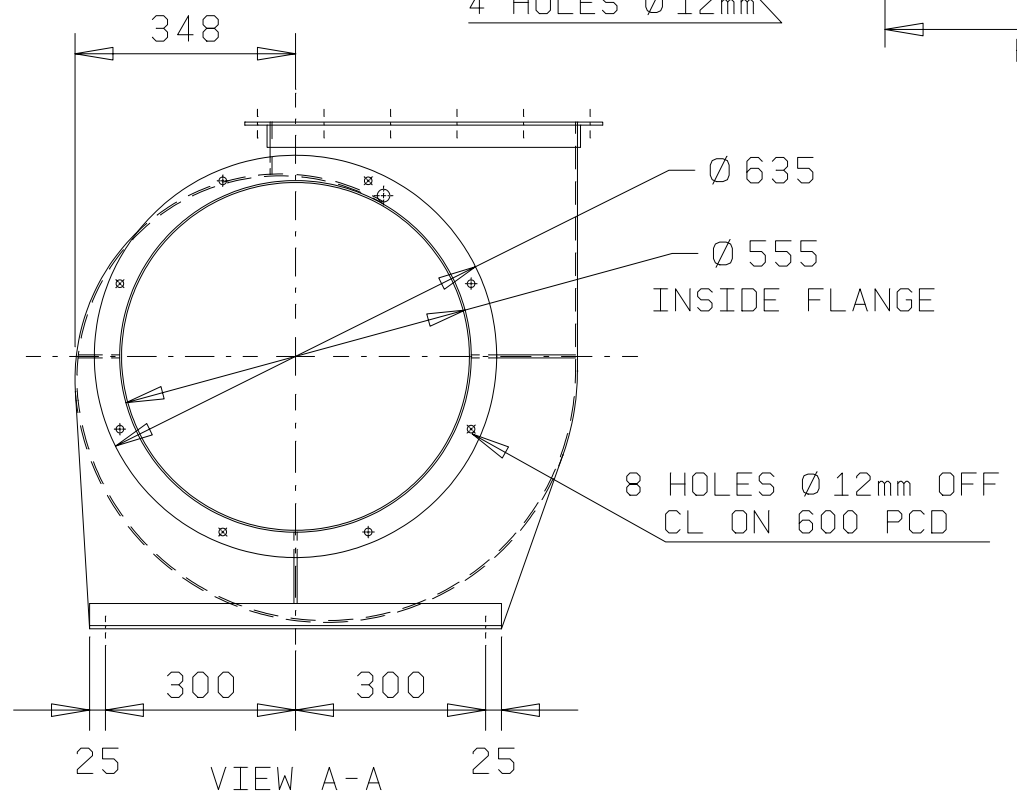


REF. ONLY

DRAIN POINT

SUITS MOTOR FRAME SIZES TO D160M

CASING % WIDTH	B	D	I	R
40	300	275	65	175
60	330	290	80	190
80	350	300	90	200
100	370	310	100	210
120	390	320	110	220

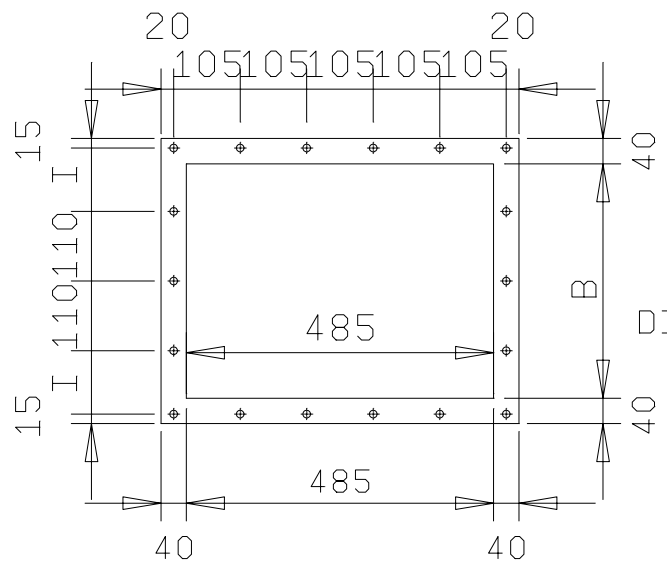


Ø 635

Ø 555
INSIDE FLANGE

8 HOLES Ø 12mm OFF
CL ON 600 PCD

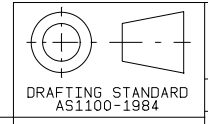
VIEW A-A



DISCHARGE FLANGE DETAIL
18 HOLES Ø 12mm

DO NOT SCALE

THIS DRAWING, DESIGNS AND CONCEPTS IS THE SOLE PROPERTY OF AIRENG PTY. LTD. AND IS TO BE RETURNED ON REQUEST. IT IS TO BE TREATED AS CONFIDENTIAL AND NOT TO BE COPIED OR COMMUNICATED TO ANY OTHER PERSON WITHOUT THE WRITTEN CONSENT OF AIRENG PTY. LTD. IT MAY ONLY BE USED FOR MANUFACTURE WHEN ACCOMPANIED BY A WRITTEN ORDER.



AIRENG PTY. LTD.

BAYSWATER VICTORIA AUSTRALIA
Ph. (613) 9761 3333 Fax (613) 9761 0550
ACN 060 593 164

DRAWN: MWG

DATE: 11-7-95

CHECKED:

DATE:

REV. No.

TITLE: GENERAL ASSEMBLY
D.5000 S.1825 ARR.4 CW90

SUITS: D112M - D160M

SCALE: DRAWING NO. QC D5000 S1825 G-C4



A3