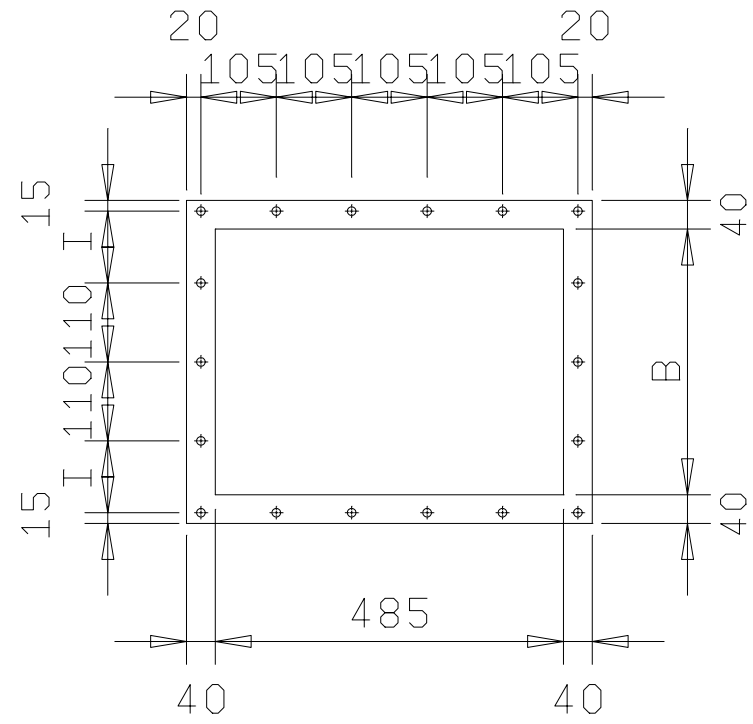


SUITS MOTOR FRAME SIZES TO D160M

CASING % WIDTH	B	D	I
40	300	275	65
60	330	290	80
80	350	300	90
100	370	310	100
120	390	320	110



DISCHARGE FLANGE DETAILS
18 HOLES Ø 12mm

DO NOT SCALE

THIS DRAWING, DESIGNS AND CONCEPTS IS THE SOLE PROPERTY OF AIRENG PTY. LTD. AND IS TO BE RETURNED ON REQUEST. IT IS TO BE TREATED AS CONFIDENTIAL AND NOT TO BE COPIED OR COMMUNICATED TO ANY OTHER PERSON WITHOUT THE WRITTEN CONSENT OF AIRENG PTY. LTD.. IT MAY ONLY BE USED FOR MANUFACTURE WHEN ACCOMPANIED BY A WRITTEN ORDER.

 AIRENG PTY. LTD.	BAYSWATER VICTORIA AUSTRALIA Ph. (613) 9761 3333 Fax (613) 9761 0550 ACN 060 593 164	
	DRAWN: MWG DATE: 23-5-96	TITLE: GENERAL ASSEMBLY D.5000 S.1825 ARR.4F CW
CAD FILE No.	SUITS MOTOR SIZES UP TO D160M	
CHECKED: DATE:	SCALE	DRAWING NO.
REV. No.	QC D5000 S1825 G-C4F	
	A3	