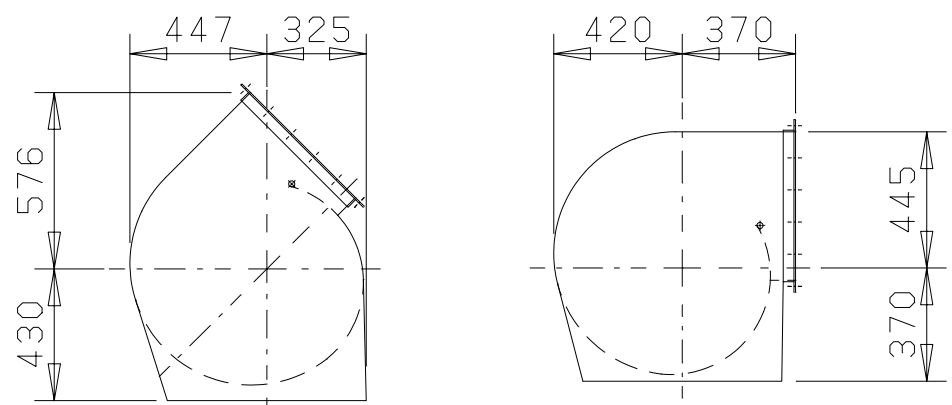


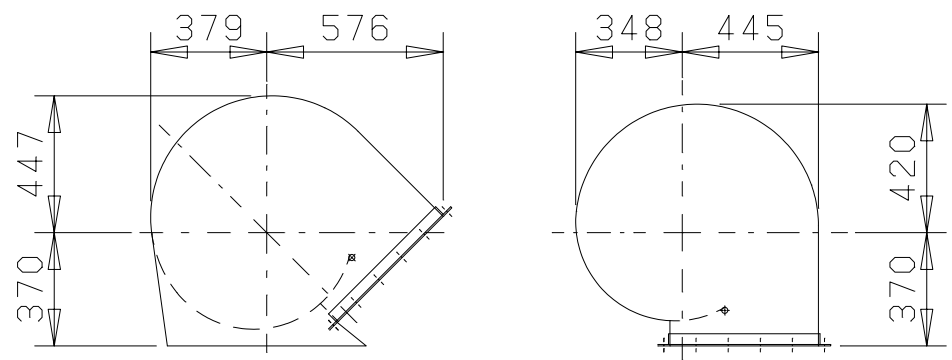
CW0 BH

CW45 BAU



CW135 TAU

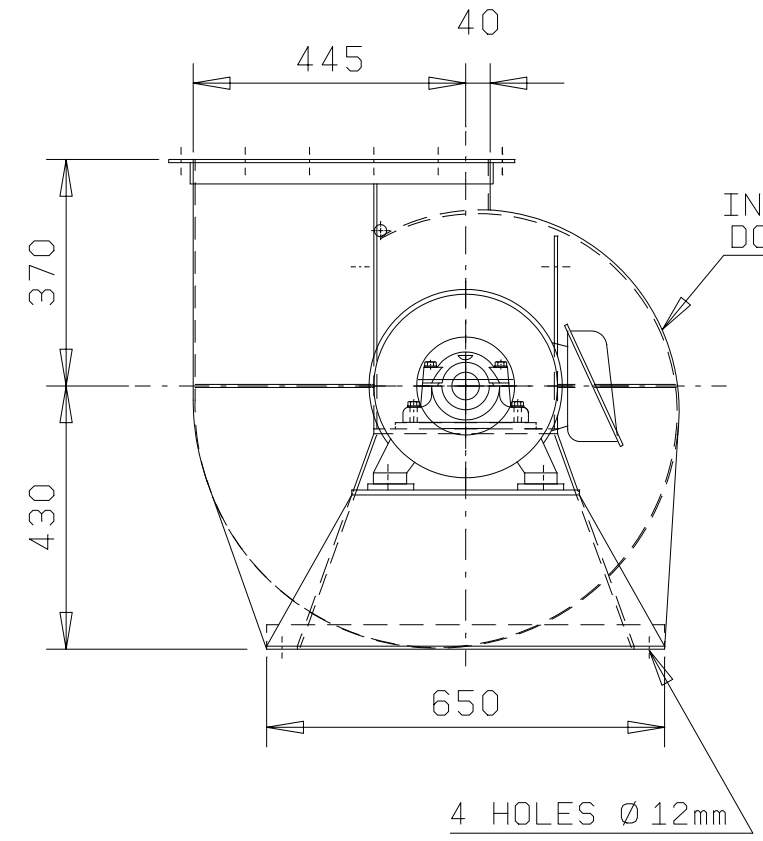
CW180 TH



CW225 TAD

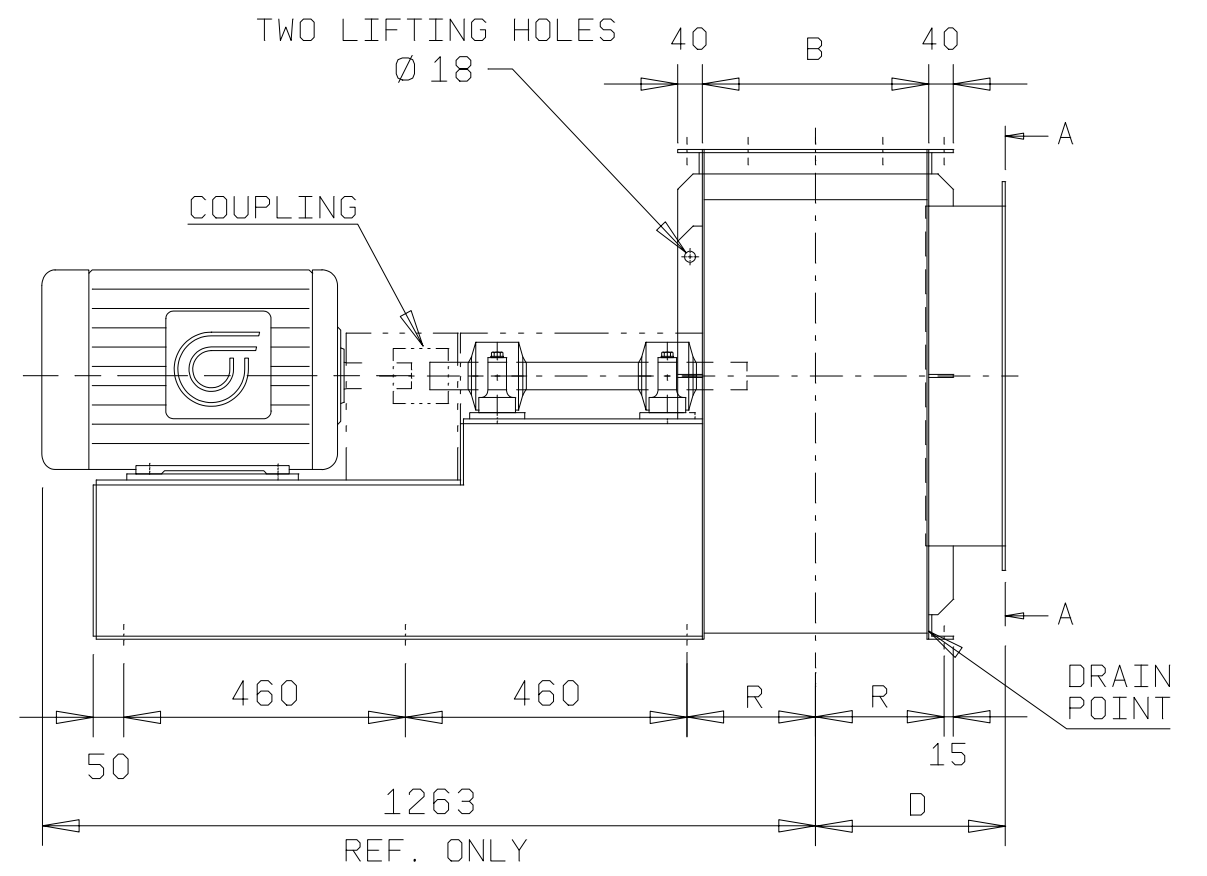
CW270 DB

VIEW FROM DRIVE END



INSP. DOOR

4 HOLES Ø 12mm

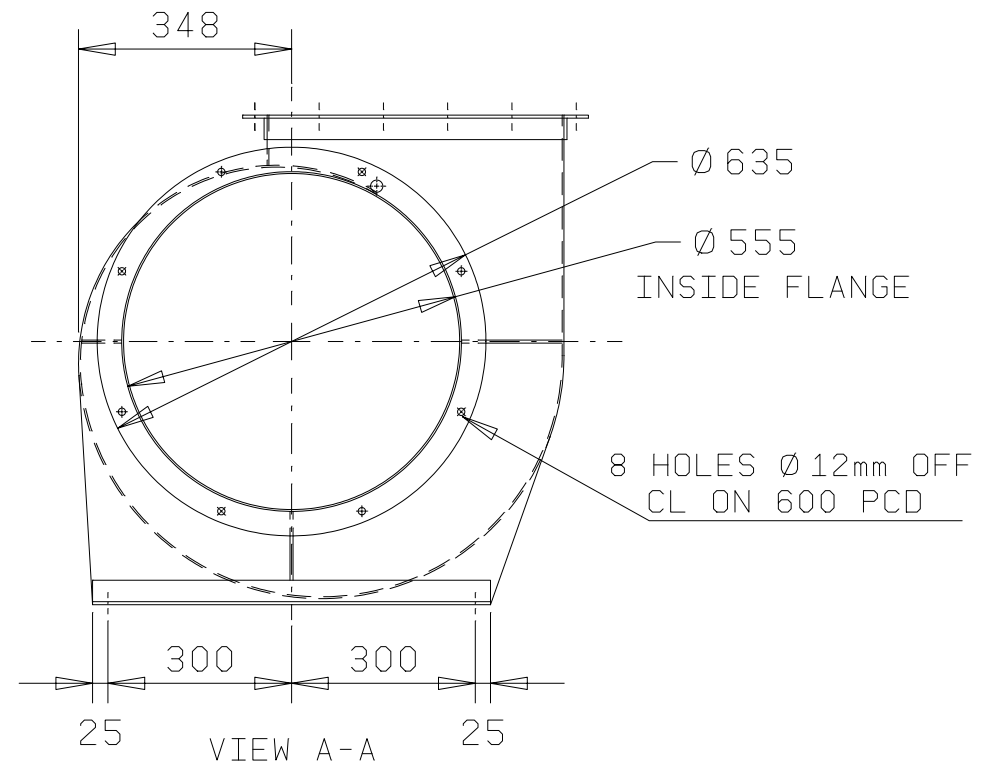


COUPLING

TWO LIFTING HOLES Ø 18

DRAIN POINT

REF. ONLY



Ø 635

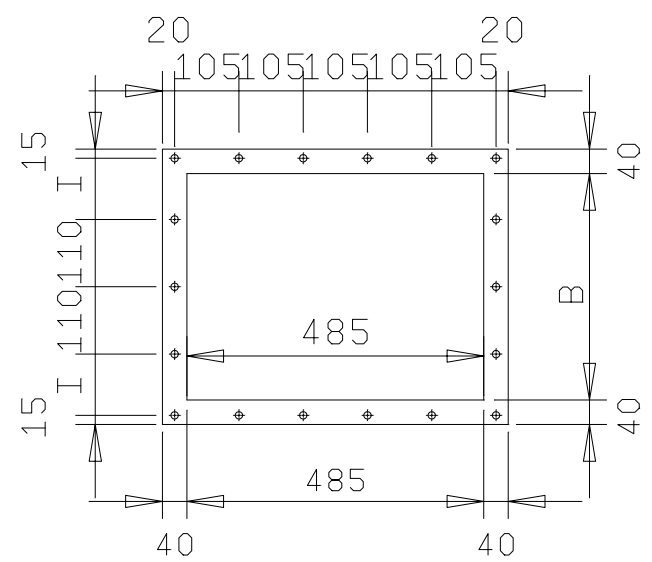
Ø 555
INSIDE FLANGE

8 HOLES Ø 12mm OFF
CL ON 600 PCD

VIEW A-A

SUITS MOTOR FRAME SIZES TO D160M

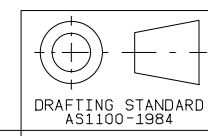
CASING % WIDTH	B	D	I	R
40	300	275	65	175
60	330	290	80	190
80	350	300	90	200
100	370	310	100	210
120	390	320	110	220



DISCHARGE FLANGE DETAIL
18 HOLES Ø 12mm

DISCH. FLANGE DETAIL

THIS DRAWING, DESIGNS AND CONCEPTS IS THE SOLE PROPERTY OF AIRENG PTY. LTD. AND IS TO BE RETURNED ON REQUEST. IT IS TO BE TREATED AS CONFIDENTIAL AND NOT TO BE COPIED OR COMMUNICATED TO ANY OTHER PERSON WITHOUT THE WRITTEN CONSENT OF AIRENG PTY. LTD.. IT MAY ONLY BE USED FOR MANUFACTURE WHEN ACCOMPANIED BY A WRITTEN ORDER.



CAD FILE No.



AIRENG PTY. LTD. BAYSWATER VICTORIA AUSTRALIA
Ph. (613) 9761 3333 Fax (613) 9761 0550
ACN 060 583 164

DRAWN: DHL TITLE: GENERAL ASSEMBLY
DATE: 20-06-00 D.5000 S.1825 ARR.8 CW90

CHECKED: SUITS: D112M - D160M

DATE: SCALE DRAWING NO. QC D5000 S1825 G-C8

REV. No.

--	--	--	--

A3