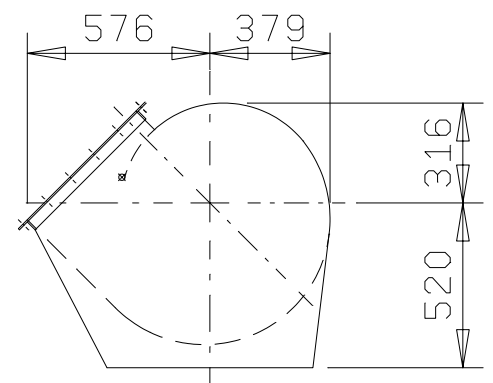
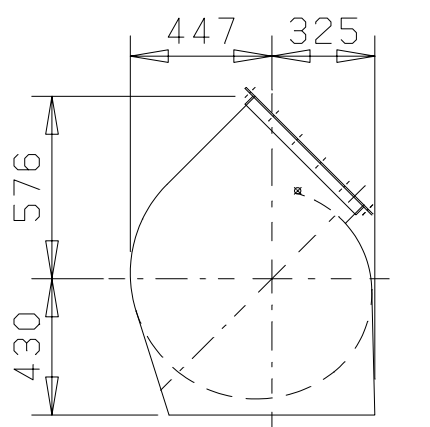


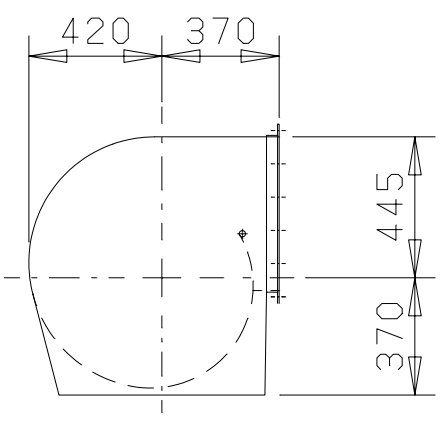
CW0 BH



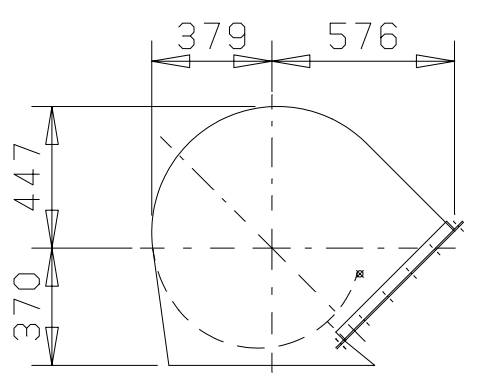
CW45 BAU



CW135 TAU

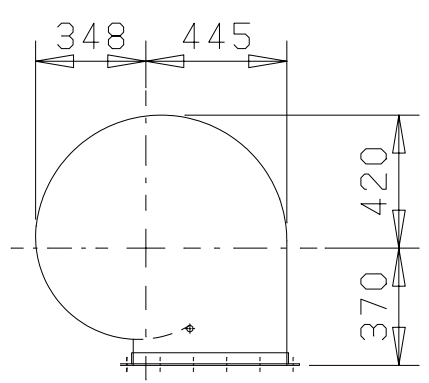


CW180 TH

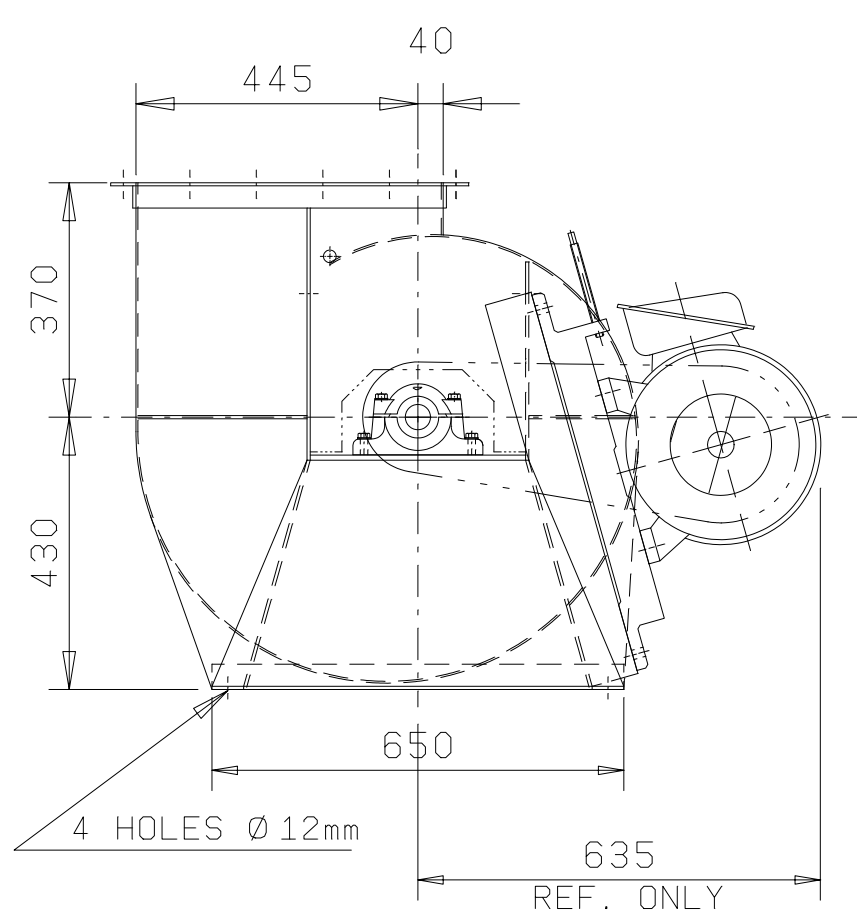


CW225 TAD

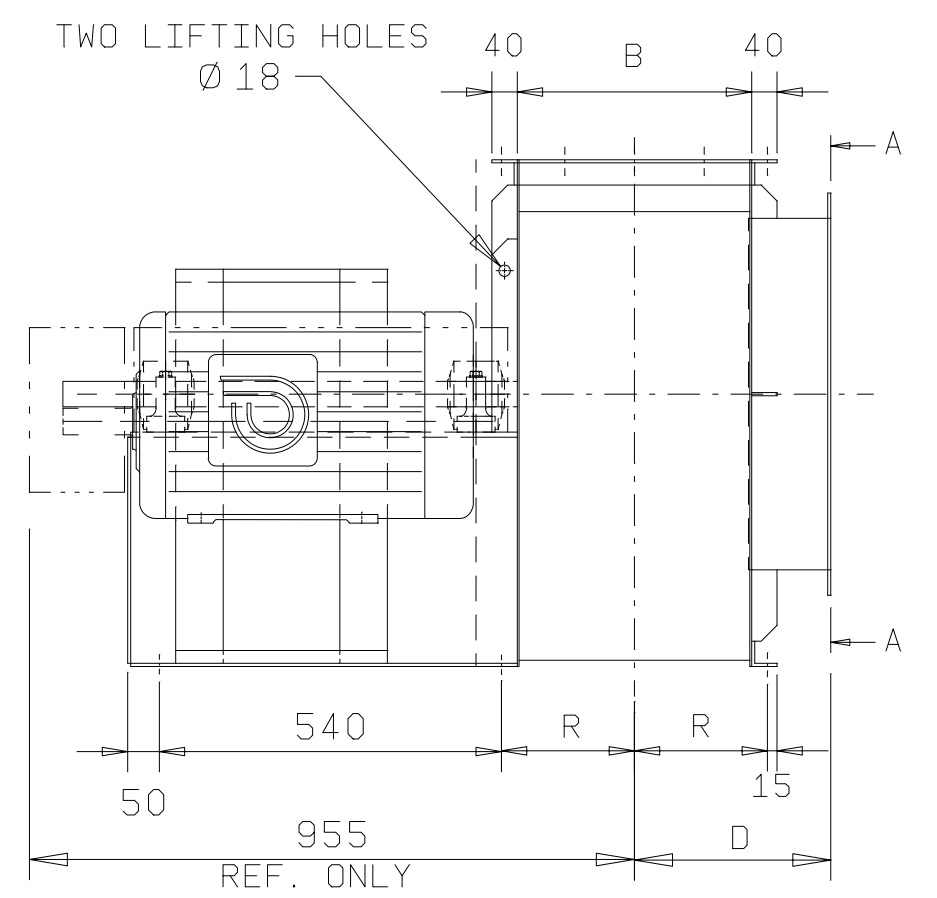
VIEW FROM DRIVE END



CW270 DB

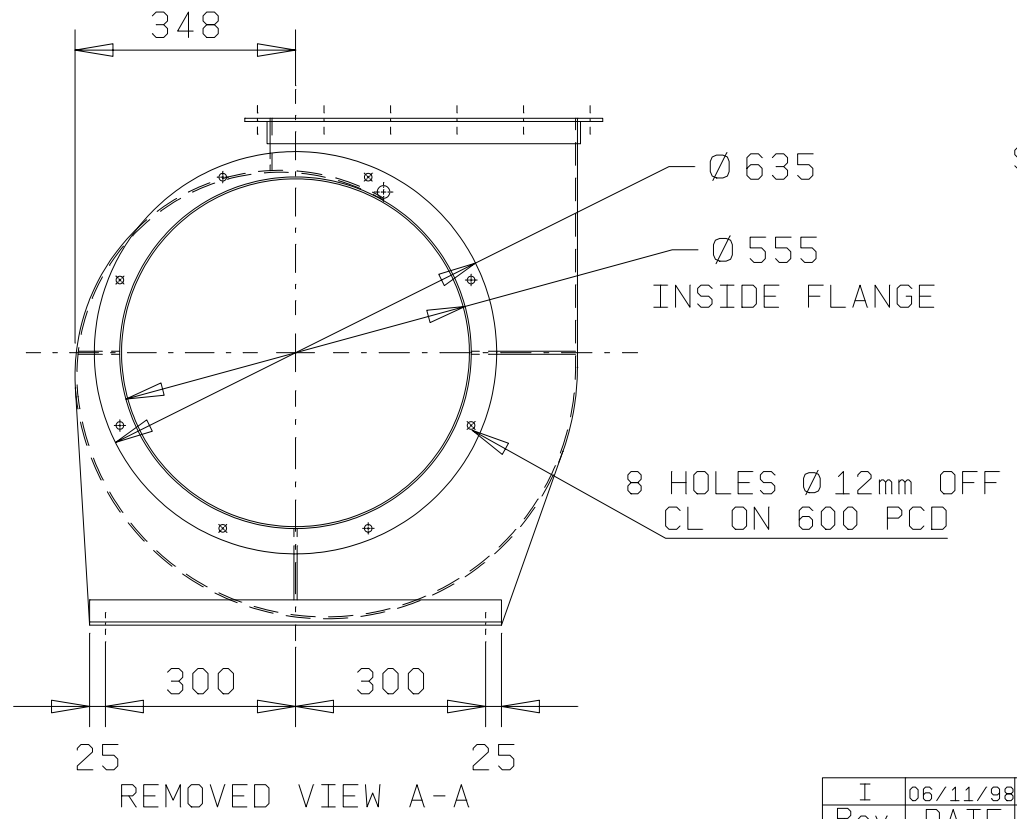


REF. ONLY

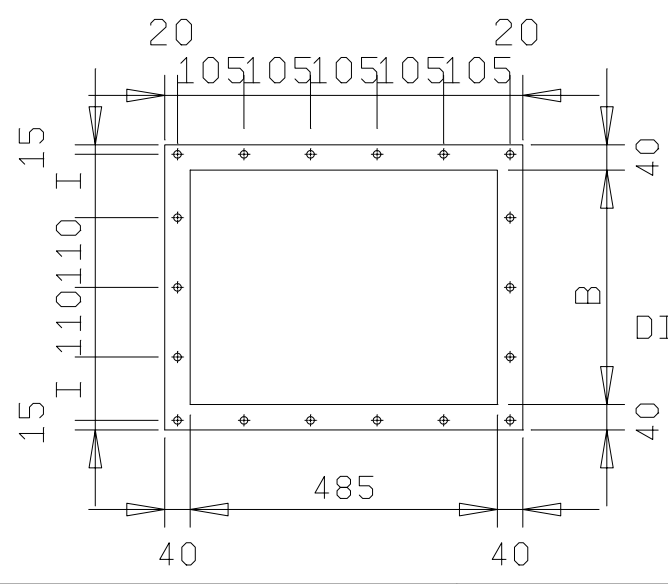


SUITS MOTOR FRAME SIZES TO D160L

CASING % WIDTH	B	D	I	R
40	300	275	65	175
60	330	290	80	190
80	350	300	90	200
100	370	310	100	210
120	390	320	110	220



REMOVED VIEW A-A



DISCHARGE FLANGE DETAIL  
18 HOLES Ø 12mm

DO NOT SCALE

THIS DRAWING, DESIGNS AND CONCEPTS IS THE SOLE PROPERTY OF AIRENG PTY. LTD. AND IS TO BE RETURNED ON REQUEST. IT IS TO BE TREATED AS CONFIDENTIAL AND NOT TO BE COPIED OR COMMUNICATED TO ANY OTHER PERSON WITHOUT THE WRITTEN CONSENT OF AIRENG PTY. LTD.. IT MAY ONLY BE USED FOR MANUFACTURE WHEN ACCOMPANIED BY A WRITTEN ORDER.

I	06/11/98	Reduced motor size to D160L & shortened pedestal	VTG
Rev.	DATE	DESCRIPTION	SIGN.
		BAYSWATER VICTORIA AUSTRALIA Ph. (613) 9761 3333 Fax (613) 9761 0550 ACN 060 593 164	
DRAFTING STANDARD AS1100-1984		DRAWN: VTG DATE: 28-1-98 CHECKED: DATE:	TITLE: GENERAL ASSEMBLY D.5000 S.1825 ARR.9/W CW90 SUITS: D112 - D160L
CAD FILE No.		REV. No.	SCALE DRAWING NO.
		I	QC D5000 S1825 G-C9W <b>A3</b>