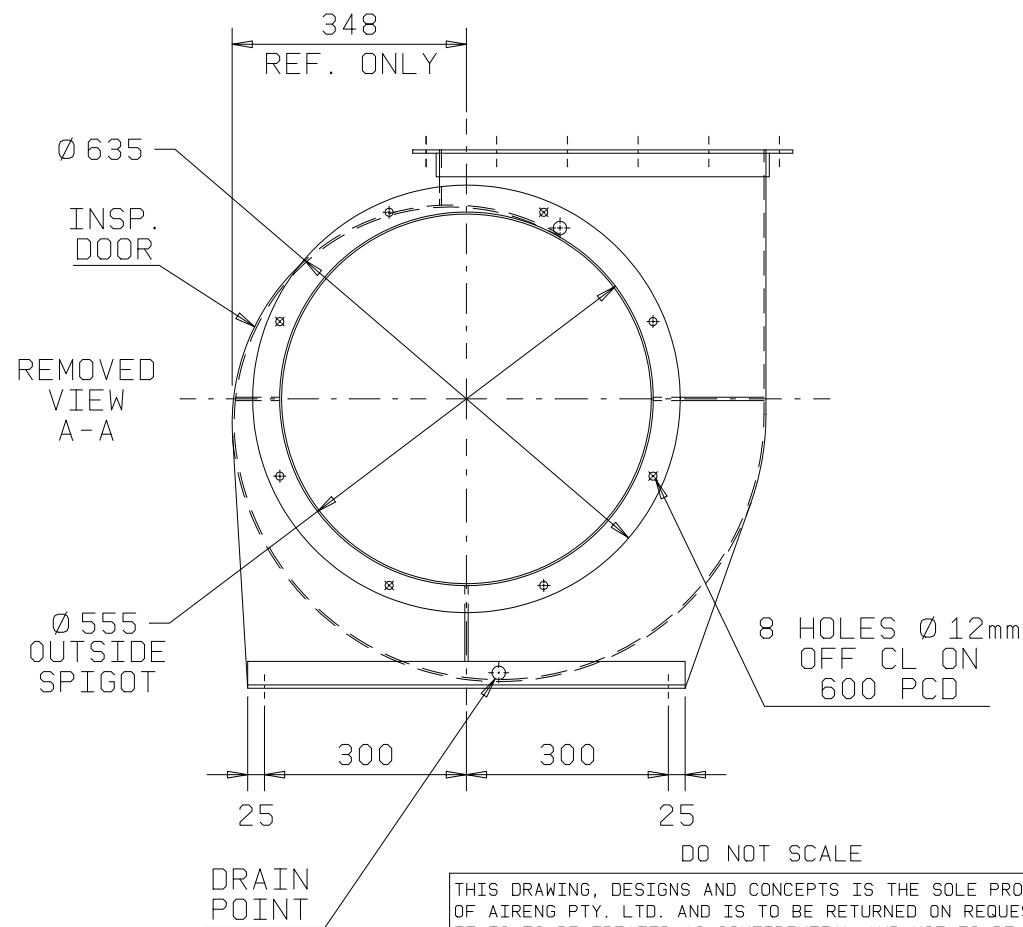
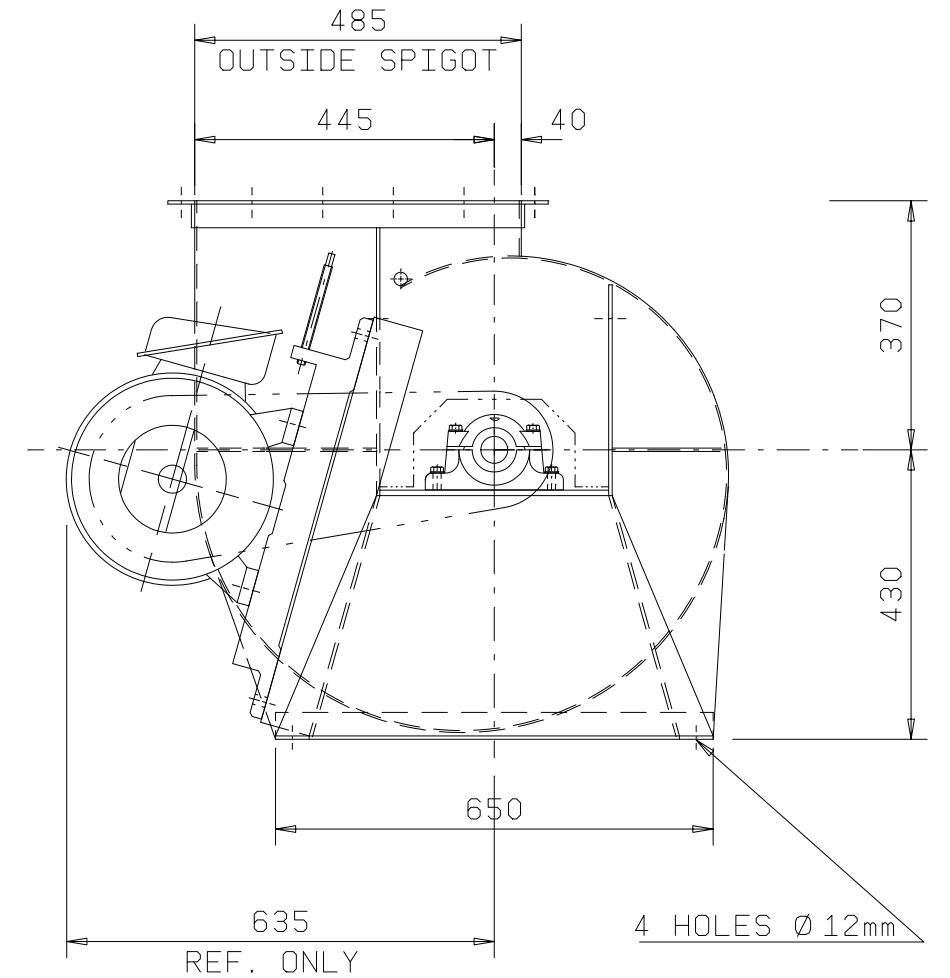
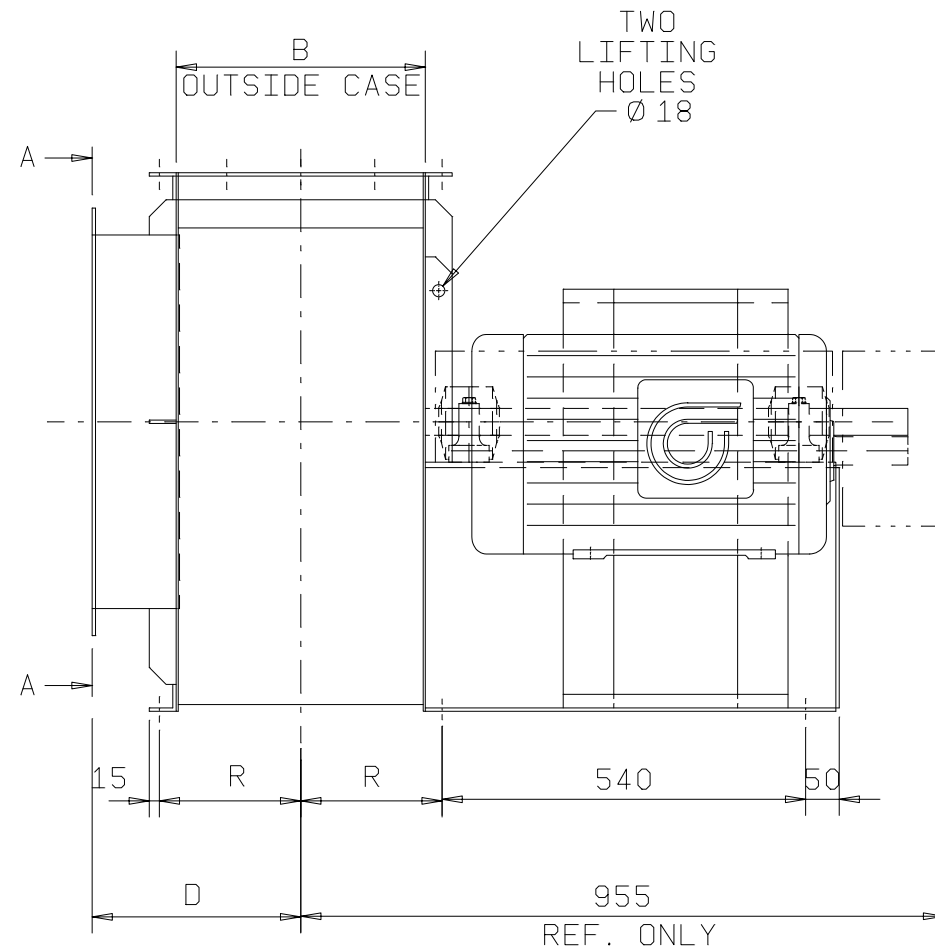
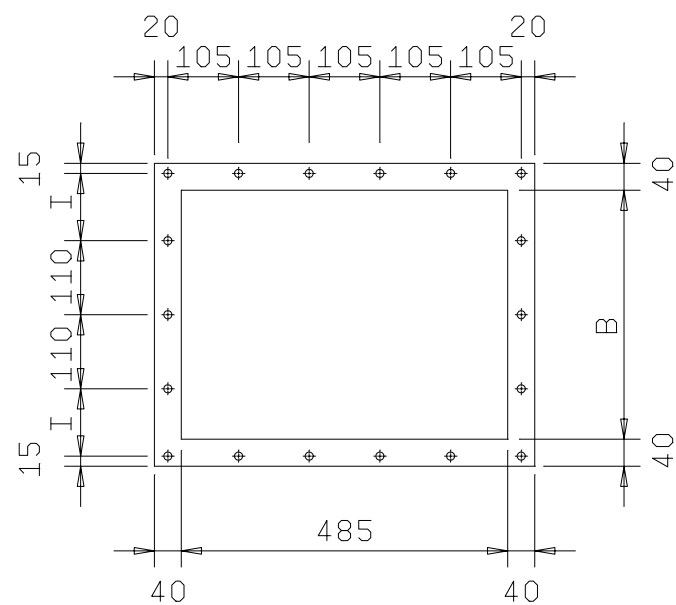


VIEW FROM DRIVE END



SUITS MOTOR FRAME SIZES TO D160L

| CASING % WIDTH | B | D | I | R |
|----------------|-----|-----|-----|-----|
| 40 | 300 | 275 | 65 | 175 |
| 60 | 330 | 290 | 80 | 190 |
| 80 | 350 | 300 | 90 | 200 |
| 100 | 370 | 310 | 100 | 210 |
| 120 | 390 | 320 | 110 | 220 |

AIRENG PTY. LTD. BAYSWATER VICTORIA AUSTRALIA
Ph. (613) 9761 3333 Fax (613) 9761 0550
ACN 060 593 164

DRAWN: VTG TITLE: GENERAL ASSEMBLY
DATE: 18-03-99 D5000 S1825 ARR.9/Z CW90

CHECKED: SUITS: D112 - D160L

DATE: SCALE: DRAWING NO. QC D5000 S1825 G-C9Z

REV. No. **A3**

DRAFTING STANDARD AS1100-1984 CAD FILE No. QIKDRAW

DO NOT SCALE

THIS DRAWING, DESIGNS AND CONCEPTS IS THE SOLE PROPERTY OF AIRENG PTY. LTD. AND IS TO BE RETURNED ON REQUEST. IT IS TO BE TREATED AS CONFIDENTIAL AND NOT TO BE COPIED OR COMMUNICATED TO ANY OTHER PERSON WITHOUT THE WRITTEN CONSENT OF AIRENG PTY. LTD.. IT MAY ONLY BE USED FOR MANUFACTURE WHEN ACCOMPANIED BY A WRITTEN ORDER.