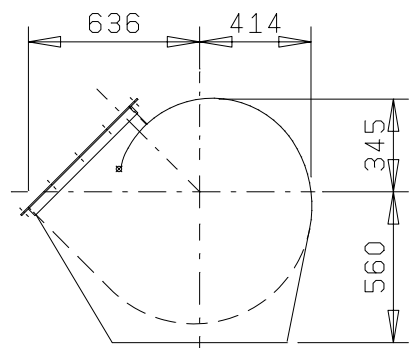
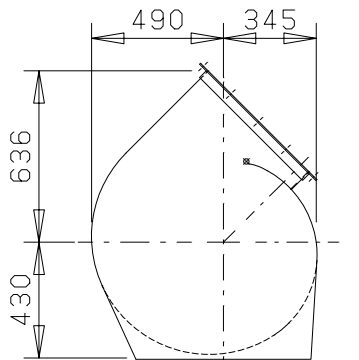


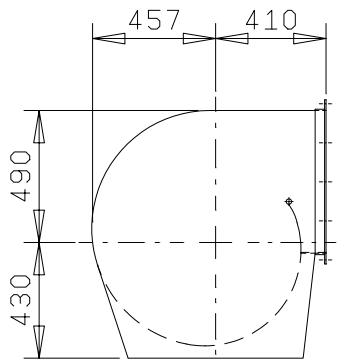
CW0 BH



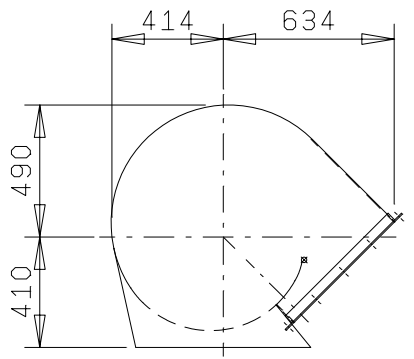
CW45 BAU



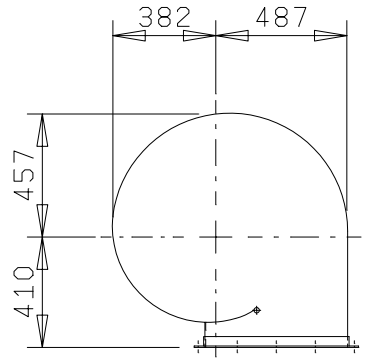
CW135 TAU



CW180 TH

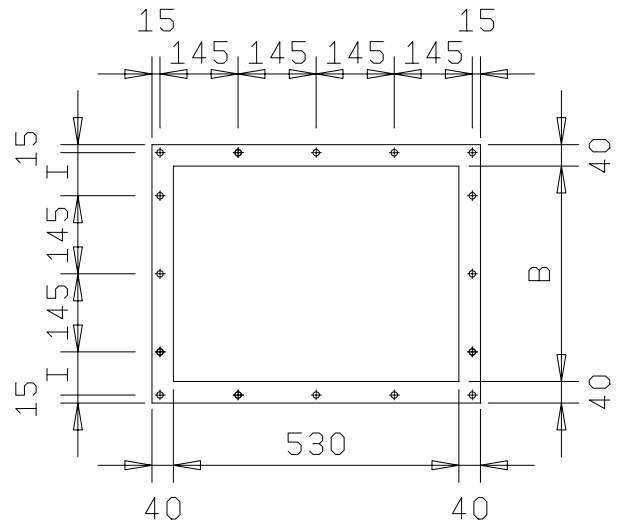


CW225 TAD

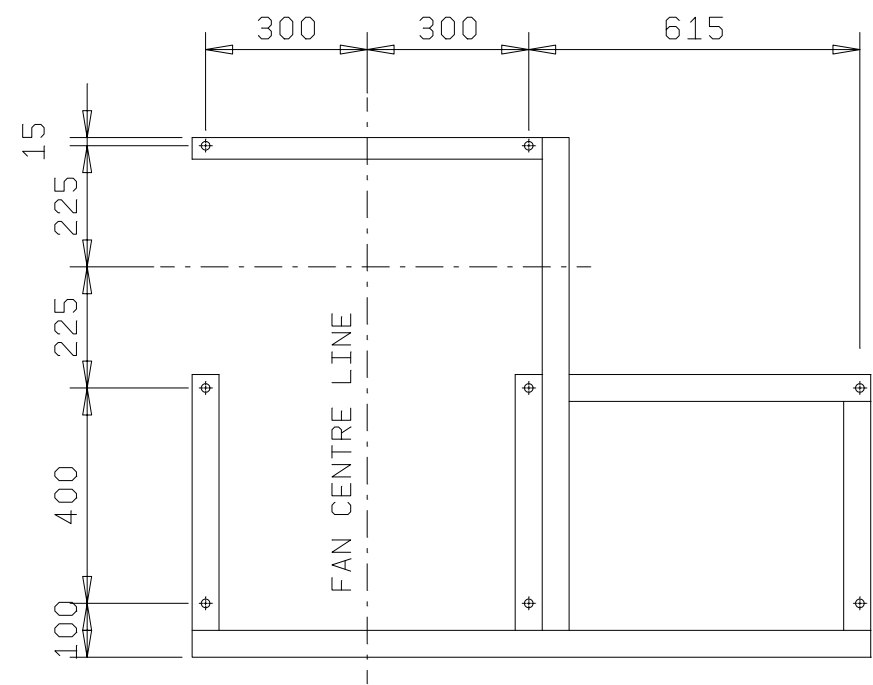
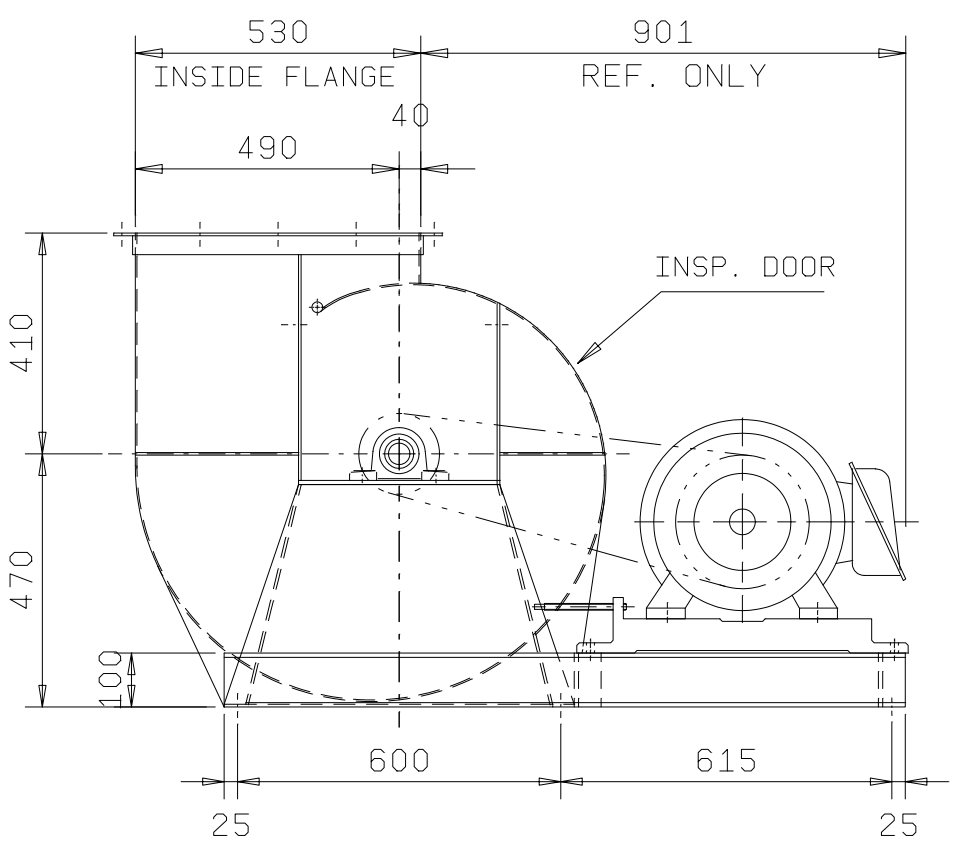


CW270 DB

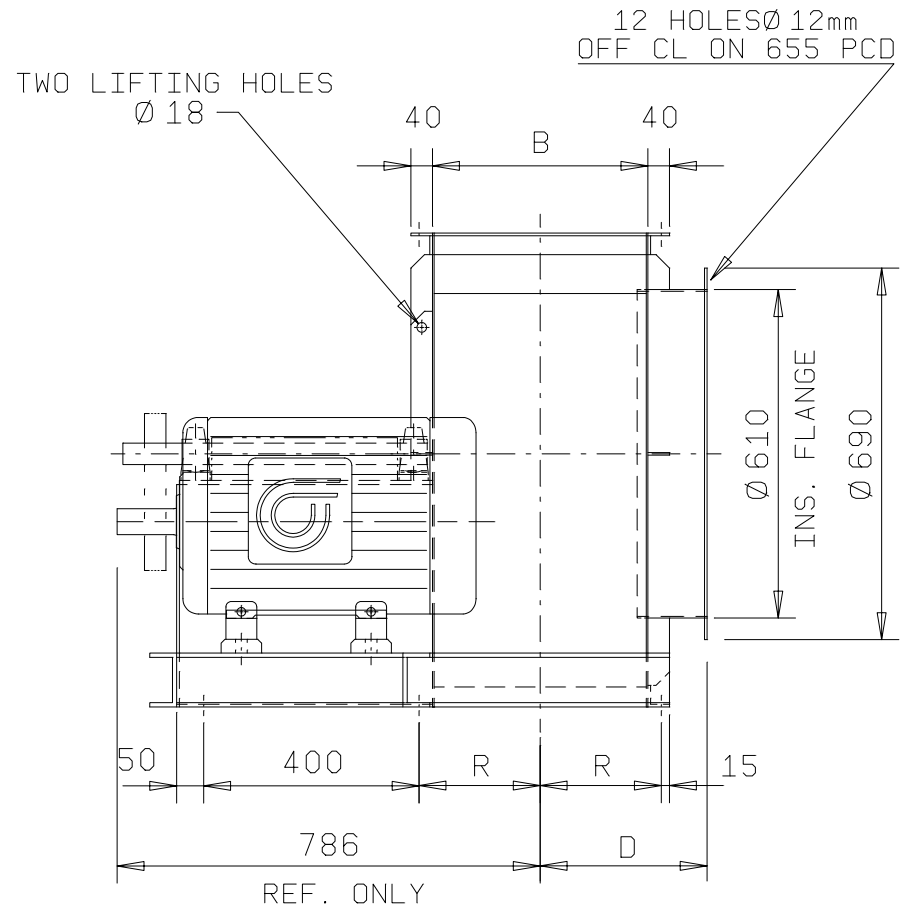
VIEW FROM DRIVE END



DISCHARGE FLANGE DETAIL
16 HOLES Ø 12mm



FOUNDATION PLAN
8 HOLES DIA.16mm

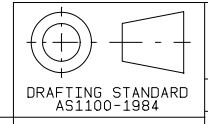


SUITS ALL MOTOR FRAMES TO D180M

CASING % WIDTH	B	D	I	R
40	330	285	45	190
60	350	295	55	200
80	380	310	70	215
100	400	320	80	225
120	430	335	95	240

DO NOT SCALE

THIS DRAWING, DESIGNS AND CONCEPTS IS THE SOLE PROPERTY OF AIRENG PTY. LTD. AND IS TO BE RETURNED ON REQUEST. IT IS TO BE TREATED AS CONFIDENTIAL AND NOT TO BE COPIED OR COMMUNICATED TO ANY OTHER PERSON WITHOUT THE WRITTEN CONSENT OF AIRENG PTY. LTD.. IT MAY ONLY BE USED FOR MANUFACTURE WHEN ACCOMPANIED BY A WRITTEN ORDER.



CAD FILE No.

QIKDRAW

AIRENG PTY. LTD. BAYSWATER VICTORIA AUSTRALIA
Ph. (613) 9761 3333 Fax (613) 9761 0550
ACN 060 593 164

DRAWN: MWG
DATE: 3-7-96
CHECKED:
DATE:
REV. No.

TITLE: GENERAL ASSEMBLY
D.5000 S.2000 ARR.1/W CW90
SUITS MOTOR SIZES D160-D180M
SCALE: DRAWING NO. QC D5000 S2000 G-C1W **A3**