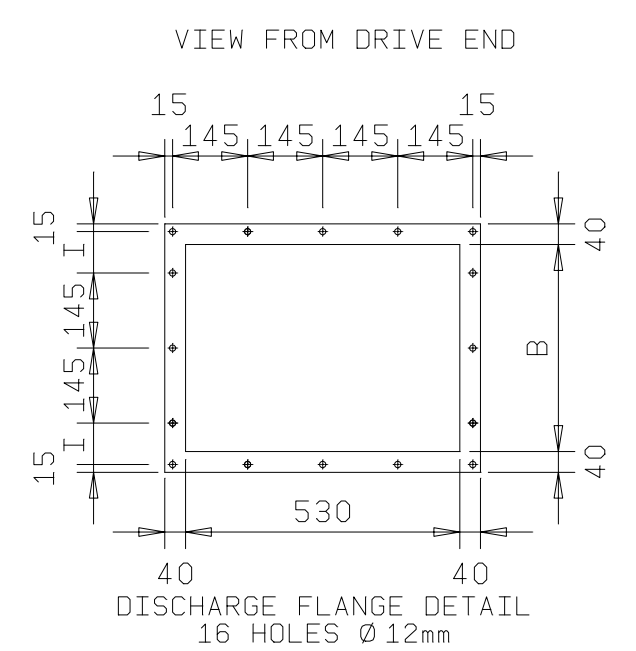


SUITS ALL MOTOR FRAMES TO D180M

CASING % WIDTH	B	D	I	R
40	330	285	45	190
60	350	295	55	200
80	380	310	70	215
100	400	320	80	225
120	430	335	95	240



FOUNDATION PLAN
8 HOLES $\varnothing 16\text{mm}$

DO NOT SCALE

THIS DRAWING, DESIGNS AND CONCEPTS IS THE SOLE PROPERTY OF AIRENG PTY. LTD. AND IS TO BE RETURNED ON REQUEST. IT IS TO BE TREATED AS CONFIDENTIAL AND NOT TO BE COPIED OR COMMUNICATED TO ANY OTHER PERSON WITHOUT THE WRITTEN CONSENT OF AIRENG PTY. LTD.. IT MAY ONLY BE USED FOR MANUFACTURE WHEN ACCOMPANIED BY A WRITTEN ORDER.

		BAYSWATER VICTORIA AUSTRALIA Ph. (613) 9761 3333 Fax (613) 9761 0550 ACN 060 583 164	
	DRAWN: VTG DATE: 11-03-99	TITLE: GENERAL ASSEMBLY D.5000 S.2000 ARR.1/Z CW90	
CAD FILE No.	CHECKED: DATE:	SUITS MOTOR SIZES D160-D180M	
	REV. No.	SCALE DRAWING NO.	QC D5000 S2000 G-C1Z A3