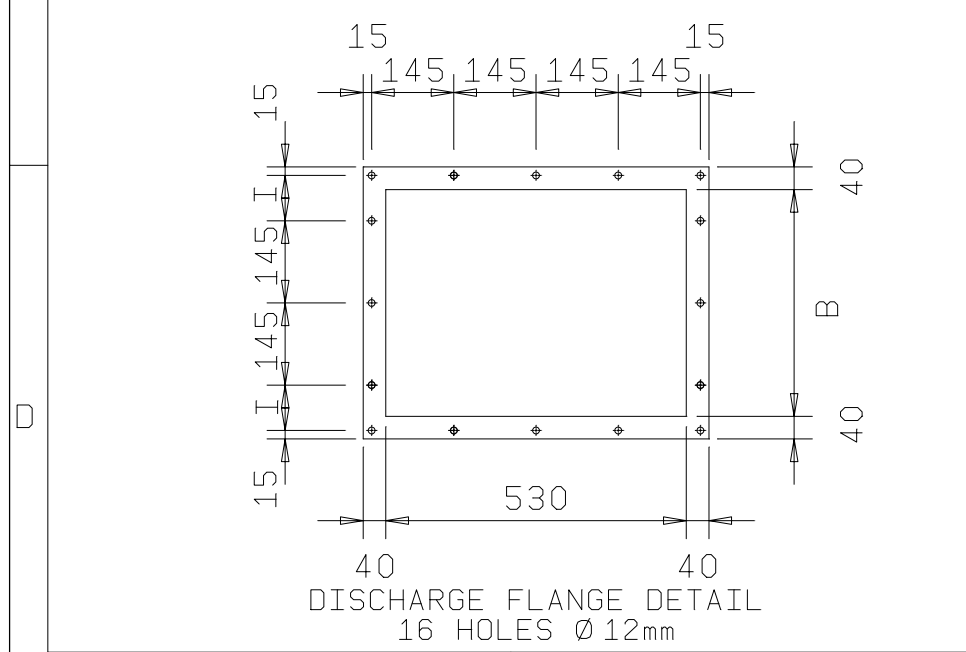
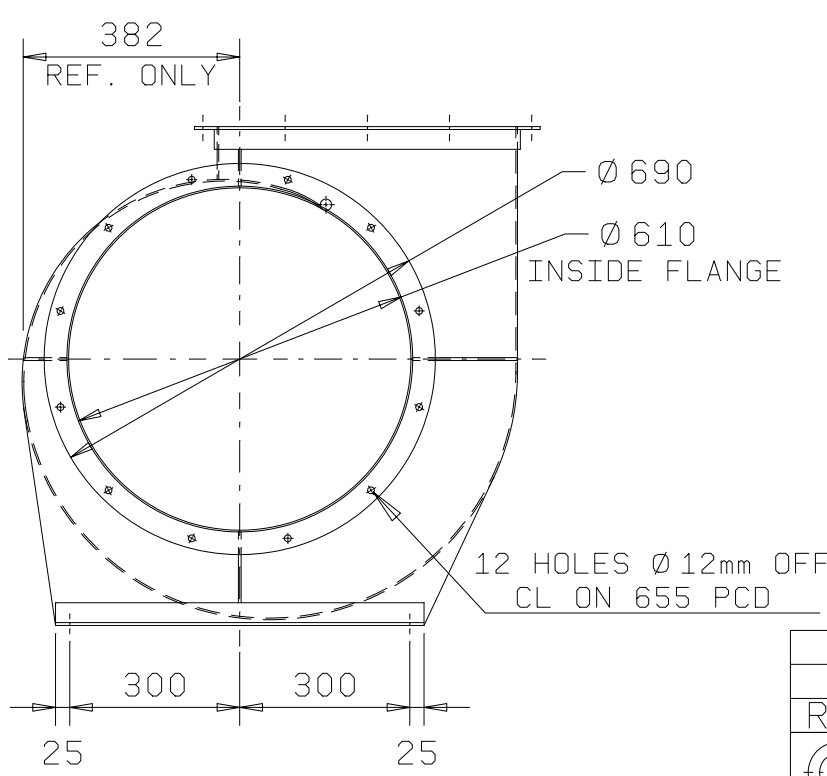
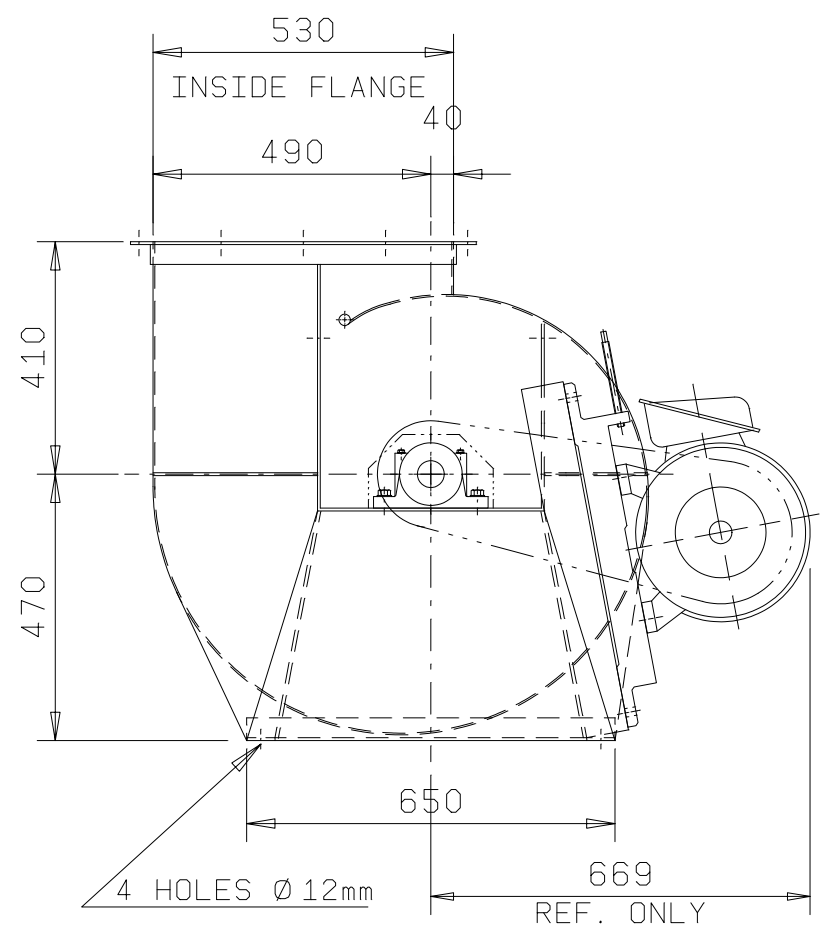


VIEW FROM DRIVE END

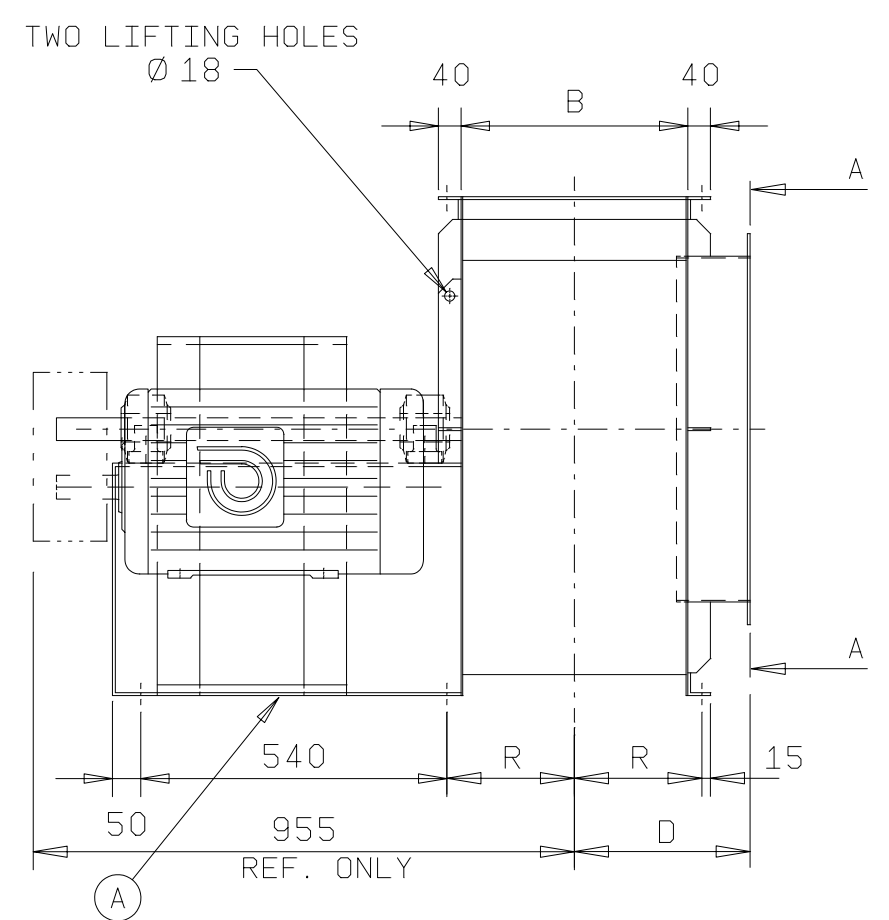


DISCHARGE FLANGE DETAIL
16 HOLES Ø 12mm



VIEW A - A
DO NOT SCALE

THIS DRAWING, DESIGNS AND CONCEPTS IS THE SOLE PROPERTY OF AIRENG PTY. LTD. AND IS TO BE RETURNED ON REQUEST. IT IS TO BE TREATED AS CONFIDENTIAL AND NOT TO BE COPIED OR COMMUNICATED TO ANY OTHER PERSON WITHOUT THE WRITTEN CONSENT OF AIRENG PTY. LTD.. IT MAY ONLY BE USED FOR MANUFACTURE WHEN ACCOMPANIED BY A WRITTEN ORDER.



SUITS ALL MOTOR SIZES TO D160L

CASING % WIDTH	B	D	I	R
40	330	285	45	190
60	350	295	55	200
80	380	310	70	215
100	400	320	80	225
120	430	335	95	240

A	25/08/98	Pedestal length modified to conform to earlier drawing.	VTG
Rev.	DATE	DESCRIPTION	SIGN.
		BAYSWATER VICTORIA AUSTRALIA Ph. (613) 9761 3333 Fax (613) 9761 0550 ACN 060 593 164	
DRAFTING STANDARD AS1100-1984 CAD FILE No.		DRAWN: VTG DATE: 04-3-98 CHECKED: DATE:	TITLE: GENERAL ASSEMBLY D.5000 S.2000 ARR.9/W CW90 SUITS MOTOR SIZES TO D160L
		REV. No.	SCALE DRAWING NO. QC D5000 S2000 G-C9W A3