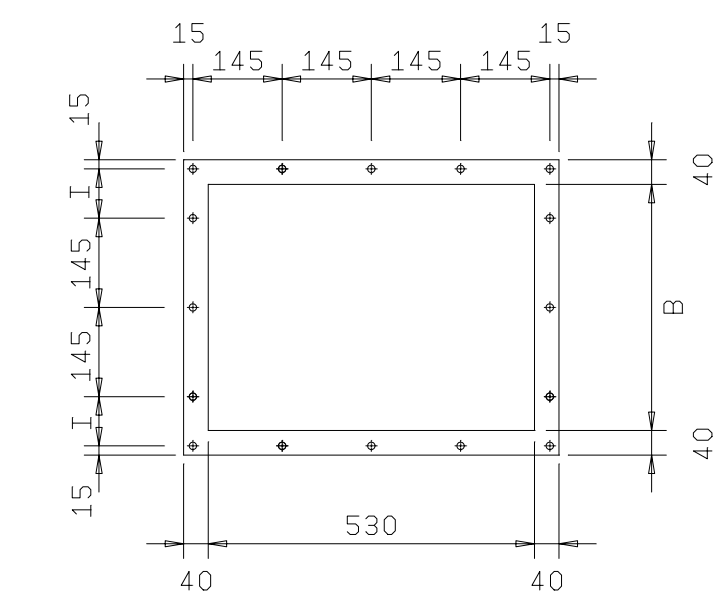
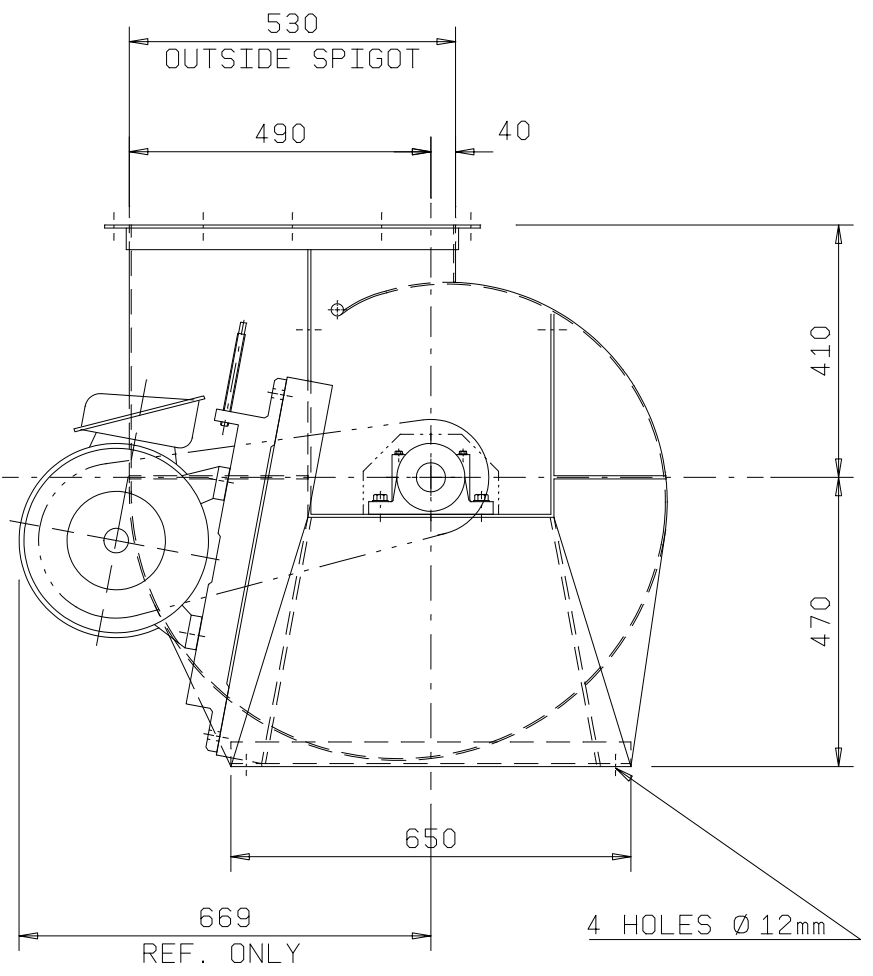
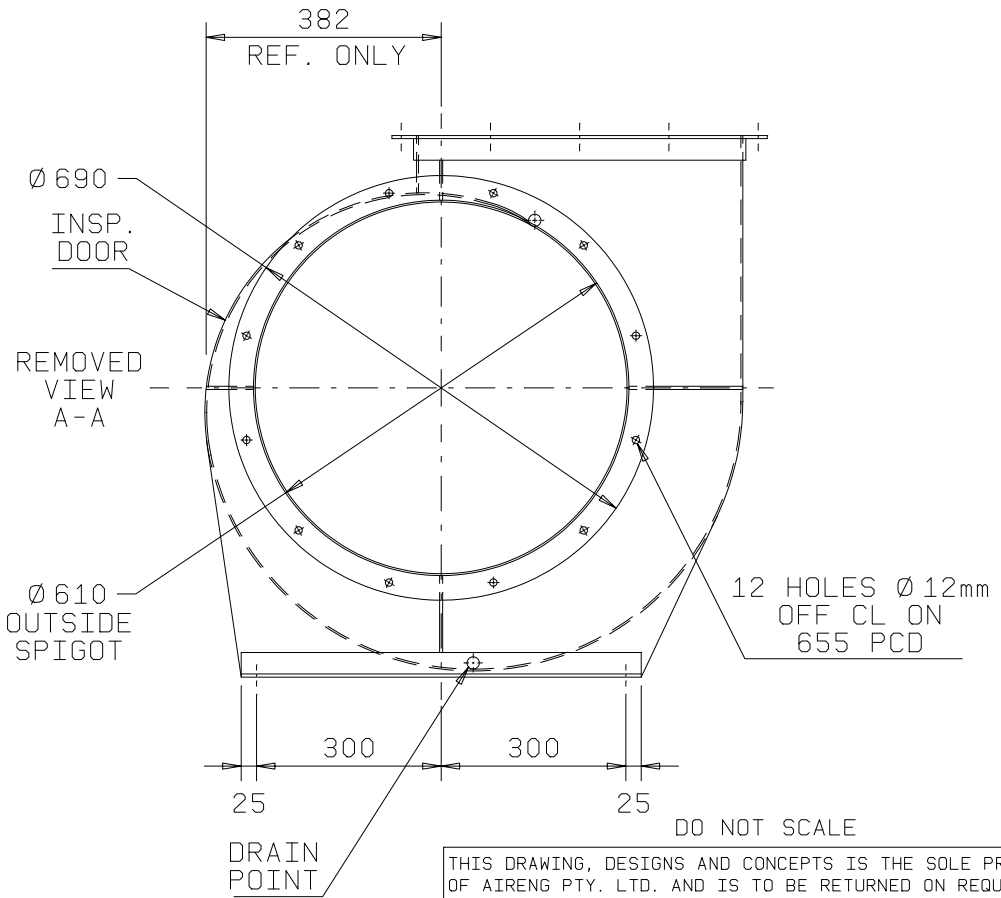
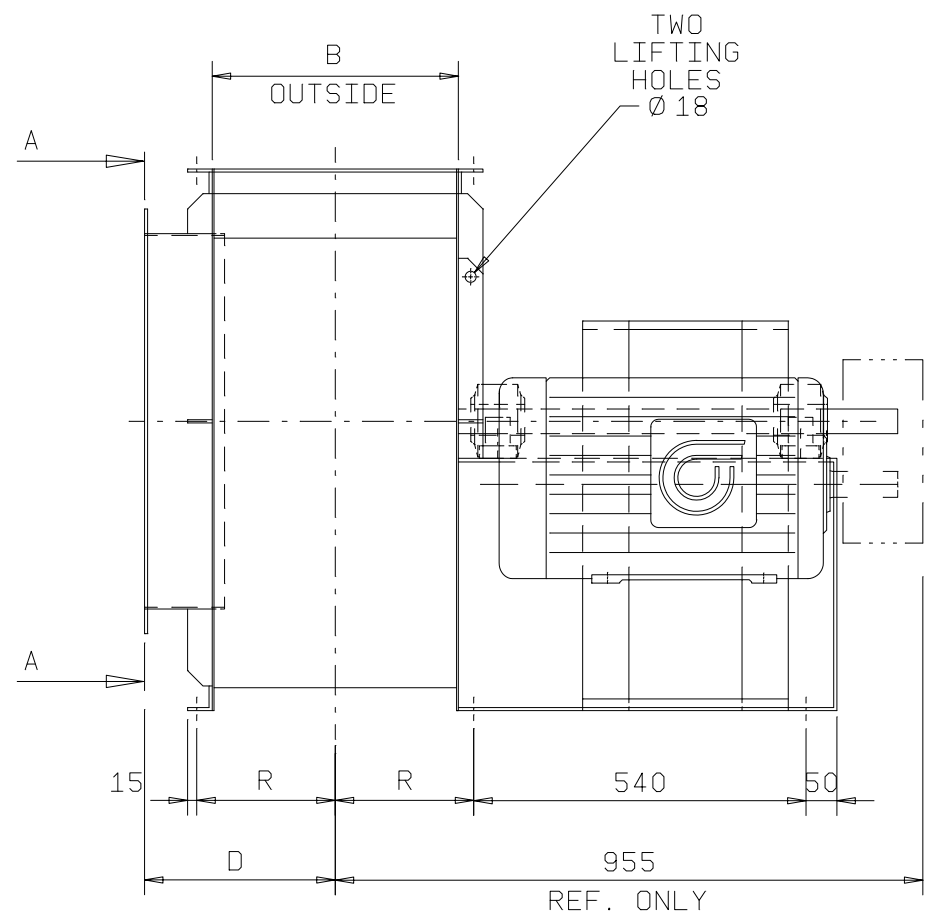


VIEW FROM DRIVE END



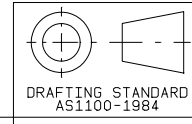
DISCHARGE FLANGE DETAIL  
16 HOLES Ø 12mm



SUITS ALL MOTOR SIZES TO D160L

CASING % WIDTH	B	D	I	R
40	330	285	45	190
60	350	295	55	200
80	380	310	70	215
100	400	320	80	225
120	430	335	95	240

THIS DRAWING, DESIGNS AND CONCEPTS IS THE SOLE PROPERTY OF AIRENG PTY. LTD. AND IS TO BE RETURNED ON REQUEST. IT IS TO BE TREATED AS CONFIDENTIAL AND NOT TO BE COPIED OR COMMUNICATED TO ANY OTHER PERSON WITHOUT THE WRITTEN CONSENT OF AIRENG PTY. LTD.. IT MAY ONLY BE USED FOR MANUFACTURE WHEN ACCOMPANIED BY A WRITTEN ORDER.



**AIRENG** PTY. LTD. BAYSWATER VICTORIA AUSTRALIA  
Ph. (613) 9761 3333 Fax (613) 9761 0550  
ACN 060 593 164

DRAWN: VTG	TITLE: GENERAL ASSEMBLY
DATE: 19-03-99	D.5000 S.2000 ARR.9/Z CW90
CHECKED:	SUITS MOTOR SIZES TO D160L
DATE:	
REV. No.	SCALE DRAWING NO.
	QC D5000 S2000 G-C9Z

**A3**