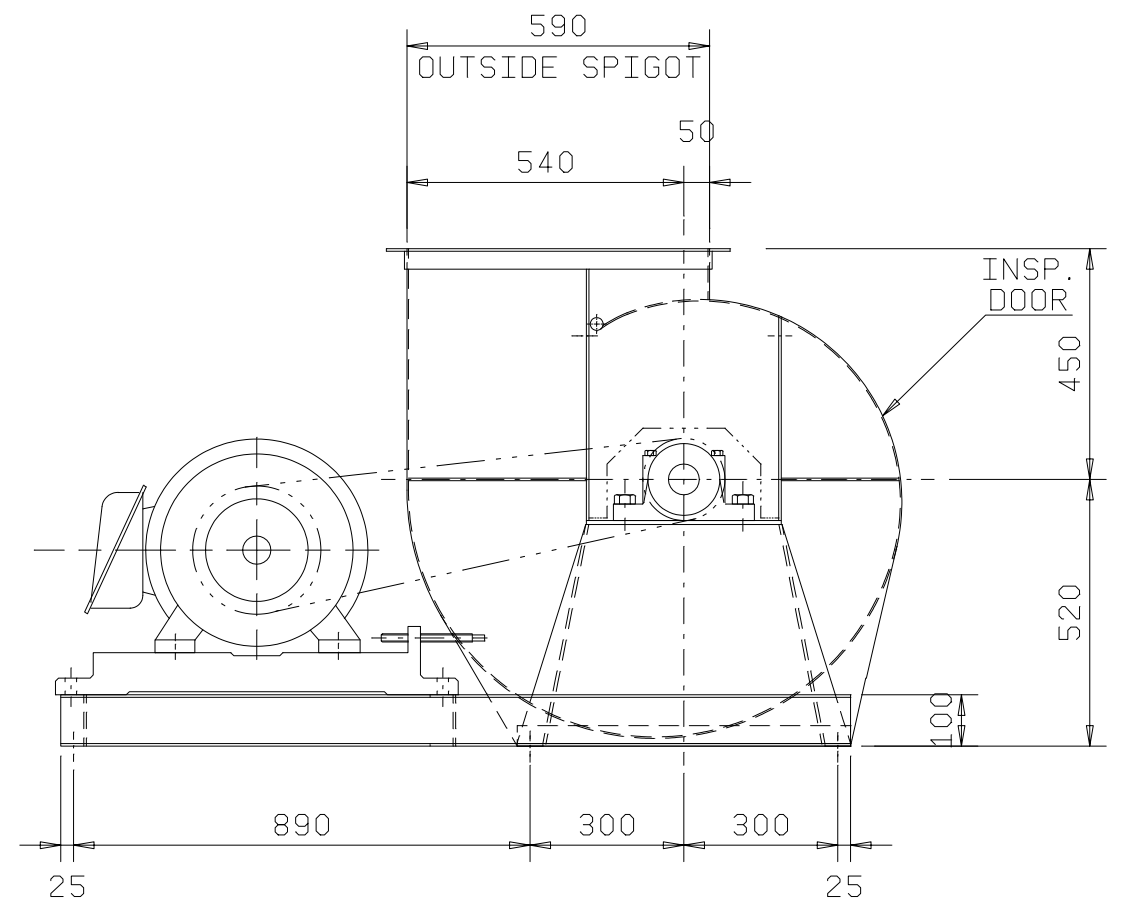
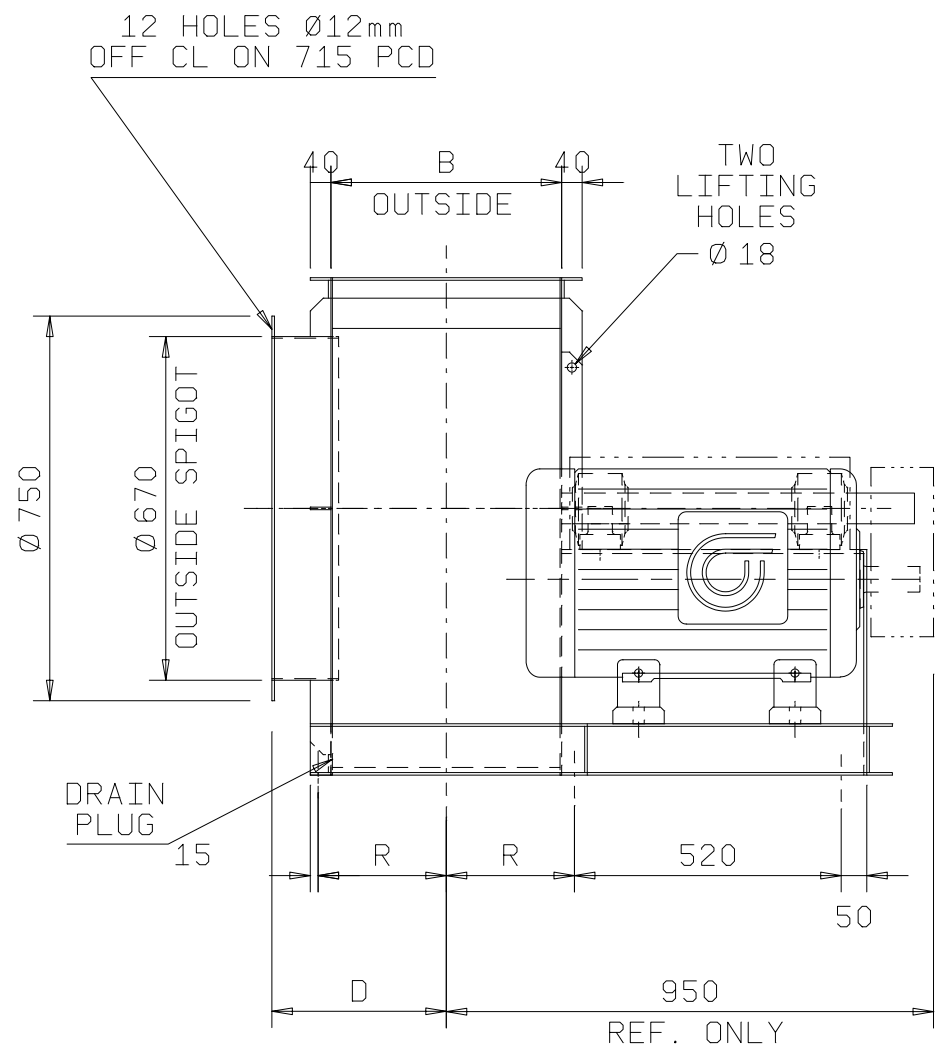
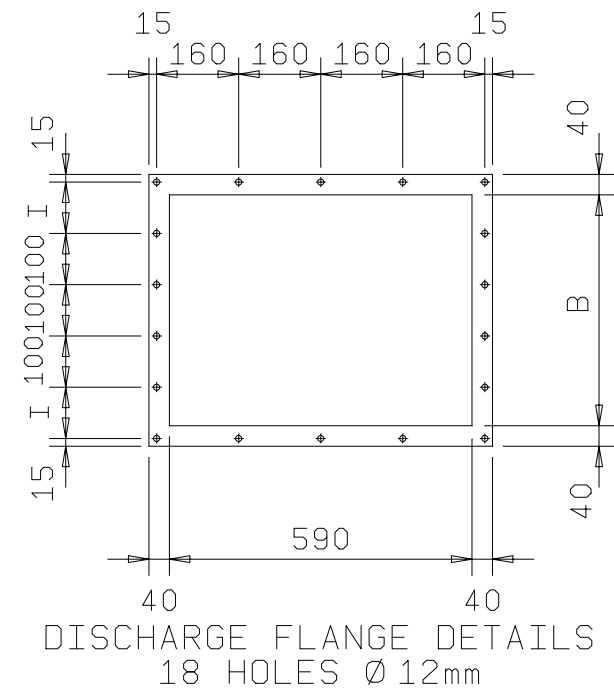


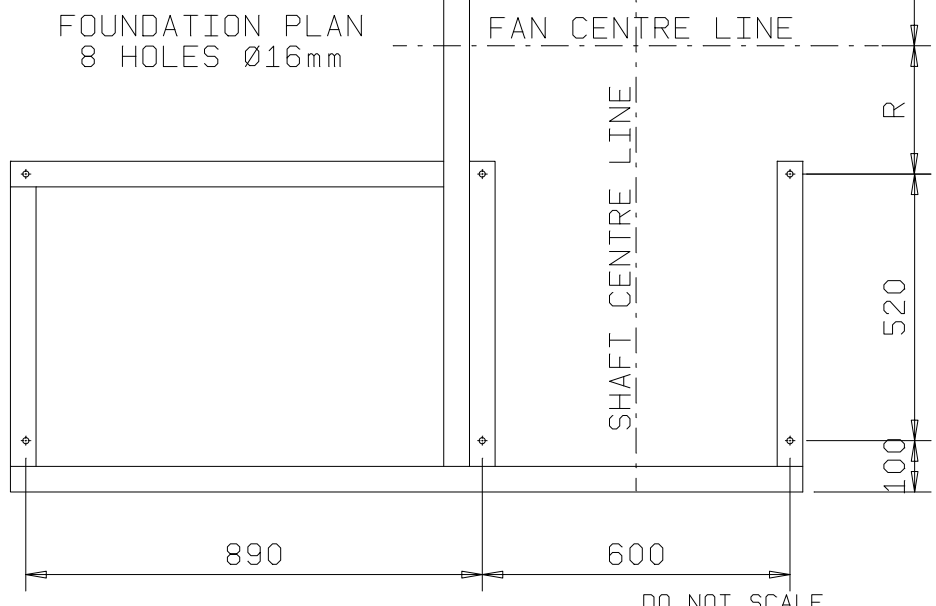
VIEW FROM DRIVE END



SUITS ALL MOTORS TO D225M



DISCHARGE FLANGE DETAILS
18 HOLES Ø12mm



DO NOT SCALE

CASING % WIDTH	B	D	I	R
40	370	300	60	210
60	400	315	75	225
80	420	325	85	235
100	450	340	100	250
120	480	355	115	265

THIS DRAWING, DESIGNS AND CONCEPTS IS THE SOLE PROPERTY OF AIRENG PTY. LTD. AND IS TO BE RETURNED ON REQUEST. IT IS TO BE TREATED AS CONFIDENTIAL AND NOT TO BE COPIED OR COMMUNICATED TO ANY OTHER PERSON WITHOUT THE WRITTEN CONSENT OF AIRENG PTY. LTD.. IT MAY ONLY BE USED FOR MANUFACTURE WHEN ACCOMPANIED BY A WRITTEN ORDER.

	BAYSWATER VICTORIA AUSTRALIA Ph. (613) 9761 3333 Fax (613) 9761 0550 ACN 060 593 164	
	DRAWN: VTG DATE: 11-03-99	TITLE: GENERAL ASSEMBLY D.5000 S.2225 ARR.1/Z CW90
CHECKED: DATE:	SUITS MOTOR SIZES UP TO D225M	
REV. No.	SCALE	DRAWING NO. QC D5000 S2225 G-C1Z

A3