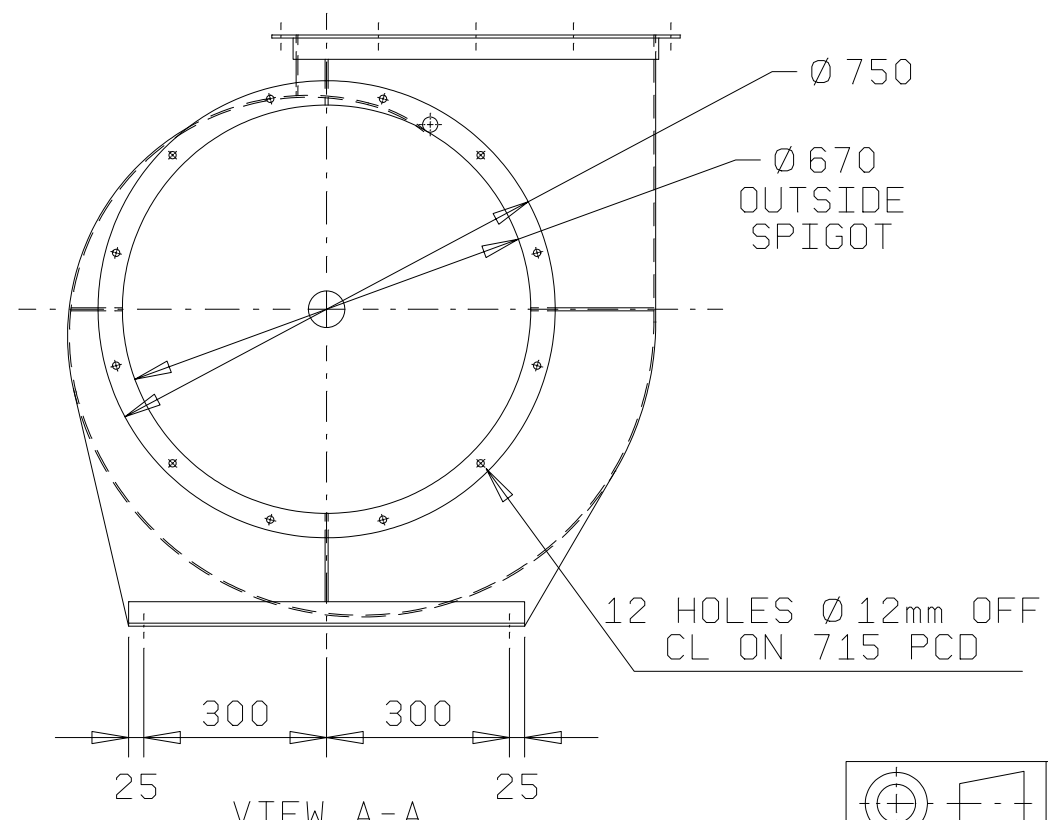
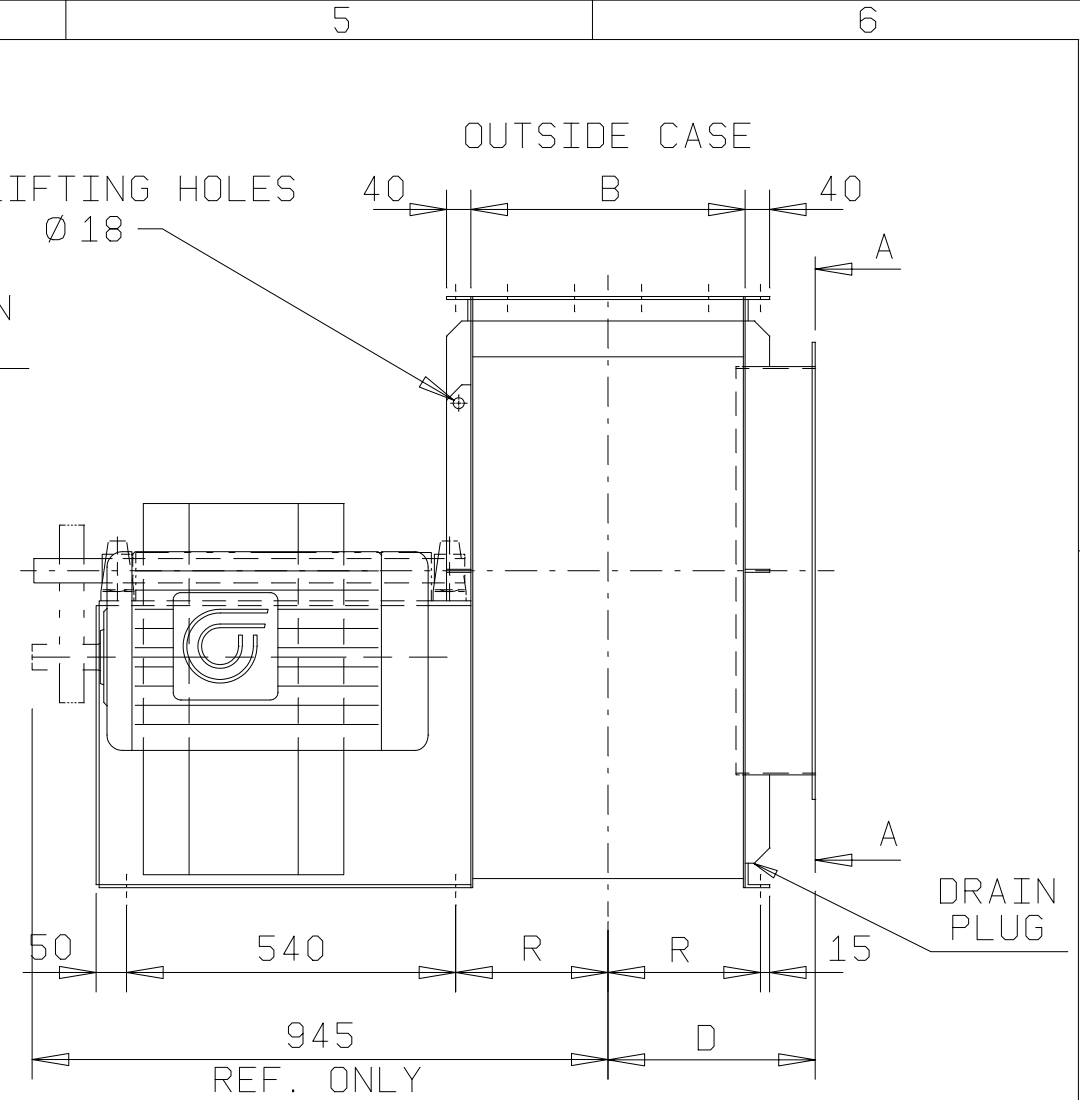
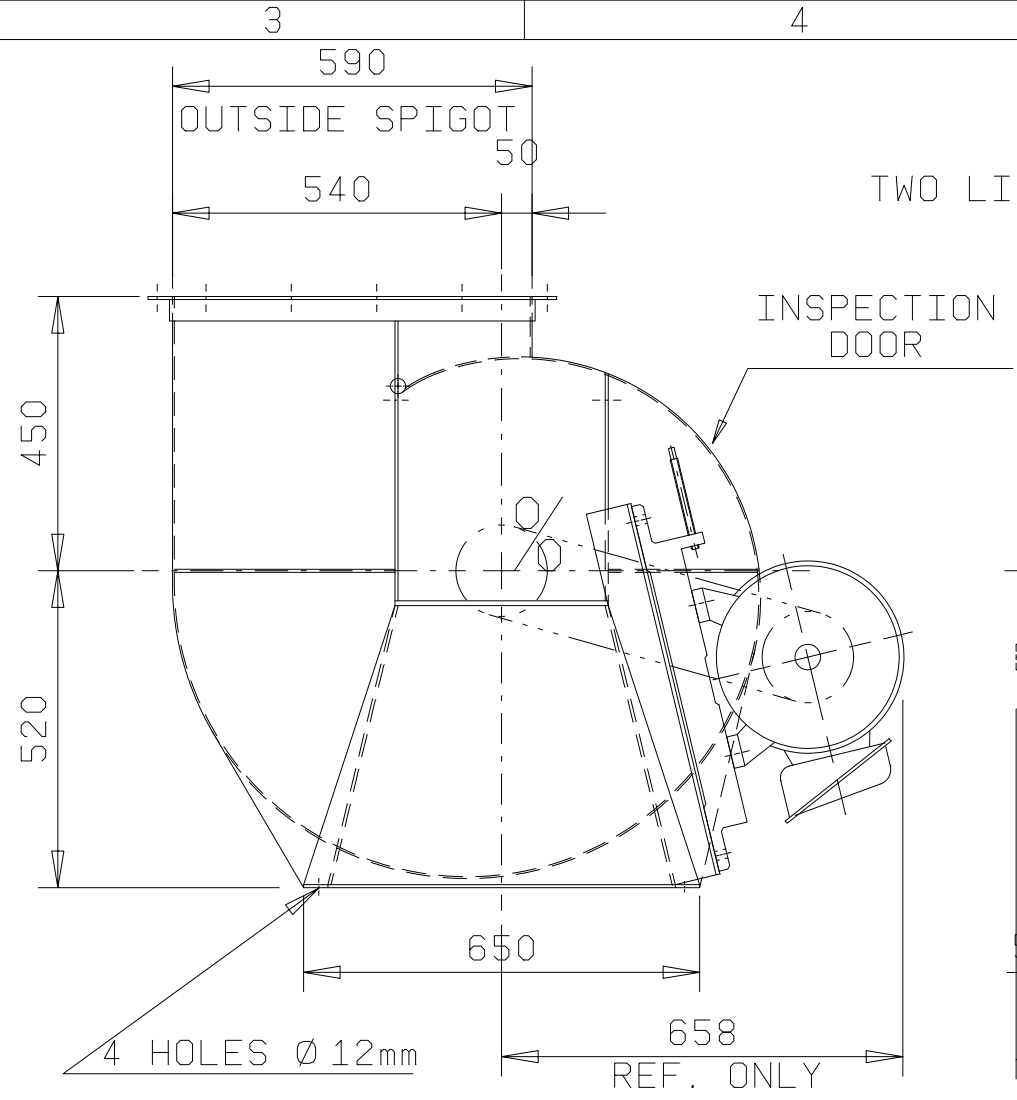
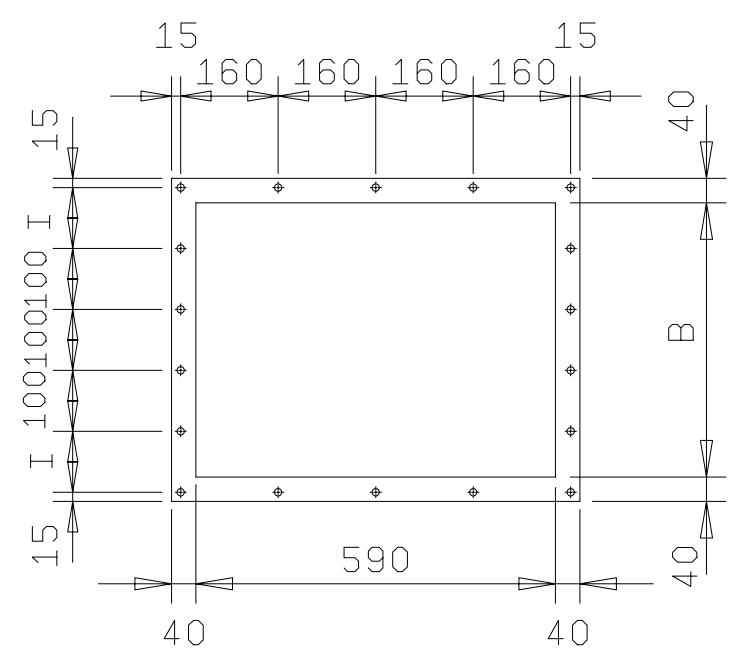


CW225 TAD VIEW FROM DRIVE END CW270 DB



CASING % WIDTH	B	D	I	R
40	370	300	60	210
60	400	315	75	225
80	420	325	85	235
100	450	340	100	250
120	480	355	115	265

DO NOT SCALE

THIS DRAWING, DESIGNS AND CONCEPTS IS THE SOLE PROPERTY OF AIRENG PTY. LTD. AND IS TO BE RETURNED ON REQUEST. IT IS TO BE TREATED AS CONFIDENTIAL AND NOT TO BE COPIED OR COMMUNICATED TO ANY OTHER PERSON WITHOUT THE WRITTEN CONSENT OF AIRENG PTY. LTD.. IT MAY ONLY BE USED FOR MANUFACTURE WHEN ACCOMPANIED BY A WRITTEN ORDER.

 DRAFTING STANDARD AS1100-1984 CAD FILE No.	 BAYSWATER VICTORIA AUSTRALIA Ph. (613) 9761 3333 Fax (613) 9761 0550 ACN 060 583 164
	DRAWN: RGT DATE: 2-10-95 CHECKED: DATE: REV. No.
	A3