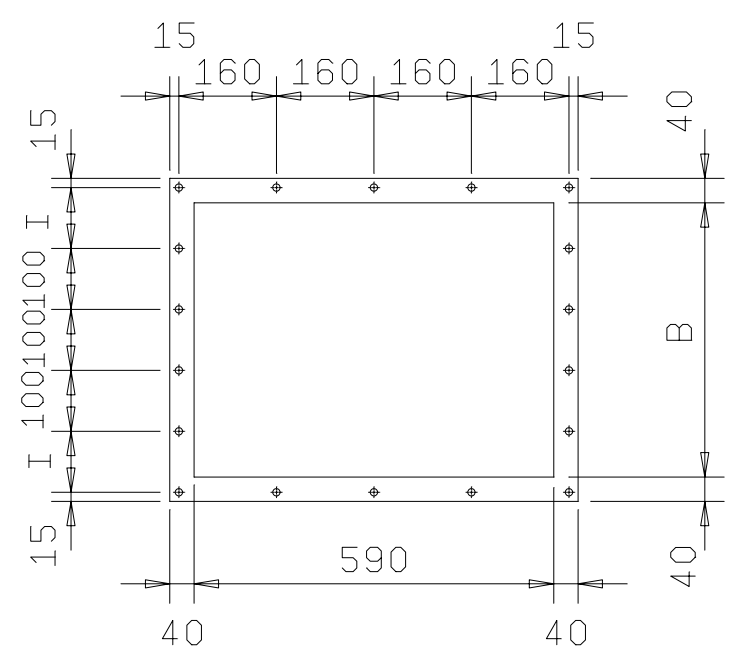
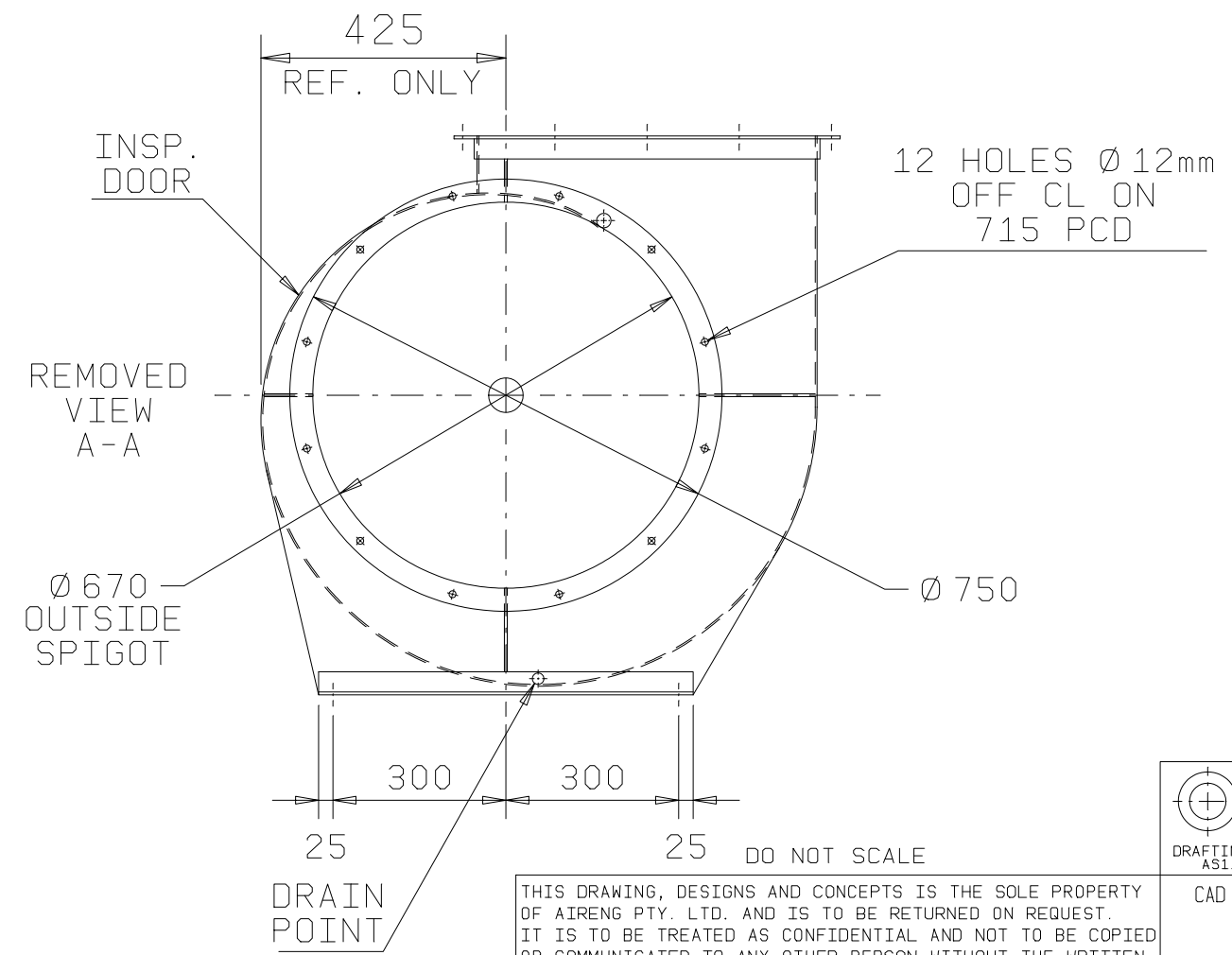
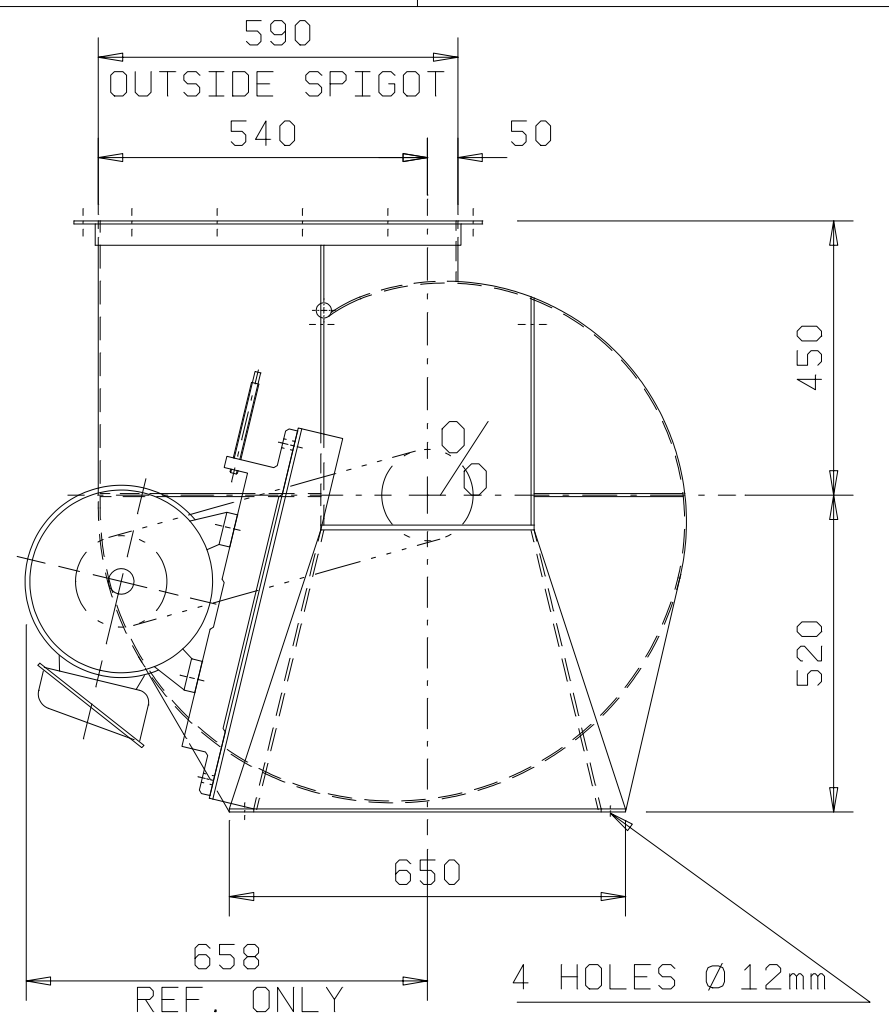
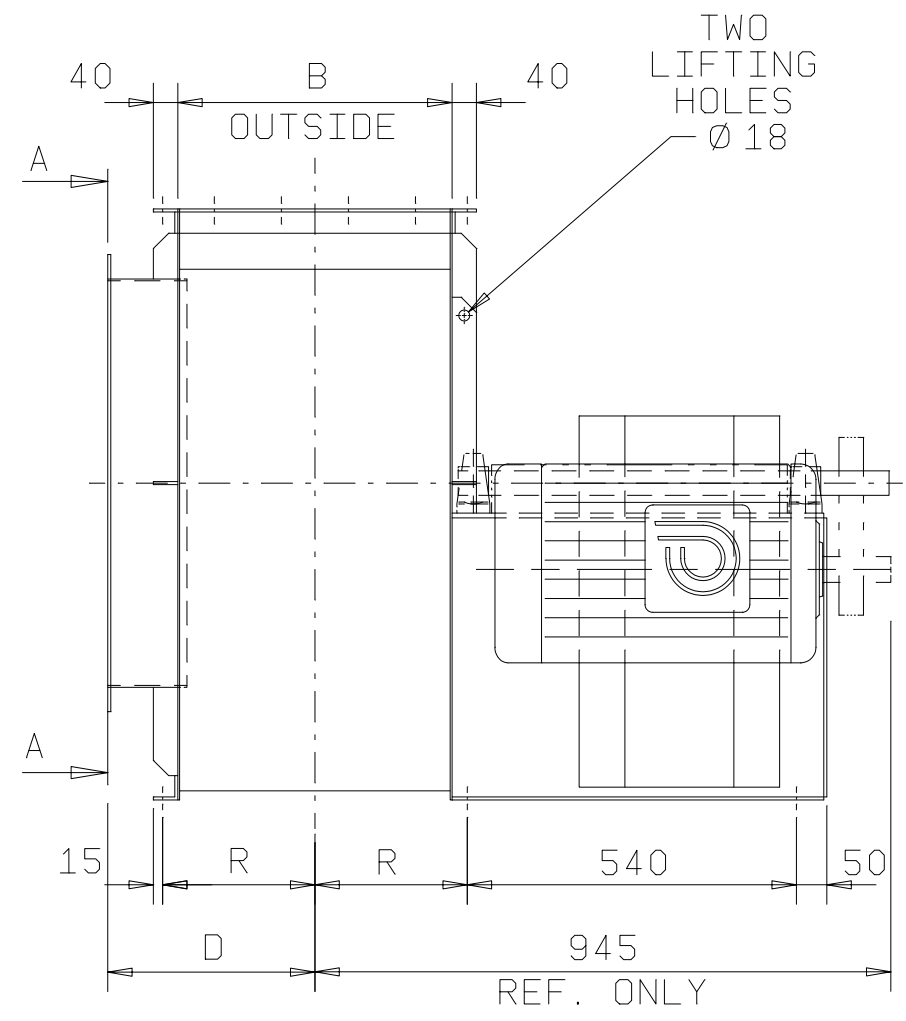


CW225 TAD CW270 DB
VIEW FROM DRIVE END



DISCHARGE FLANGE DETAILS
18 HOLES Ø 12mm



CASING % WIDTH	B	D	I	R
40	370	300	60	210
60	400	315	75	225
80	420	325	85	235
100	450	340	100	250
120	480	355	115	265

<p>DRAFTING STANDARD AS1100-1984</p>	<p>BAYSWATER VICTORIA AUSTRALIA Ph. (613) 9761 3333 Fax (613) 9761 0550 ACN 060 583 164</p>		
	<p>DRAWN: VTG</p> <p>DATE: 19-03-99</p> <p>CHECKED:</p> <p>DATE:</p>	<p>TITLE: GENERAL ASSEMBLY</p> <p>D.5000 S.2225 ARR.9/Z CW90</p> <p>SUITS MOTOR SIZES UP TO D160L</p>	
<p>CAD FILE No.</p>	<p>REV. No.</p>	<p>SCALE</p>	<p>DRAWING NO. QC D5000 S2225 G-C9Z</p>

THIS DRAWING, DESIGNS AND CONCEPTS IS THE SOLE PROPERTY OF AIRENG PTY. LTD. AND IS TO BE RETURNED ON REQUEST. IT IS TO BE TREATED AS CONFIDENTIAL AND NOT TO BE COPIED OR COMMUNICATED TO ANY OTHER PERSON WITHOUT THE WRITTEN CONSENT OF AIRENG PTY. LTD.. IT MAY ONLY BE USED FOR MANUFACTURE WHEN ACCOMPANIED BY A WRITTEN ORDER.

DO NOT SCALE