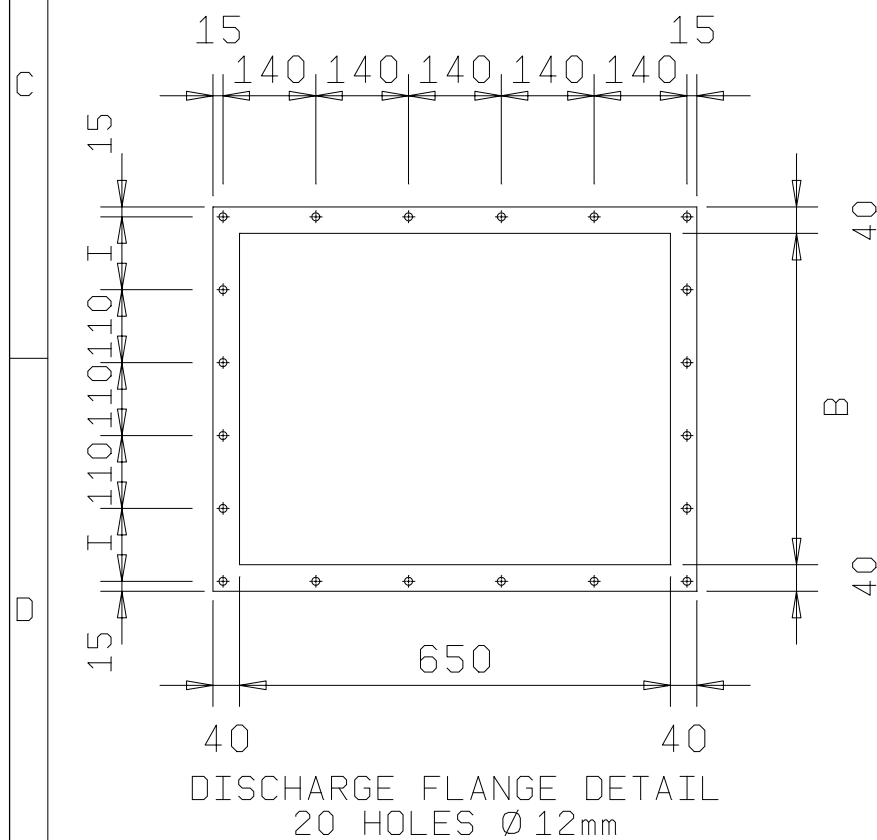


SUITS ALL MOTOR FRAMES TO D160L

CASING % WIDTH	B	D	I
40	410	325	65
60	430	335	75
80	470	355	95
100	500	370	110
120	530	385	125



DO NOT SCALE

THIS DRAWING, DESIGNS AND CONCEPTS IS THE SOLE PROPERTY OF AIRENG PTY. LTD. AND IS TO BE RETURNED ON REQUEST. IT IS TO BE TREATED AS CONFIDENTIAL AND NOT TO BE COPIED OR COMMUNICATED TO ANY OTHER PERSON WITHOUT THE WRITTEN CONSENT OF AIRENG PTY. LTD.. IT MAY ONLY BE USED FOR MANUFACTURE WHEN ACCOMPANIED BY A WRITTEN ORDER.

			BAYSWATER VICTORIA AUSTRALIA Ph. (613) 9761 3333 Fax (613) 9761 0550 ACN 060 593 164	
	DRAWN: VTG DATE: 20-08-98 CHECKED: DATE:	TITLE: GENERAL ASSEMBLY D5000 S2450 ARR.4F CW SUITS MOTOR SIZES TO D160L		
CAD FILE No. 	REV. No.	SCALE	DRAWING NO. QC D5000 S2450 G-C4F	