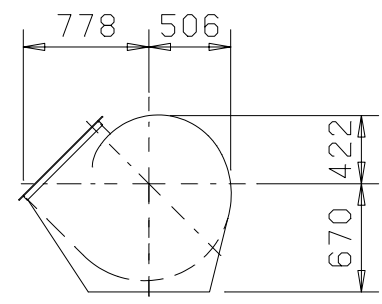
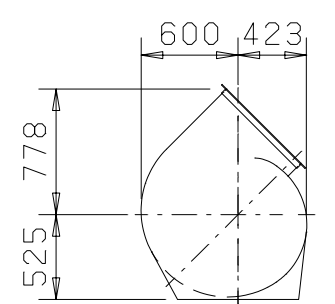


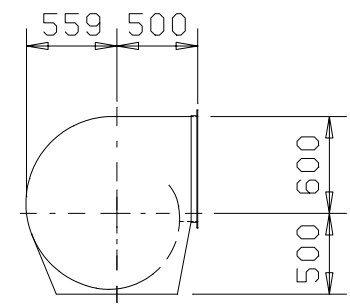
CW0 BH



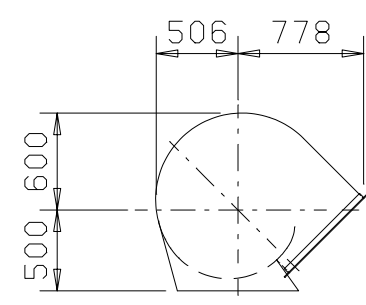
CW45 BAU



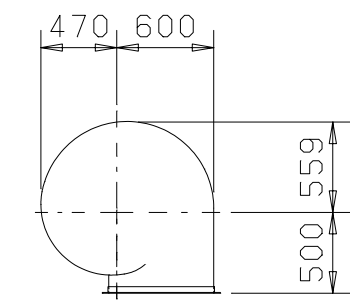
CW135 TAU



CW180 TH

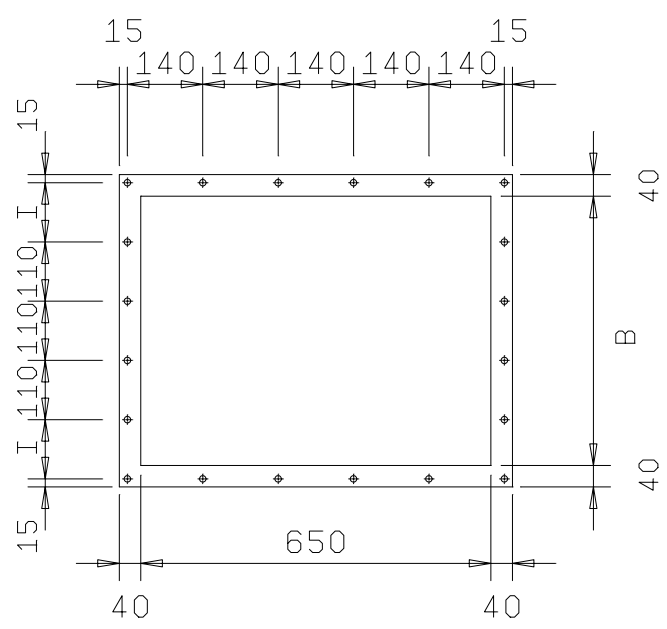


CW225 TAD

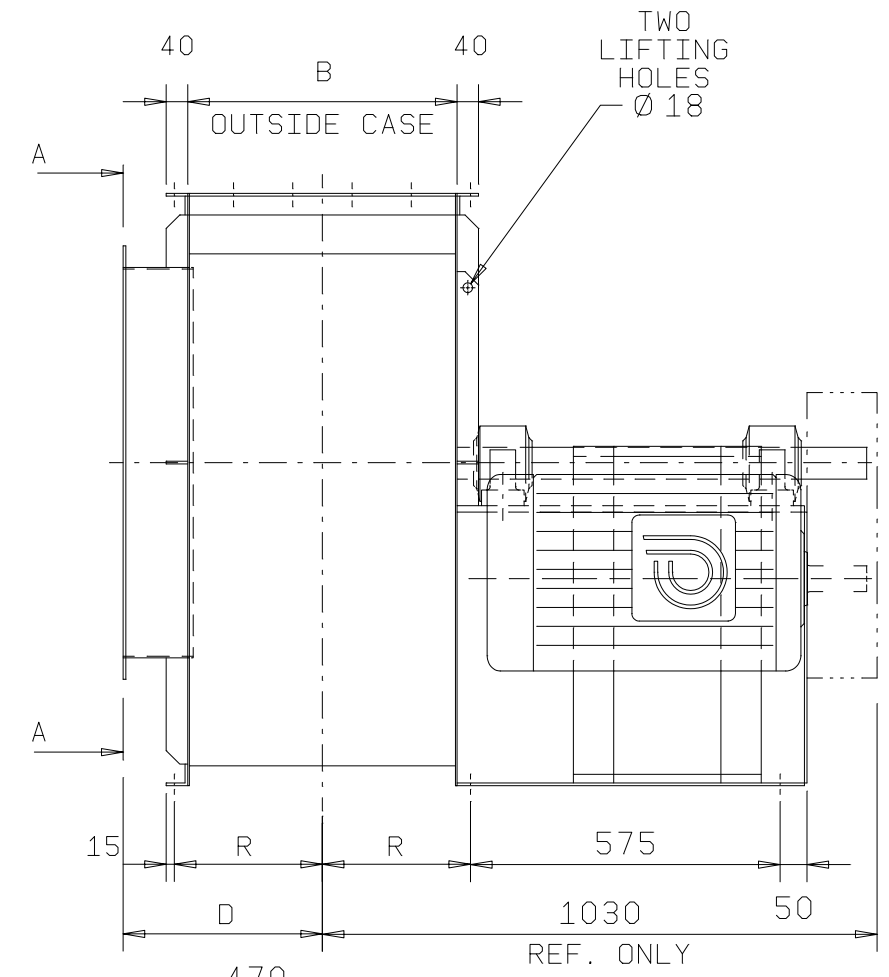


CW270 DB

VIEW FROM DRIVE SIDE

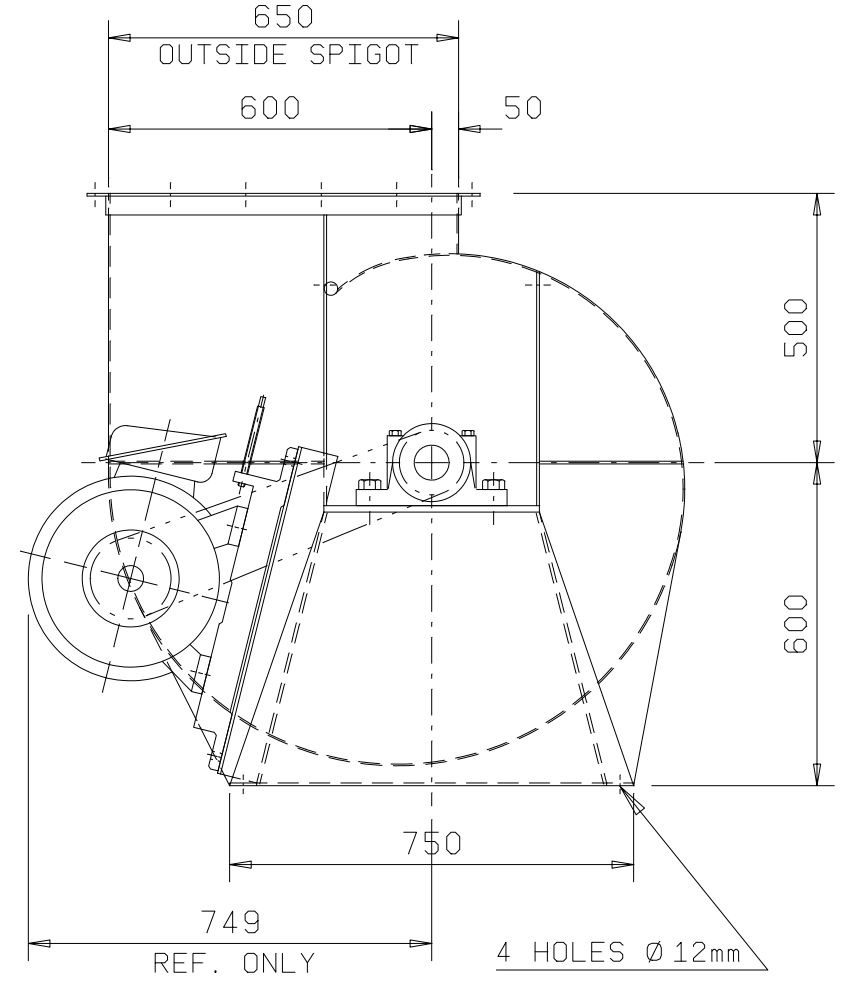
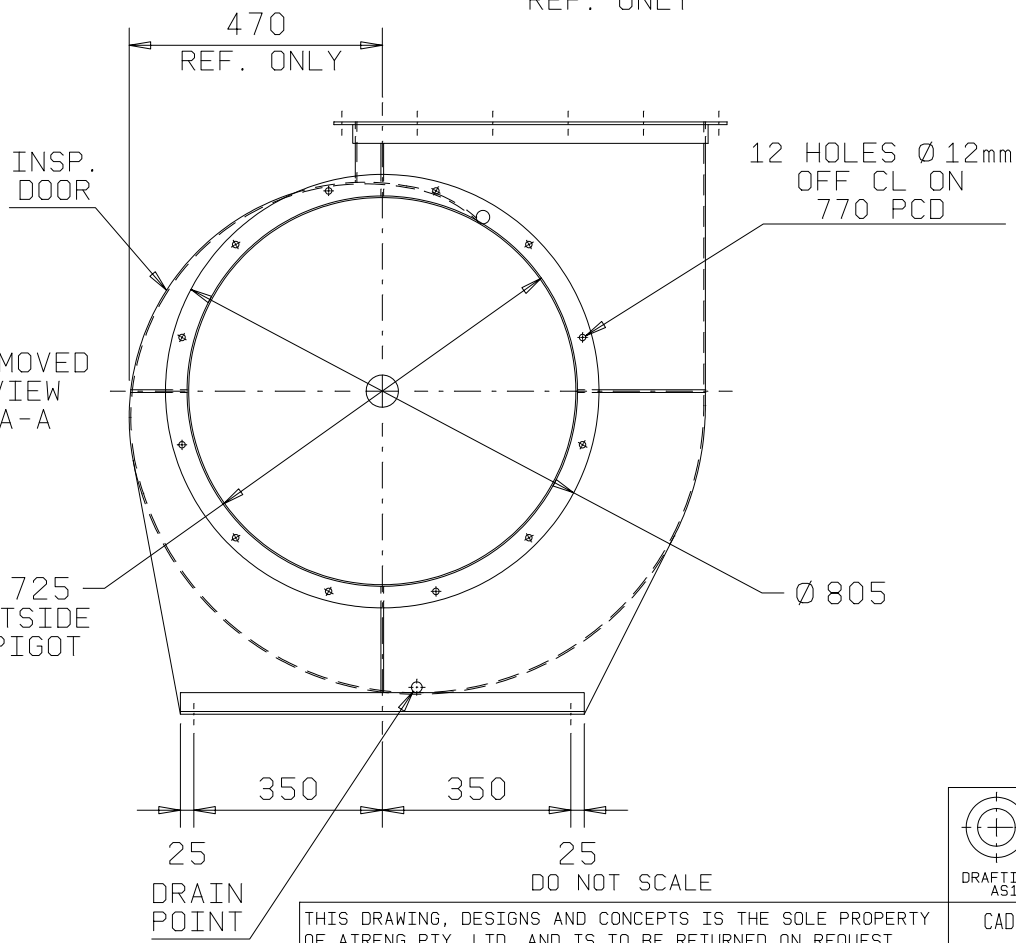


DISCHARGE FLANGE DETAIL
20 HOLES Ø12mm



TWO LIFTING HOLES Ø18

REF. ONLY



SUITS ALL MOTOR FRAMES TO D180L

CASING % WIDTH	B	D	I	R
40	410	325	65	230
60	430	335	75	240
80	470	355	95	260
100	500	370	110	275
120	530	385	125	290

			BAYSWATER VICTORIA AUSTRALIA Ph. (613) 9761 3333 Fax (613) 9761 0550 ACN 060 593 164	
	DRAWN: VTG DATE: 19-03-99 CHECKED: DATE:	TITLE: GENERAL ASSEMBLY D.5000 S.2450 ARR.9/Z CW90 SUITS MOTOR SIZES TO D180L		
CAD FILE No.	REV. No.	SCALE	DRAWING NO. QC D5000 S2450 G-C9Z	

THIS DRAWING, DESIGNS AND CONCEPTS IS THE SOLE PROPERTY OF AIRENG PTY. LTD. AND IS TO BE RETURNED ON REQUEST. IT IS TO BE TREATED AS CONFIDENTIAL AND NOT TO BE COPIED OR COMMUNICATED TO ANY OTHER PERSON WITHOUT THE WRITTEN CONSENT OF AIRENG PTY. LTD.. IT MAY ONLY BE USED FOR MANUFACTURE WHEN ACCOMPANIED BY A WRITTEN ORDER.