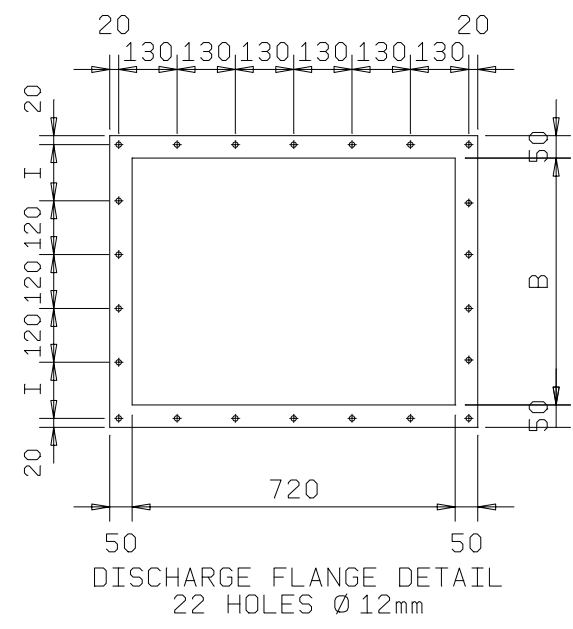
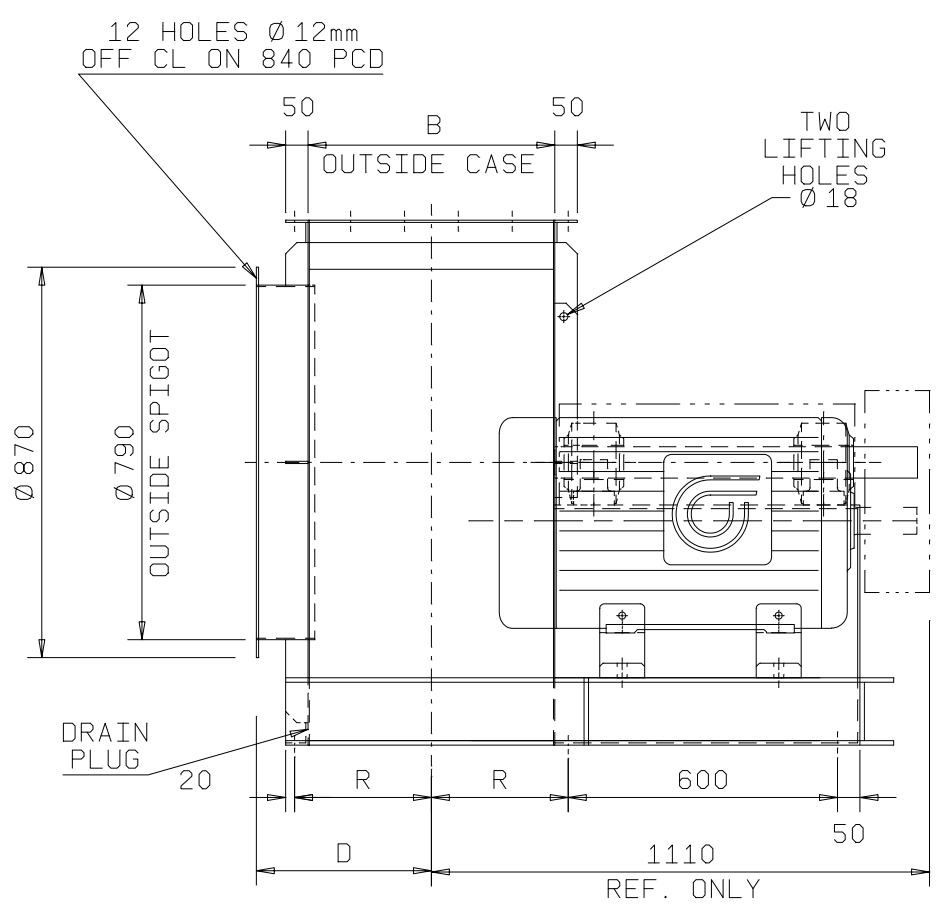


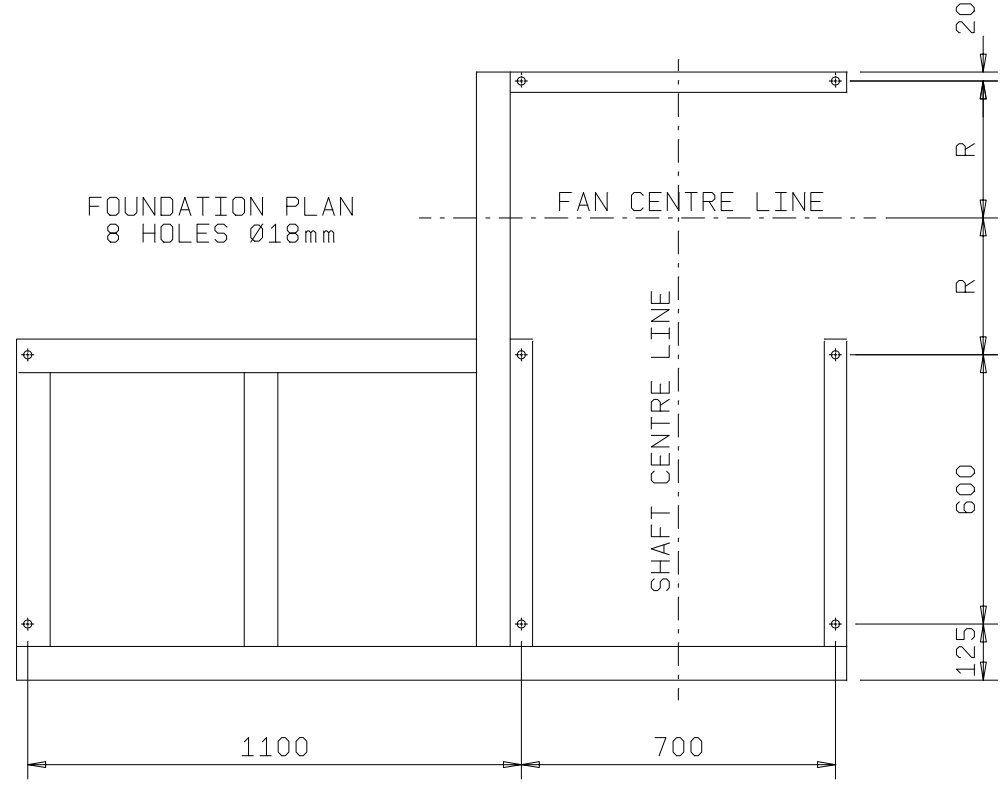
VIEW FROM DRIVE END



DISCHARGE FLANGE DETAIL  
22 HOLES Ø12mm

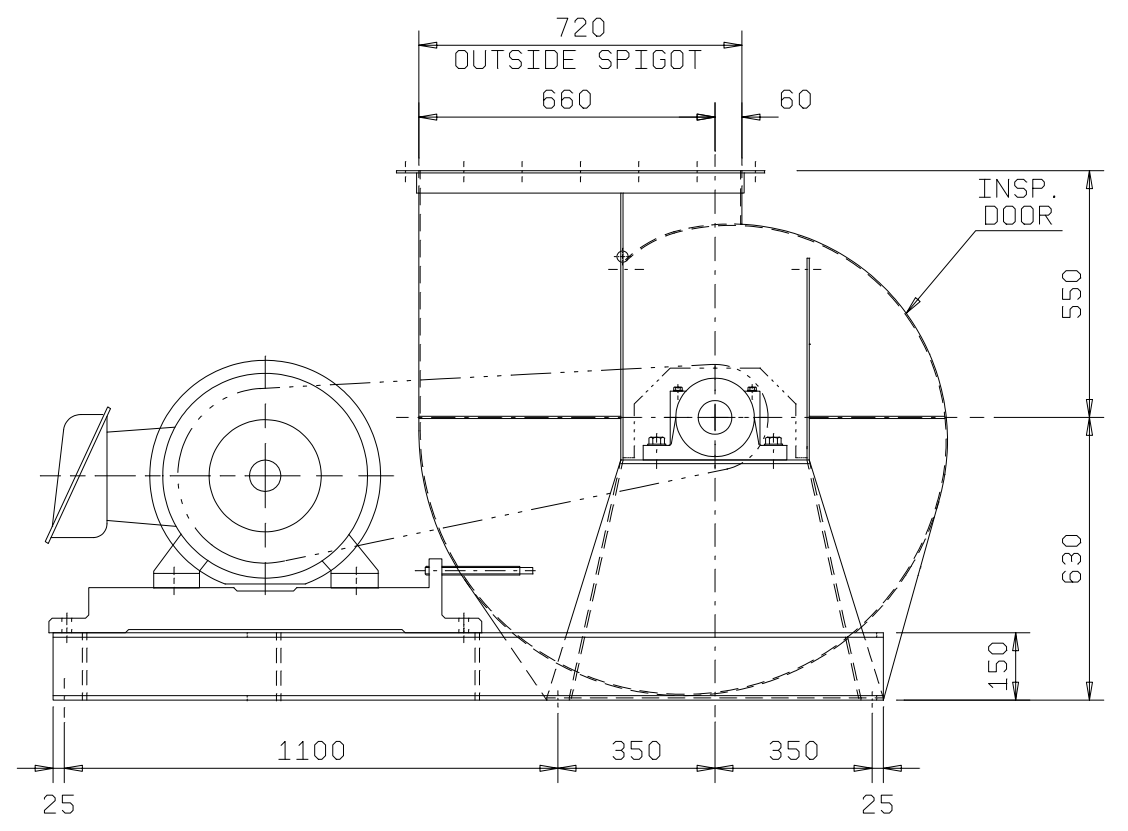


FOUNDATION PLAN  
8 HOLES Ø18mm



DO NOT SCALE

THIS DRAWING, DESIGNS AND CONCEPTS IS THE SOLE PROPERTY OF AIRENG PTY. LTD. AND IS TO BE RETURNED ON REQUEST. IT IS TO BE TREATED AS CONFIDENTIAL AND NOT TO BE COPIED OR COMMUNICATED TO ANY OTHER PERSON WITHOUT THE WRITTEN CONSENT OF AIRENG PTY. LTD.. IT MAY ONLY BE USED FOR MANUFACTURE WHEN ACCOMPANIED BY A WRITTEN ORDER.



SUITS ALL MOTOR FRAMES TO D250M

CASING % WIDTH	B	D	I	R
40	450	340	65	255
60	480	355	90	270
80	510	370	105	285
100	550	390	125	305
120	590	410	145	325

REV. A	DATE 18/05/00	MODIFICATION foundation holes were Ø20 now Ø18	SIGN. SJR
--------	---------------	--	-----------

 AIRENG PTY. LTD. BAYSWATER VICTORIA AUSTRALIA Ph. (613) 9761 3333 Fax (613) 9761 0550 ACN 060 593 164	DRAWN: VTG DATE: 11-03-99 CHECKED: DATE:	TITLE: GENERAL ASSEMBLY D.5000 S.2700 ARR.1/Z CW90 SUITS FRAME SIZE D100L TO D250M
	CAD FILE No. REV. No. A	SCALE DRAWING NO. QC D5000 S2700 G-C1Z

