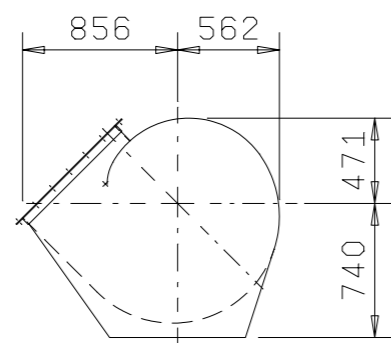
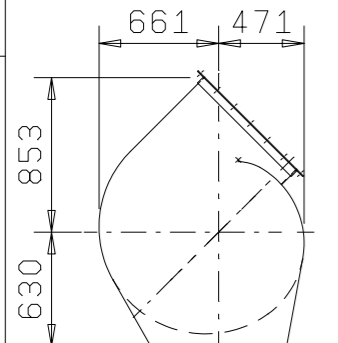


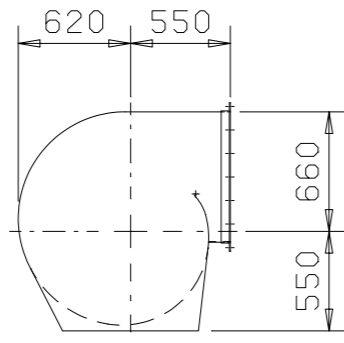
CW0 BH



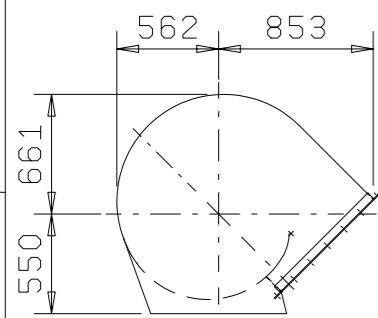
CW45 BAU



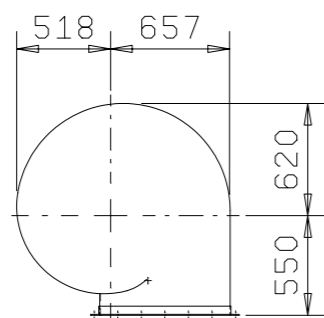
CW135 TAU



CW180 TH

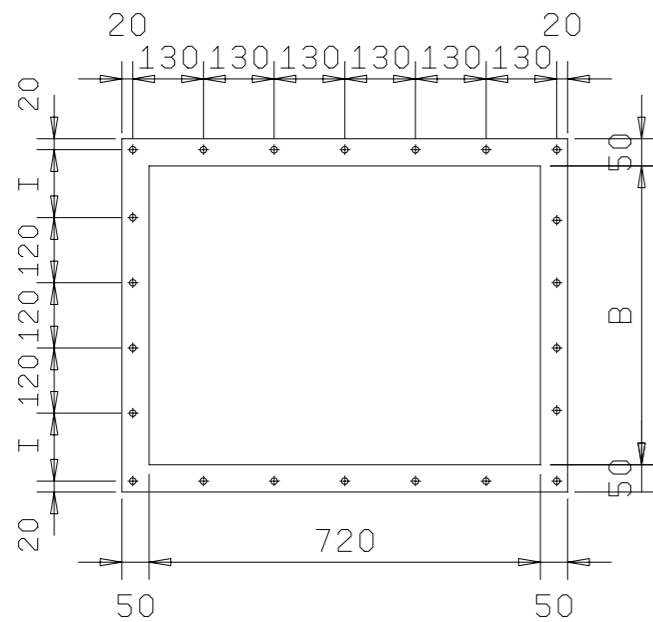


CW225 TAD

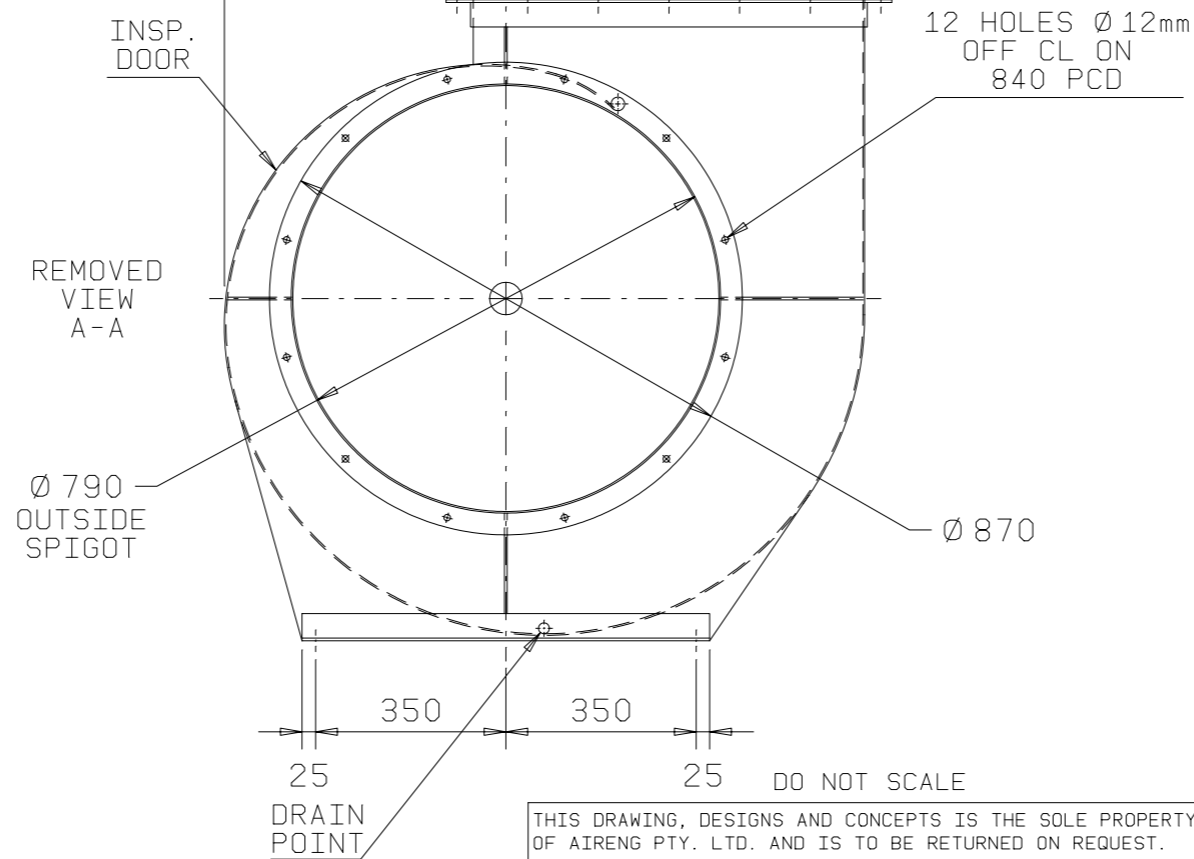
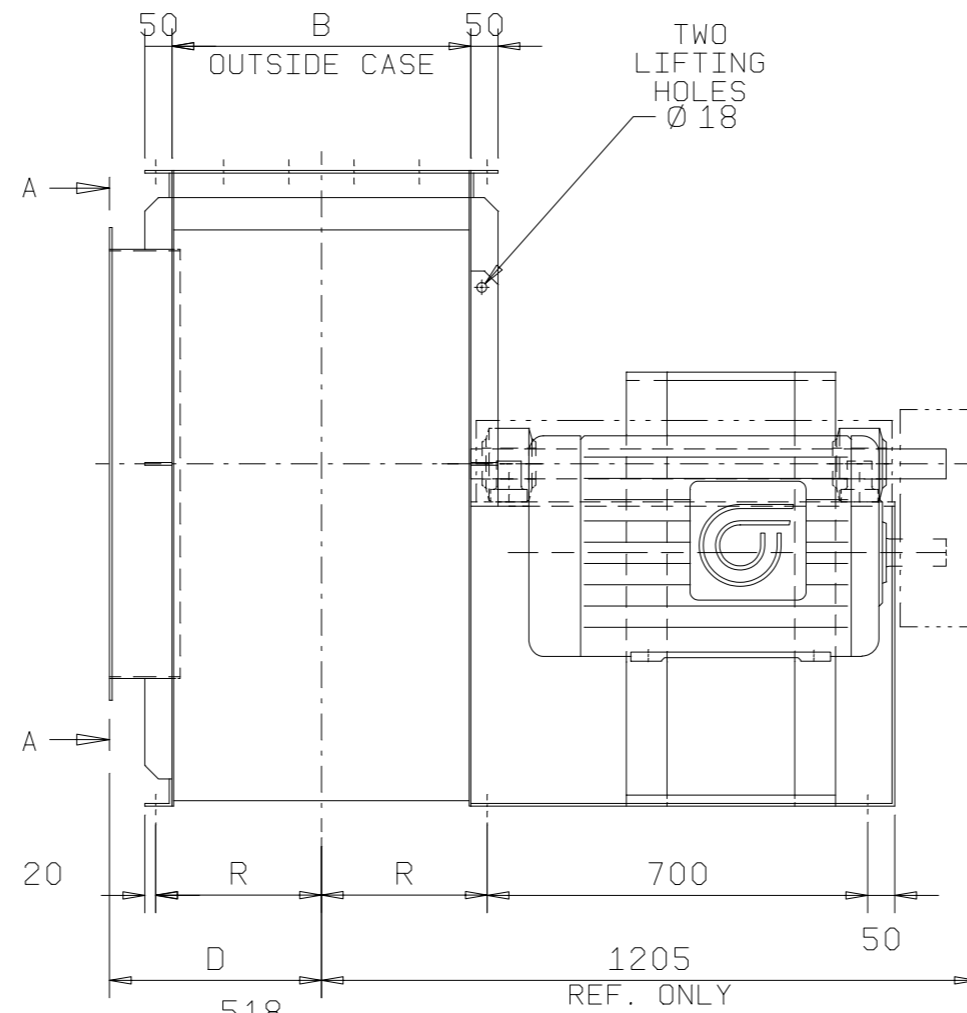


CW270 DB

VIEW FROM DRIVE END

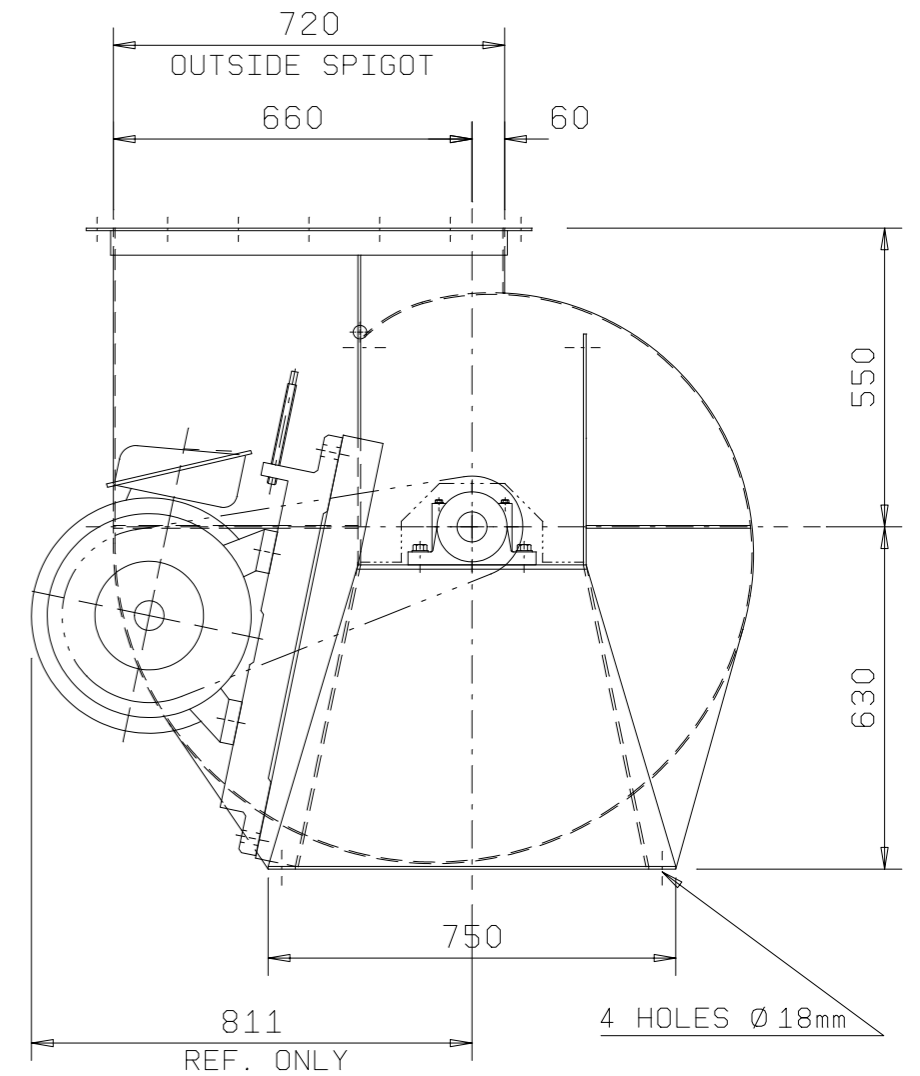


DISCHARGE FLANGE DETAIL  
22 HOLES Ø12mm



DO NOT SCALE  
DRAIN POINT

THIS DRAWING, DESIGNS AND CONCEPTS IS THE SOLE PROPERTY OF AIRENG PTY. LTD. AND IS TO BE RETURNED ON REQUEST. IT IS TO BE TREATED AS CONFIDENTIAL AND NOT TO BE COPIED OR COMMUNICATED TO ANY OTHER PERSON WITHOUT THE WRITTEN CONSENT OF AIRENG PTY. LTD.. IT MAY ONLY BE USED FOR MANUFACTURE WHEN ACCOMPANIED BY A WRITTEN ORDER.



SUITS ALL MOTOR FRAMES TO D225M

CASING % WIDTH	B	D	I	R
40	450	340	65	255
60	480	355	90	270
80	510	370	105	285
100	550	390	125	305
120	590	410	145	325

A	18/05/00	foundation holes were Ø12 now Ø18	SJR
REV.	DATE	MODIFICATION	SIGN.

**AIRENG** PTY. LTD. BAYSWATER VICTORIA AUSTRALIA  
Ph. (613) 9761 3333 Fax (613) 9761 0550  
ACN 060 583 164

DRAWN: VTG DATE: 19-03-99  
CHECKED: DATE: \_\_\_\_\_  
REV. No. \_\_\_\_\_

TITLE: GENERAL ASSEMBLY  
D.5000 S.2700 ARR.9/Z CW90  
SUITS FRAME SIZE D100L TO D225M  
SCALE: \_\_\_\_\_ DRAWING NO. QC D500 S2700 G-C9Z

**A3**

THIS DRAWING, DESIGNS AND CONCEPTS IS THE SOLE PROPERTY OF AIRENG PTY. LTD. AND IS TO BE RETURNED ON REQUEST. IT IS TO BE TREATED AS CONFIDENTIAL AND NOT TO BE COPIED OR COMMUNICATED TO ANY OTHER PERSON WITHOUT THE WRITTEN CONSENT OF AIRENG PTY. LTD.. IT MAY ONLY BE USED FOR MANUFACTURE WHEN ACCOMPANIED BY A WRITTEN ORDER.