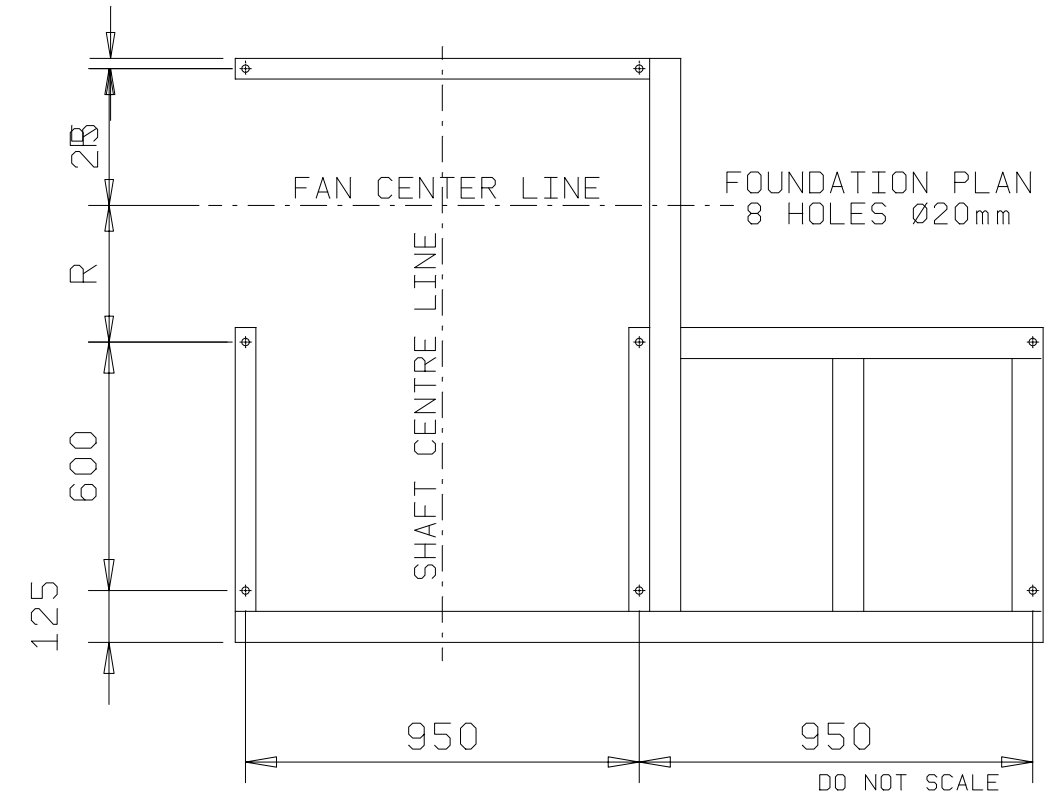
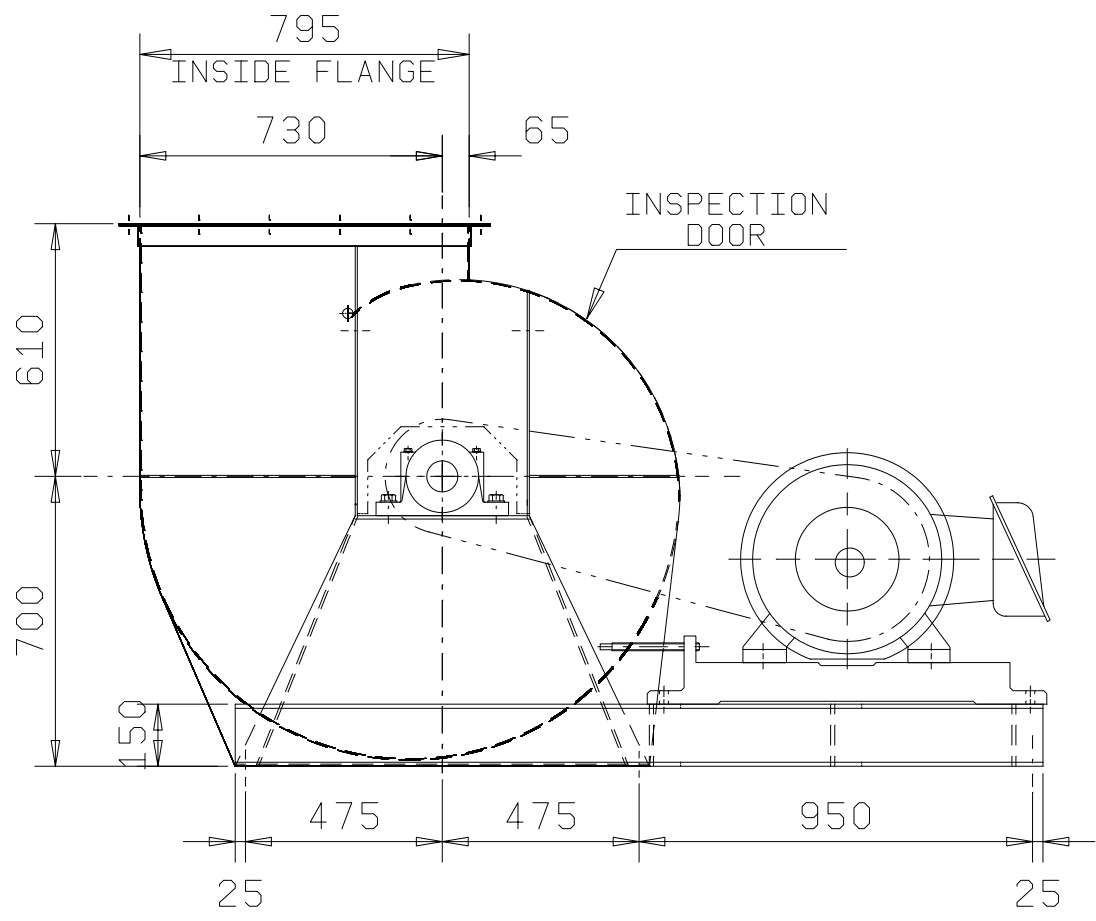
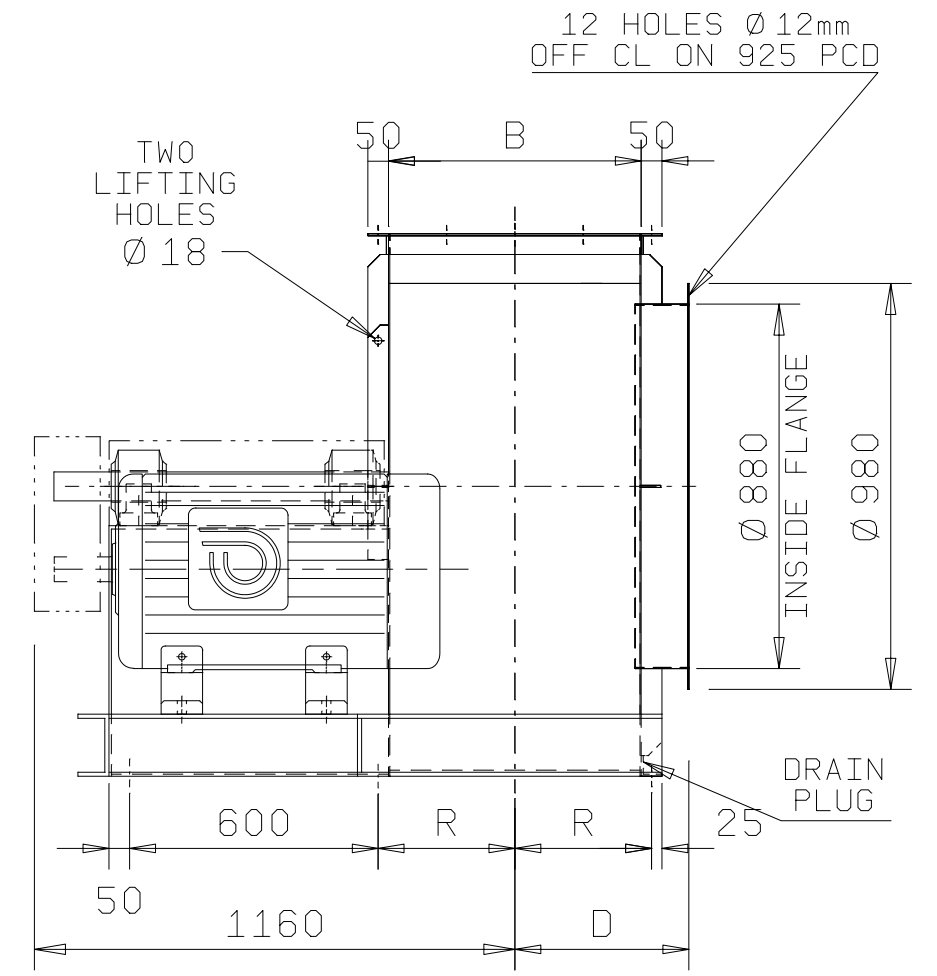


DISCHARGE FLANGE DETAIL
18 HOLES Ø12mm



THIS DRAWING, DESIGNS AND CONCEPTS IS THE SOLE PROPERTY OF AIRENG PTY. LTD. AND IS TO BE RETURNED ON REQUEST. IT IS TO BE TREATED AS CONFIDENTIAL AND NOT TO BE COPIED OR COMMUNICATED TO ANY OTHER PERSON WITHOUT THE WRITTEN CONSENT OF AIRENG PTY. LTD.. IT MAY ONLY BE USED FOR MANUFACTURE WHEN ACCOMPANIED BY A WRITTEN ORDER.



SUITS ALL MOTOR FRAMES TO D250M

CASING % WIDTH	B	D	I	R
40	490	360	105	270
60	530	380	125	290
80	570	400	145	310
100	610	420	165	330
120	650	440	185	350

		BAYSWATER VICTORIA AUSTRALIA Ph. (613) 9761 3333 Fax (613) 9761 0550 ACN 060 593 164	
	DRAWN: VTG DATE: 10-2-98 CHECKED: DATE:	TITLE: GENERAL ASSEMBLY DESIGN 5000 SIZE 3000 ARR.1/W CW90 SUITS ALL MOTOR FRAMES TO D250M	
CAD FILE No.	REV. No.	SCALE	DRAWING NO. QC D5000 S3000 G-C1W

A3