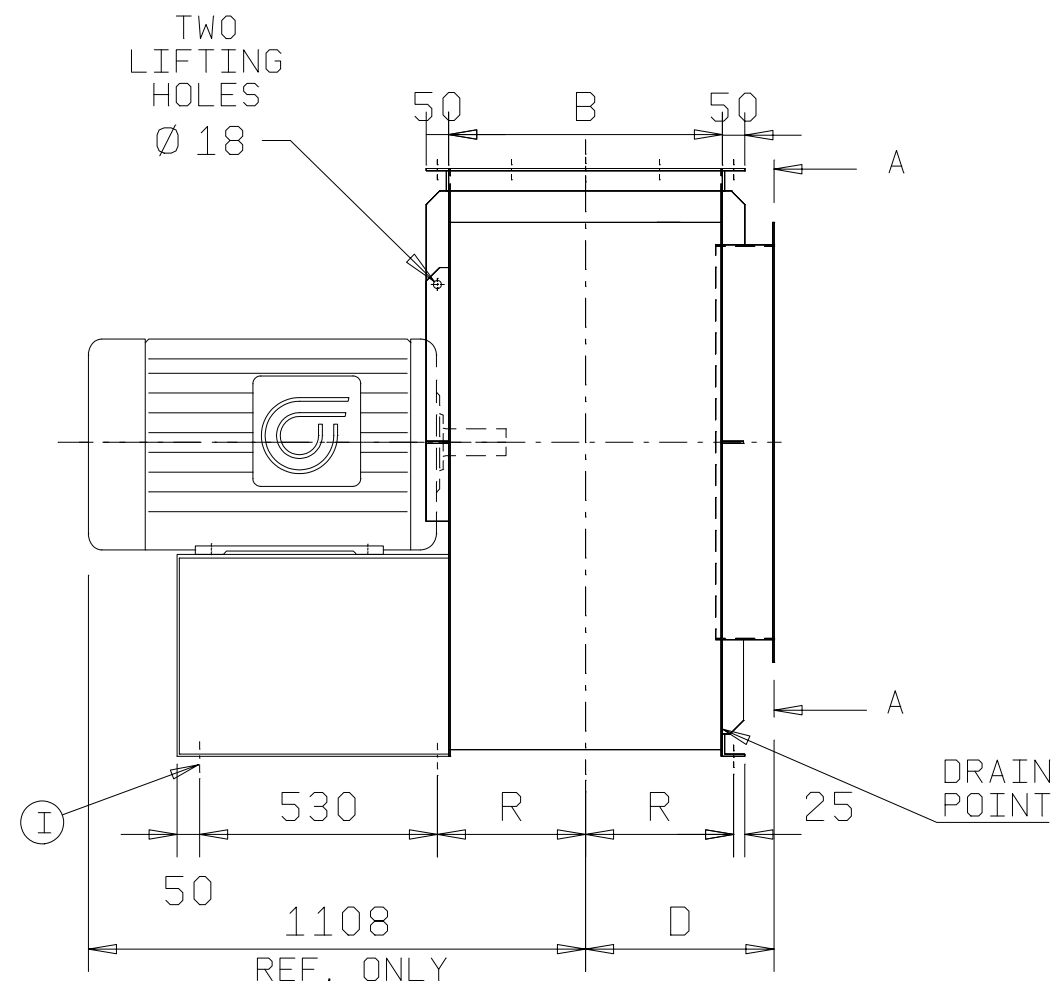
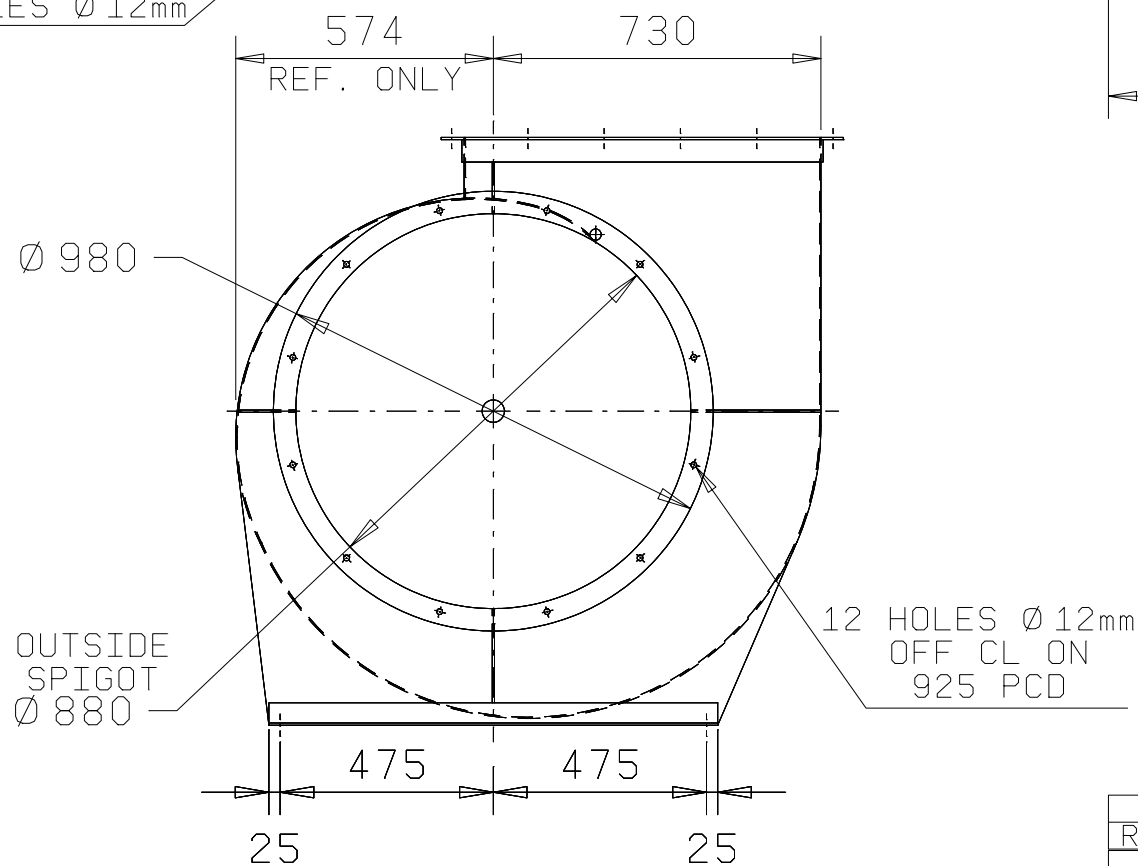
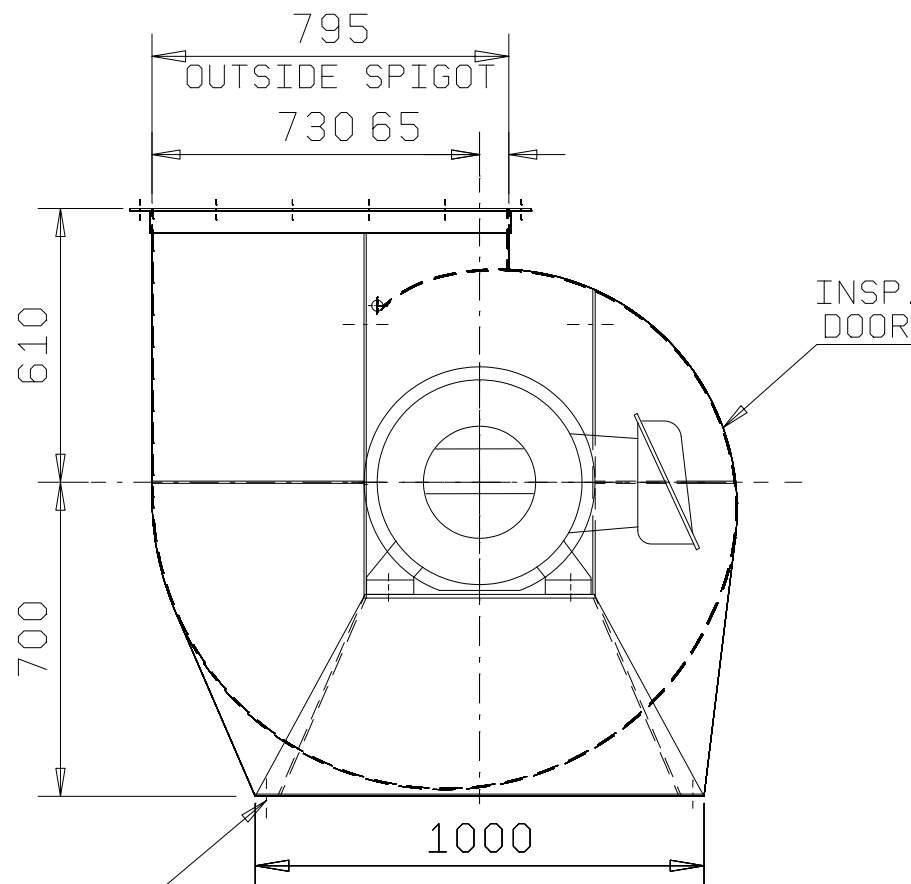
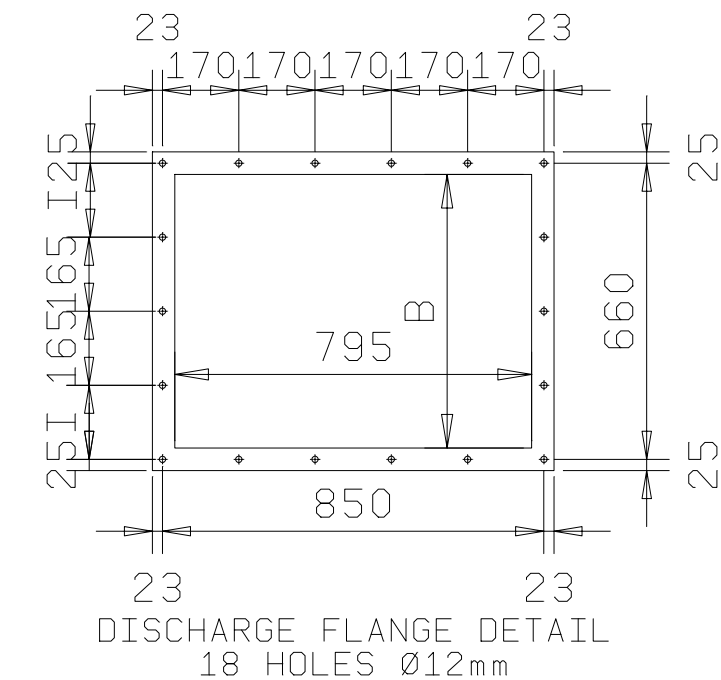


VIEW FROM DRIVE END



SUITS ALL MOTOR FRAMES TO D250M

CASING % WIDTH	B	D	I	R
40	490	360	105	270
60	530	380	125	290
80	570	400	145	310
100	610	420	165	330
120	650	440	185	350

I	30/07/98	change pedestal foundation bolt hole position	VTG
Rev.	DATE	DESCRIPTION	SIGN.
		BAYSWATER VICTORIA AUSTRALIA Ph. (613) 9761 3333 Fax (613) 9761 0550 ACN 060 593 164	
DRAFTING STANDARD AS1100-1984		DRAWN: VTG DATE: 22-1-98	TITLE: GENERAL ASSEMBLY DESIGN 5000 SIZE 3000 ARR.4 CW90
CAD FILE No.		SUITS ALL MOTOR FRAMES TO D250M	
		REV. No.	SCALE DRAWING NO. QC D5000 S3000 G-C4
			A3

DO NOT SCALE

THIS DRAWING, DESIGNS AND CONCEPTS IS THE SOLE PROPERTY OF AIRENG PTY. LTD. AND IS TO BE RETURNED ON REQUEST. IT IS TO BE TREATED AS CONFIDENTIAL AND NOT TO BE COPIED OR COMMUNICATED TO ANY OTHER PERSON WITHOUT THE WRITTEN CONSENT OF AIRENG PTY. LTD.. IT MAY ONLY BE USED FOR MANUFACTURE WHEN ACCOMPANIED BY A WRITTEN ORDER.