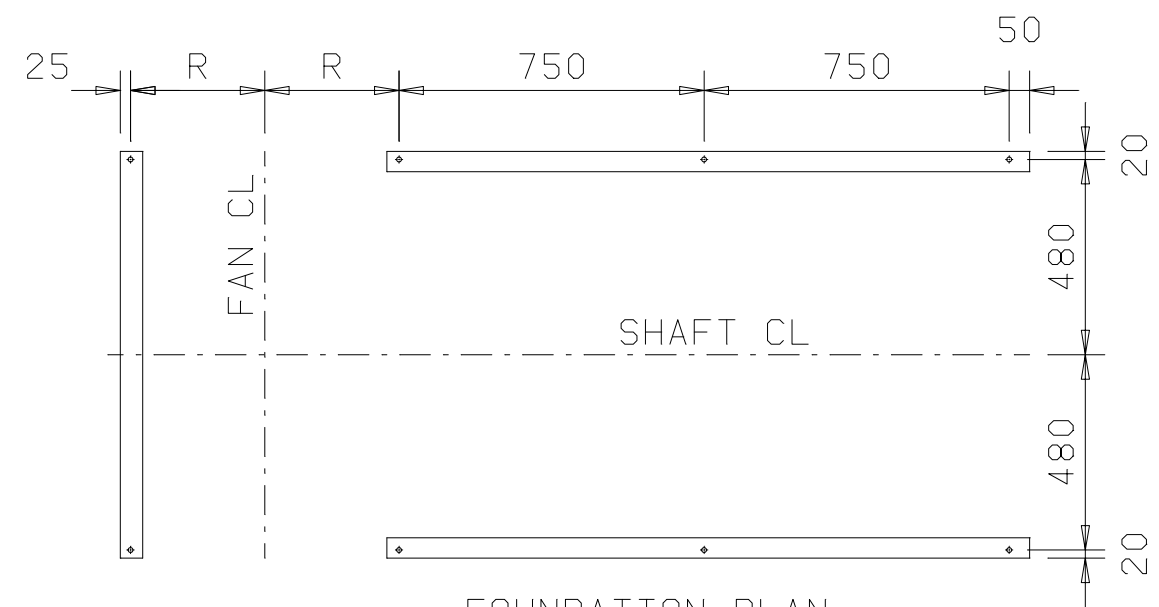
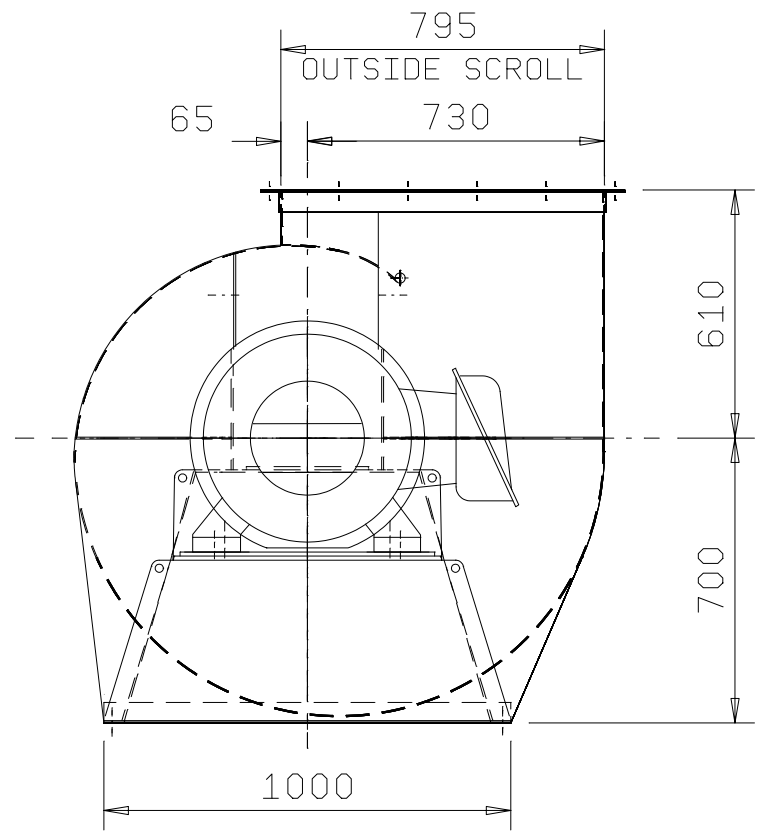
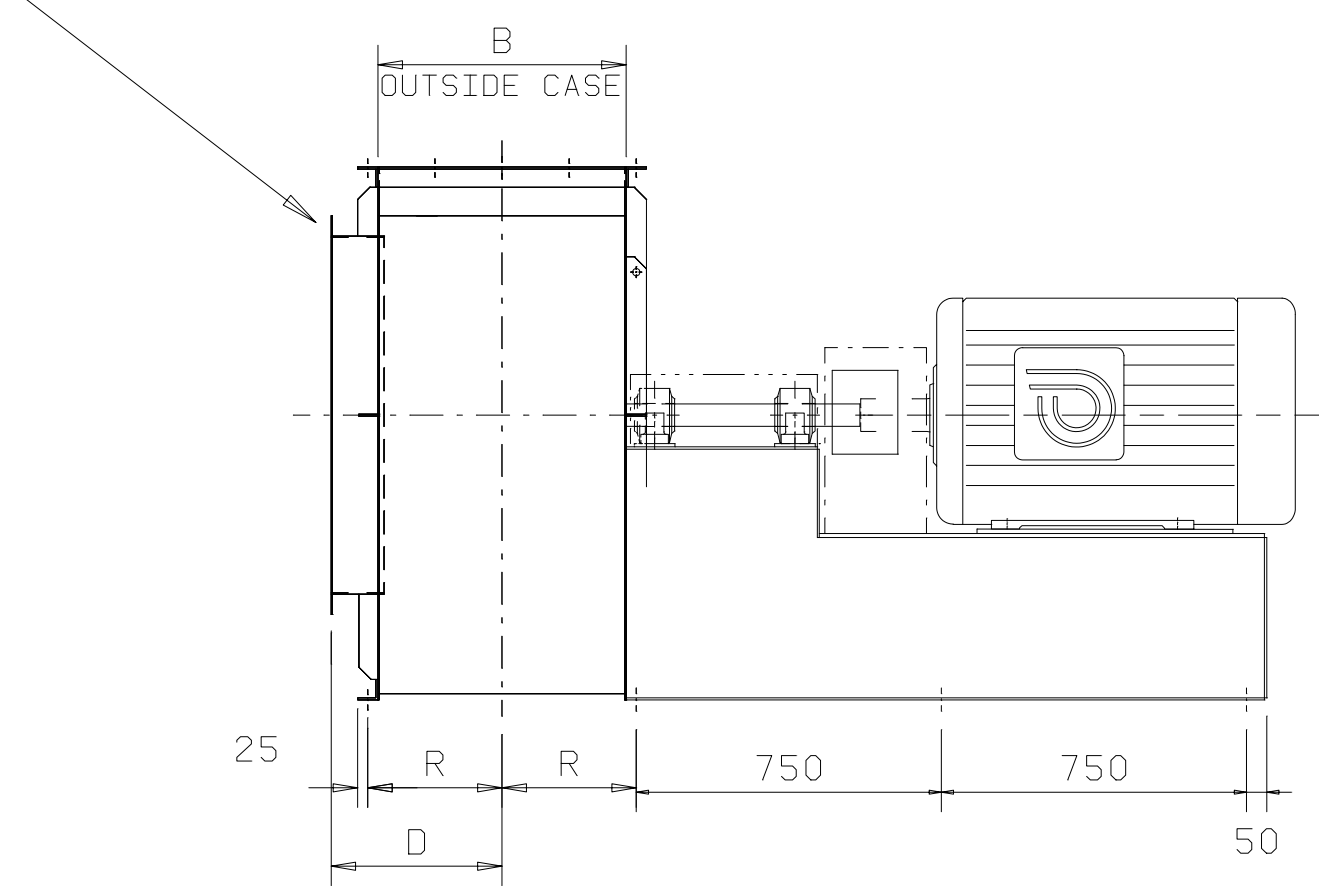


VIEW FROM DRIVE END

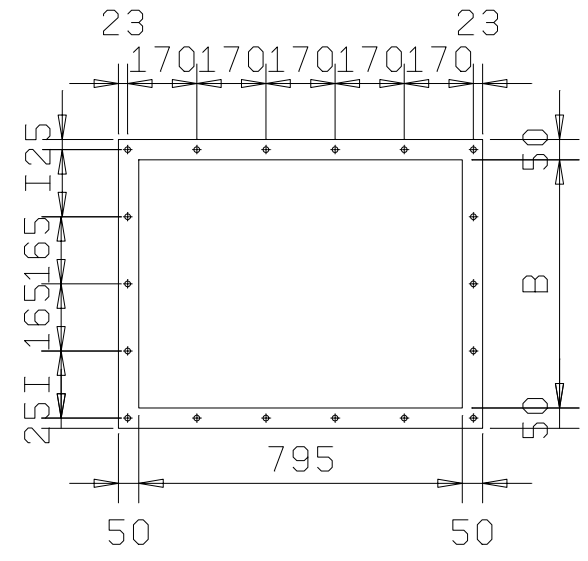
12 HOLES Ø 12mm  
OFF CL ON  
925 PCD



FOUNDATION PLAN  
8 HOLES Ø12mm

SUITS ALL MOTOR FRAMES TO D280M  
NOTE: PEDESTAL LENGTH MAY  
DECREASE FOR SMALLER FRAME SIZES

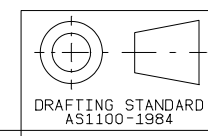
CASING % WIDTH	B	D	I	R
40	490	360	105	270
60	530	380	125	290
80	570	400	145	310
100	610	420	165	330
120	650	440	185	350



DISCHARGE FLANGE DETAIL  
18 HOLES Ø12mm

ALL HOLES Ø 12 UNLESS SPECIFIED  
DO NOT SCALE

THIS DRAWING, DESIGNS AND CONCEPTS IS THE SOLE PROPERTY OF AIRENG PTY. LTD. AND IS TO BE RETURNED ON REQUEST. IT IS TO BE TREATED AS CONFIDENTIAL AND NOT TO BE COPIED OR COMMUNICATED TO ANY OTHER PERSON WITHOUT THE WRITTEN CONSENT OF AIRENG PTY. LTD.. IT MAY ONLY BE USED FOR MANUFACTURE WHEN ACCOMPANIED BY A WRITTEN ORDER.



CAD FILE No.



**AIRENG** PTY. LTD. BAYSWATER VICTORIA AUSTRALIA  
Ph. (613) 9761 3333 Fax (613) 9761 0550  
ACN 060 583 164

DRAWN: NJE TITLE: GENERAL ASSEMBLY  
DATE: 18-07-03 D5000 S3000 ARR.8 ACW90

CHECKED: SUITS ALL MOTOR FRAMES TO D280M

DATE: SCALE DRAWING NO.  
REV. No. QC D5000 S3000 G-A8 **A3**