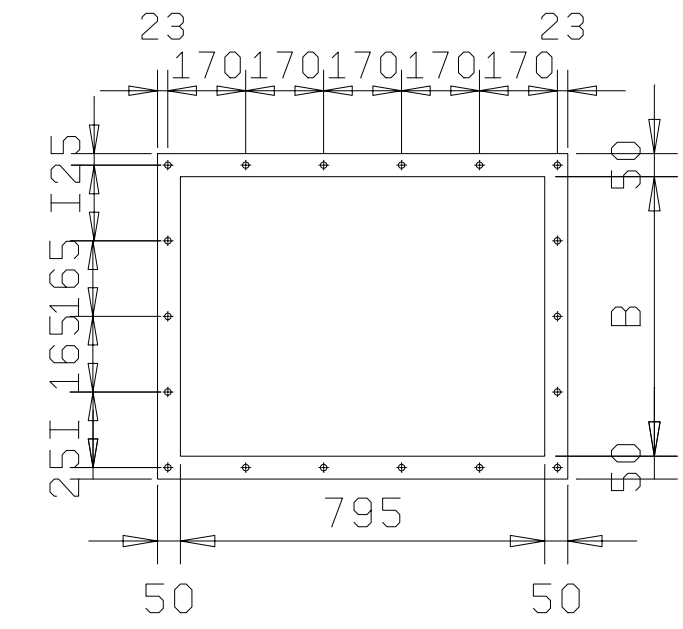
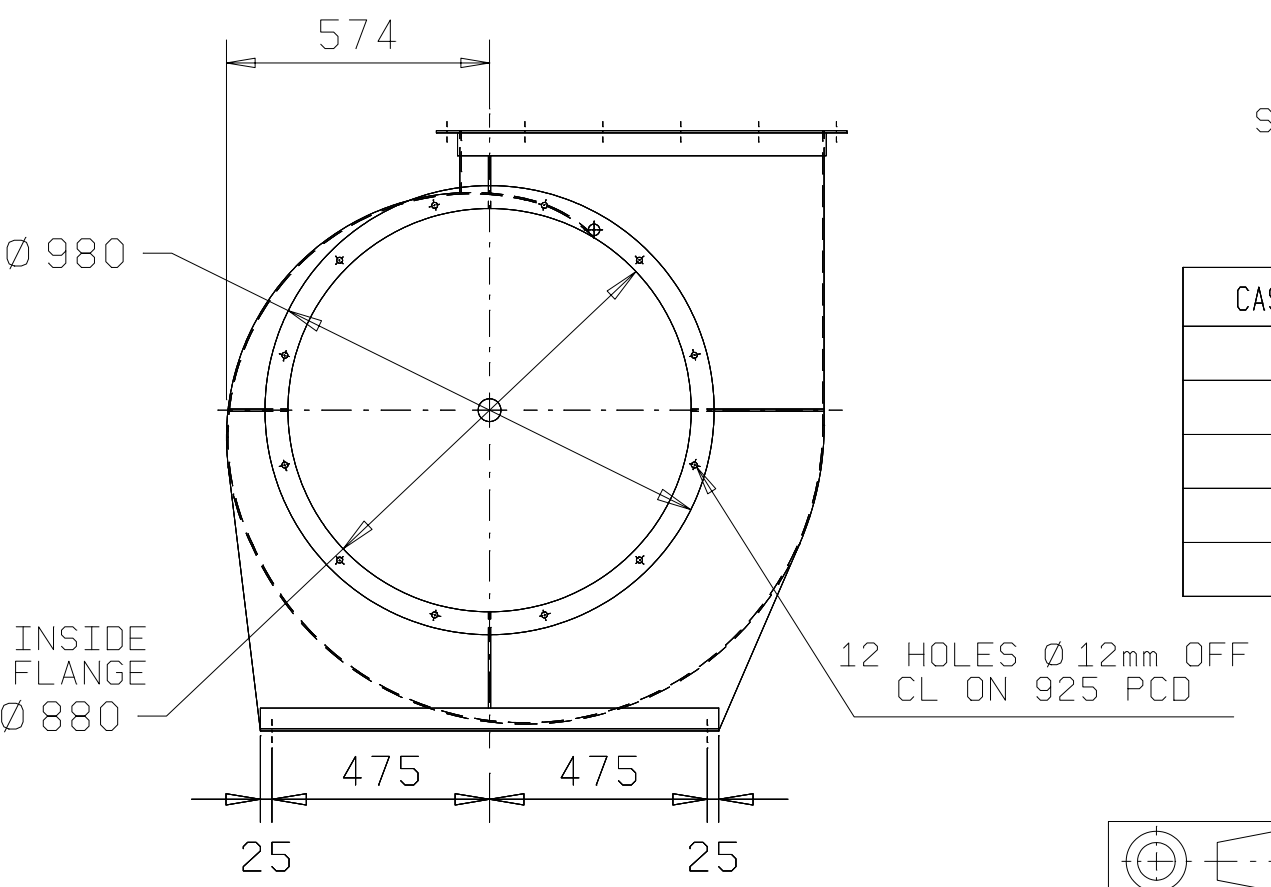
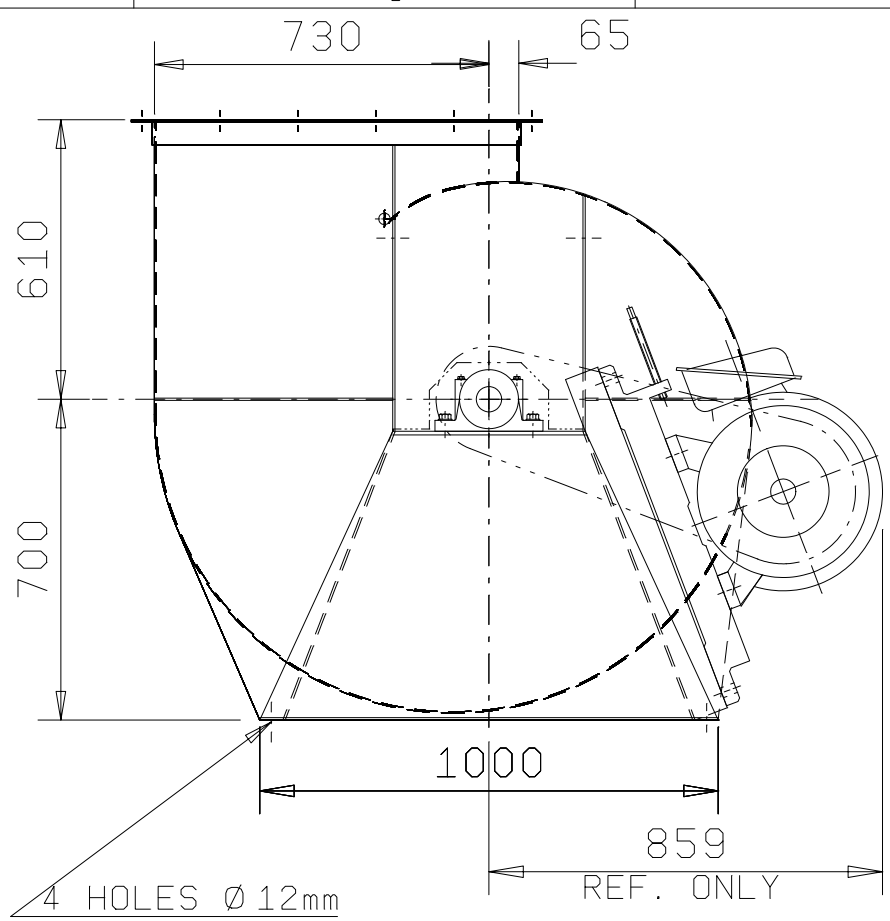


VIEW FROM DRIVE END

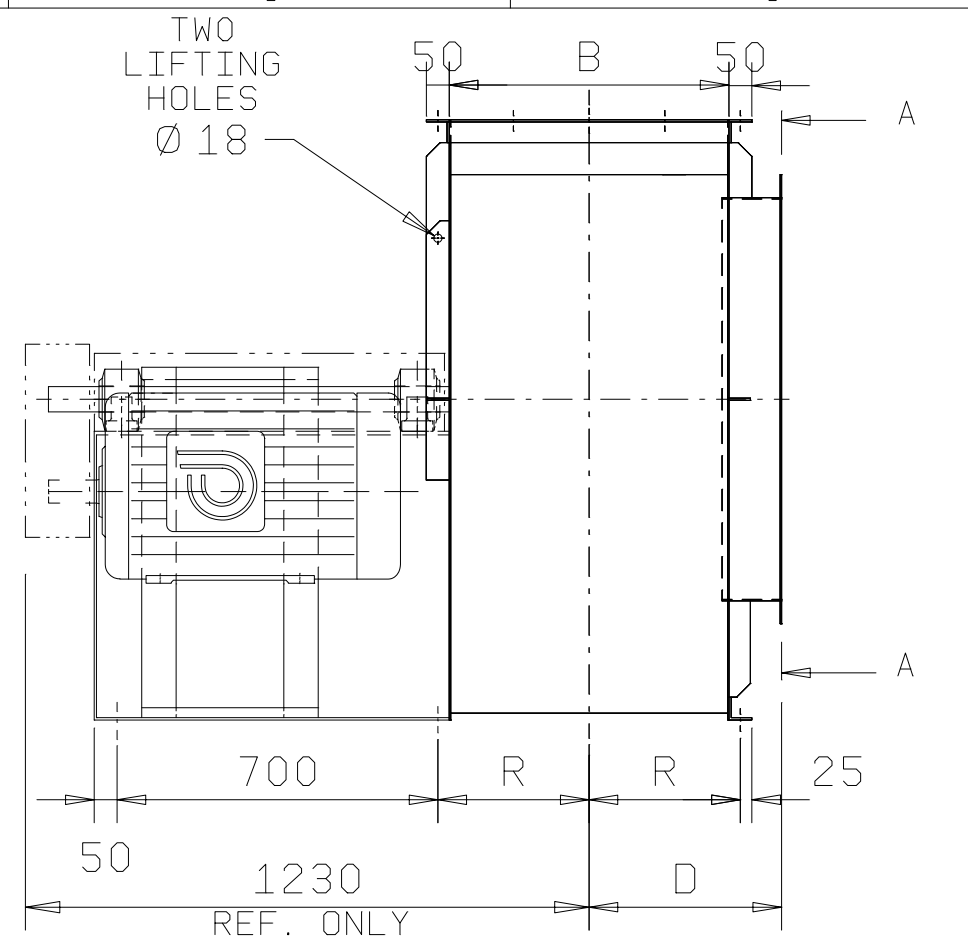


DISCHARGE FLANGE DETAIL
18 HOLES Ø12mm



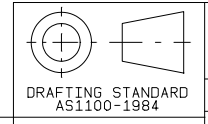
VIEW A-A DO NOT SCALE

THIS DRAWING, DESIGNS AND CONCEPTS IS THE SOLE PROPERTY OF AIRENG PTY. LTD. AND IS TO BE RETURNED ON REQUEST. IT IS TO BE TREATED AS CONFIDENTIAL AND NOT TO BE COPIED OR COMMUNICATED TO ANY OTHER PERSON WITHOUT THE WRITTEN CONSENT OF AIRENG PTY. LTD.. IT MAY ONLY BE USED FOR MANUFACTURE WHEN ACCOMPANIED BY A WRITTEN ORDER.



SUITS ALL MOTOR FRAMES TO D225M

CASING % WIDTH	B	D	I	R
40	490	360	105	270
60	530	380	125	290
80	570	400	145	310
100	610	420	165	330
120	650	440	185	350



BAYSWATER VICTORIA AUSTRALIA
Ph. (613) 9761 3333 Fax (613) 9761 0550
ACN 060 593 164

DRAWN: VTG
DATE: 30-1-98
CHECKED:
DATE:

TITLE: GENERAL ASSEMBLY
D.5000 S.3000 ARR.9/W CW90

SUITS ALL MOTOR FRAMES TO D225M

REV. No.

SCALE DRAWING NO. QC D5000 S3000 G-C9W

A3

