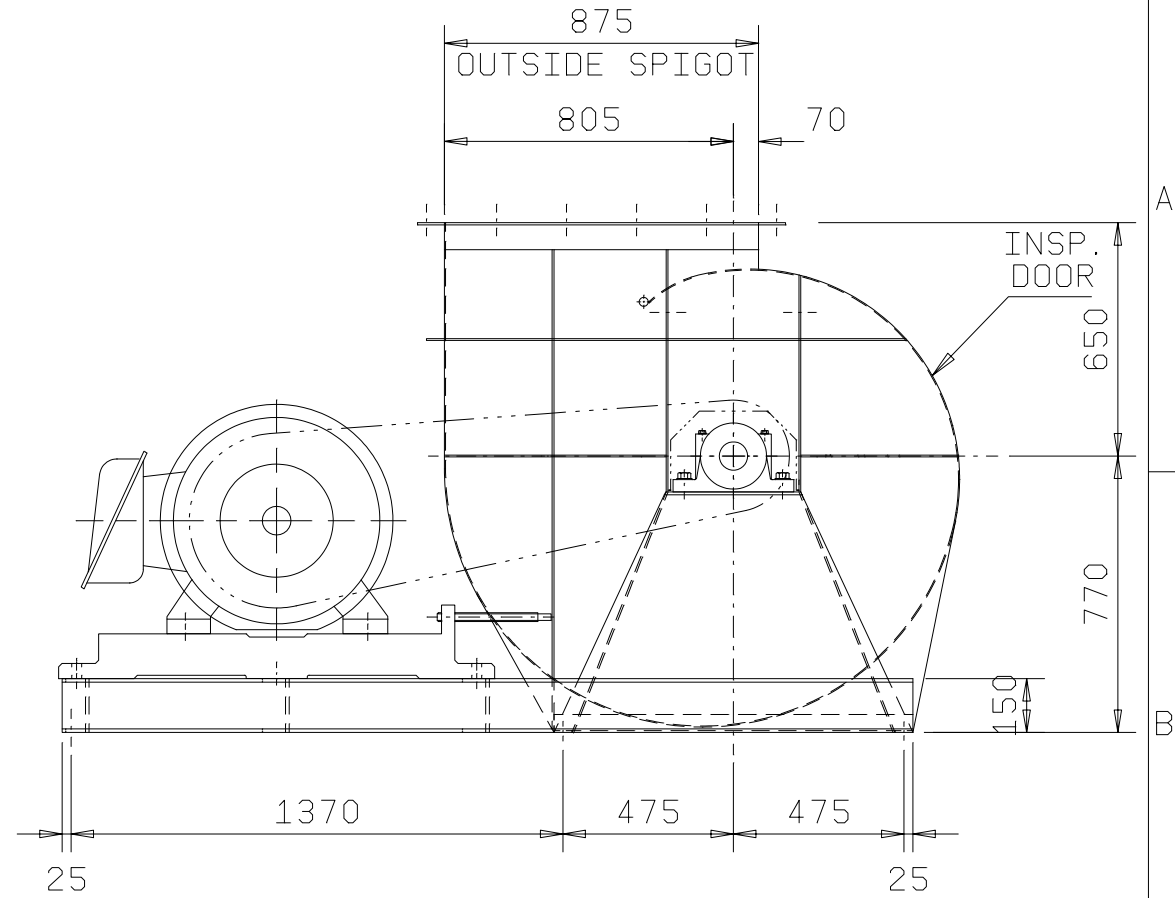
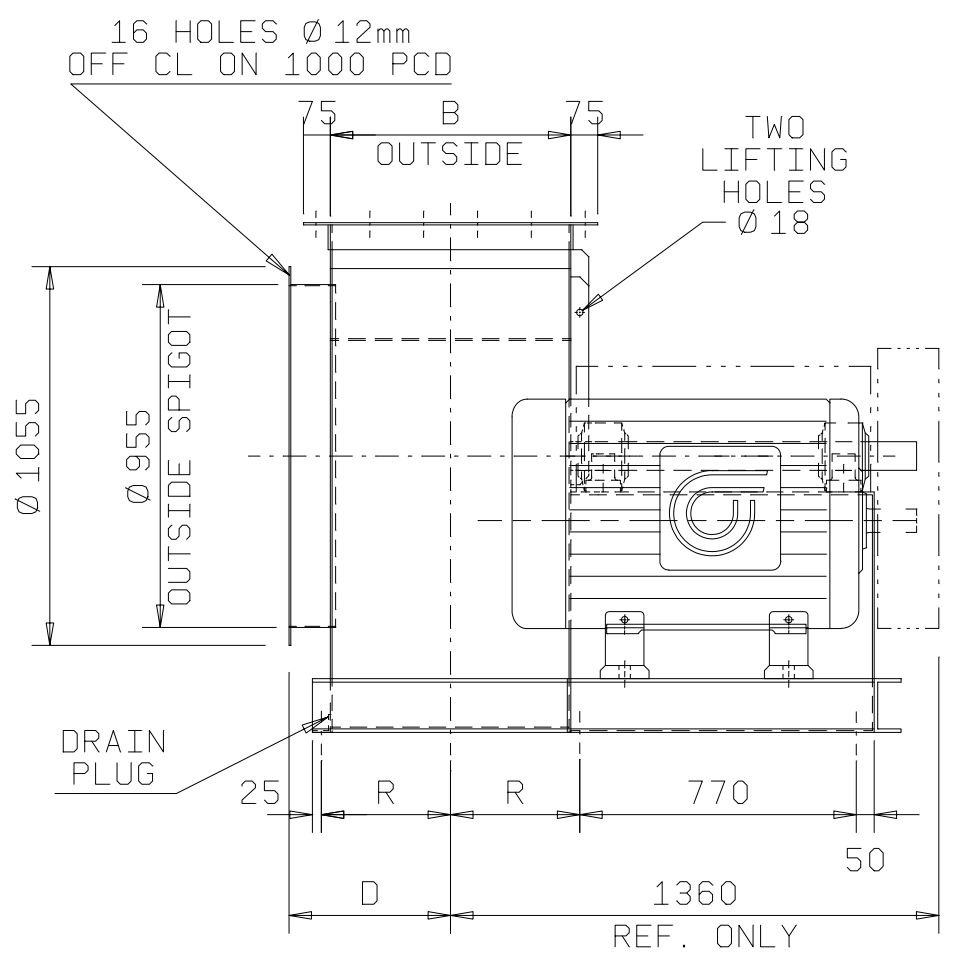
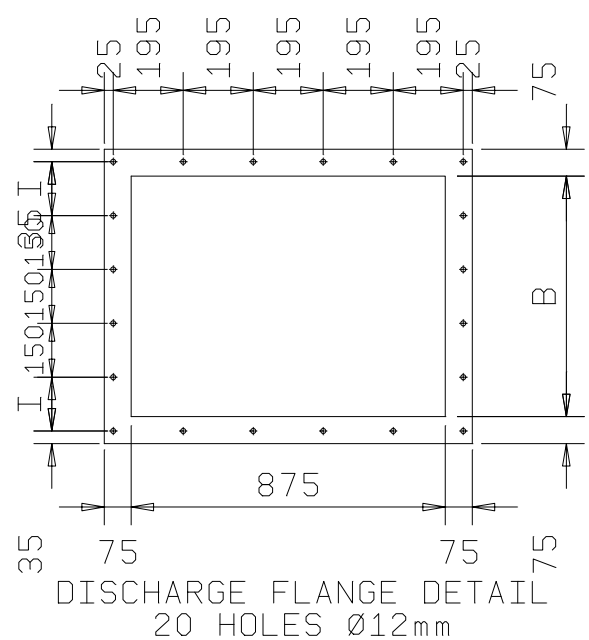
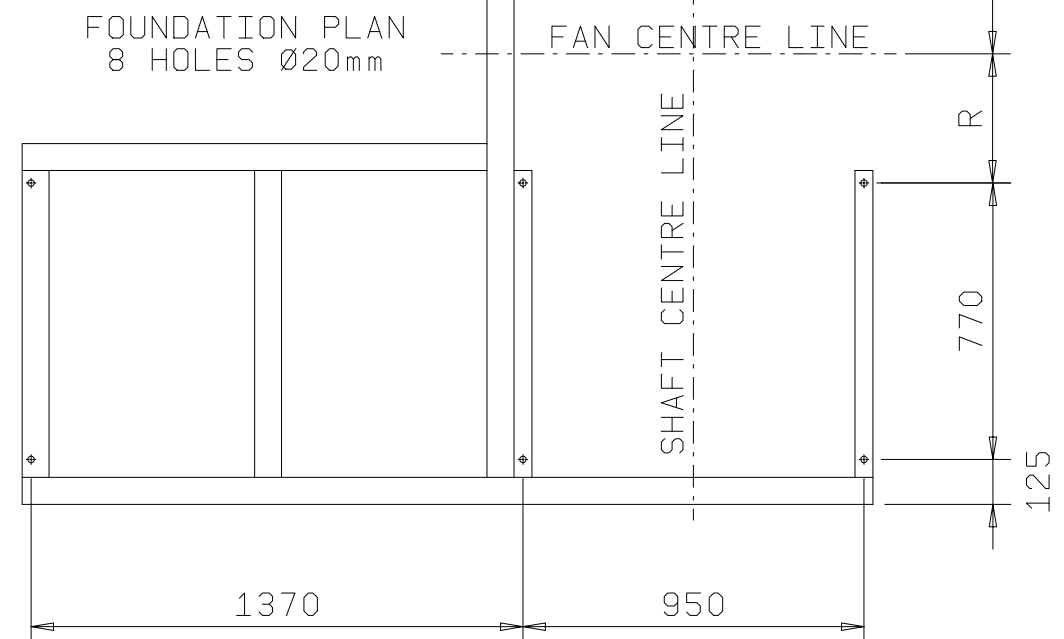


VIEW FROM DRIVE END



SUITS ALL MOTOR FRAMES 315M

CASING % WIDTH	B	D	I	R
40	550	390	90	300
60	590	410	110	320
80	630	430	130	340
100	670	450	150	360
120	710	470	170	380



DO NOT SCALE

THIS DRAWING, DESIGNS AND CONCEPTS IS THE SOLE PROPERTY OF AIRENG PTY. LTD. AND IS TO BE RETURNED ON REQUEST. IT IS TO BE TREATED AS CONFIDENTIAL AND NOT TO BE COPIED OR COMMUNICATED TO ANY OTHER PERSON WITHOUT THE WRITTEN CONSENT OF AIRENG PTY. LTD.. IT MAY ONLY BE USED FOR MANUFACTURE WHEN ACCOMPANIED BY A WRITTEN ORDER.

	BAYSWATER VICTORIA AUSTRALIA Ph. (613) 9761 3333 Fax (613) 9761 0550 ACN 060 593 164	
	DRAFTING STANDARD AS1100-1984	DRAWN: VTG DATE: 12-03-99 CHECKED: DATE:
CAD FILE No.	REV. No.	SCALE DRAWING NO. QC D5000 S3300 G-C1Z

A3