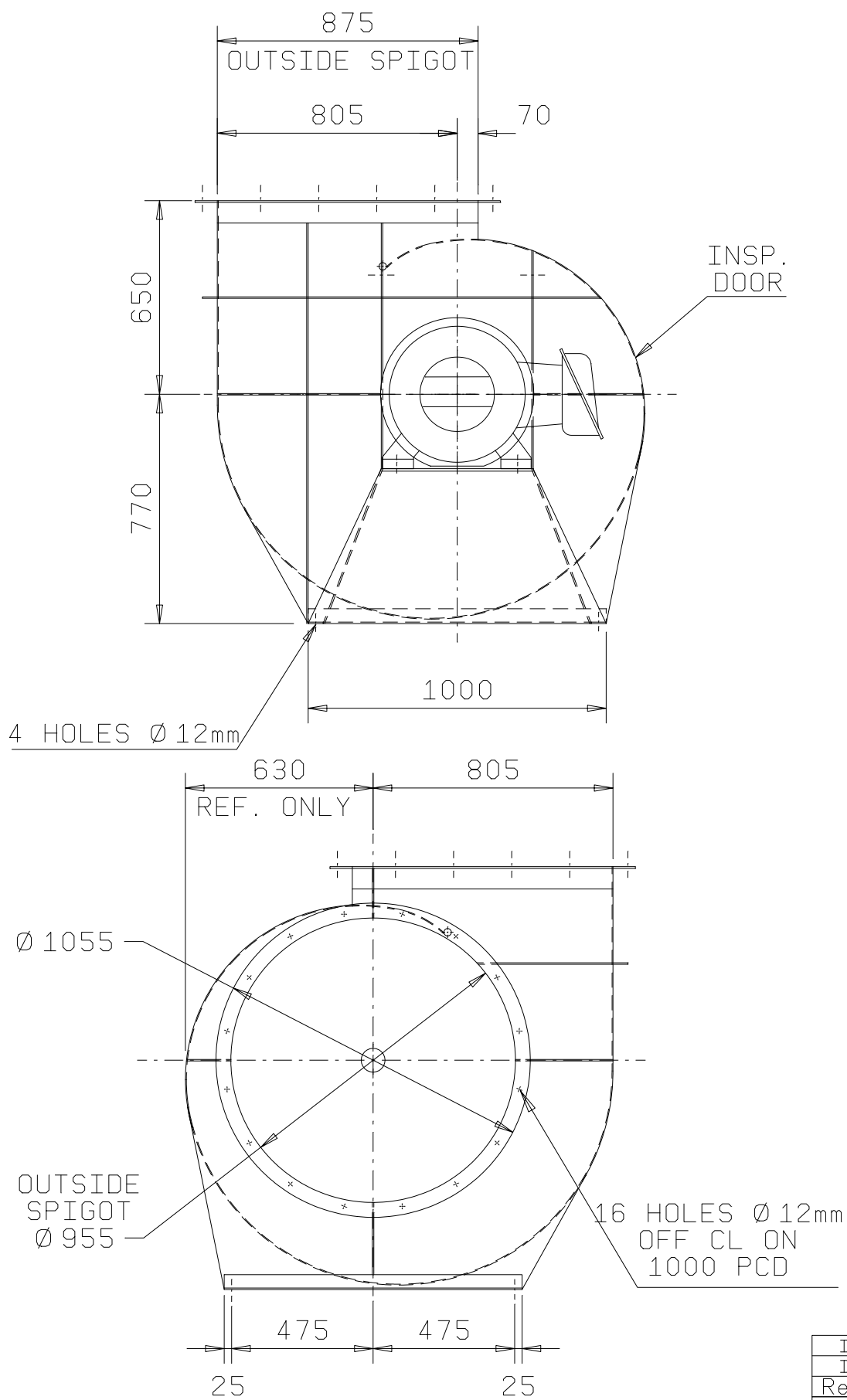
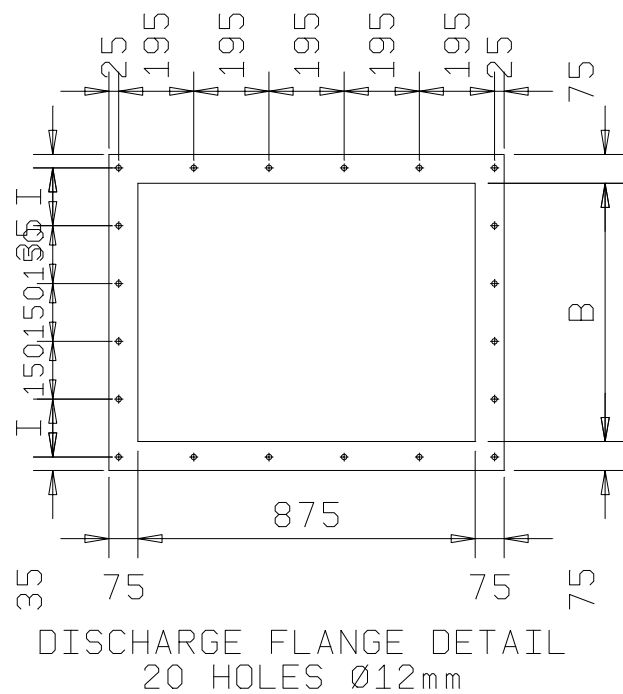


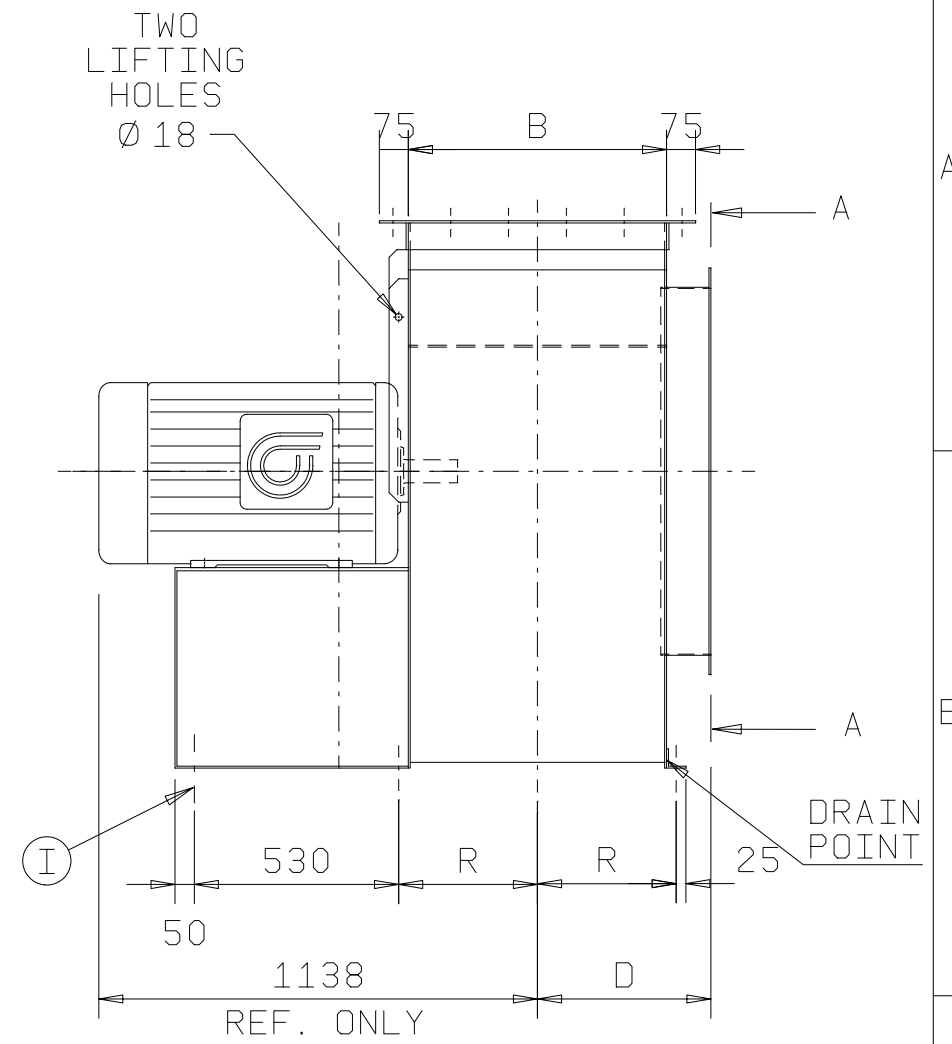
VIEW FROM DRIVE END



VIEW A-A

DO NOT SCALE

THIS DRAWING, DESIGNS AND CONCEPTS IS THE SOLE PROPERTY OF AIRENG PTY. LTD. AND IS TO BE RETURNED ON REQUEST. IT IS TO BE TREATED AS CONFIDENTIAL AND NOT TO BE COPIED OR COMMUNICATED TO ANY OTHER PERSON WITHOUT THE WRITTEN CONSENT OF AIRENG PTY. LTD.. IT MAY ONLY BE USED FOR MANUFACTURE WHEN ACCOMPANIED BY A WRITTEN ORDER.



SUITS ALL MOTOR FRAMES TO D250M

CASING % WIDTH	B	D	I	R
40	550	390	90	300
60	590	410	110	320
80	630	430	130	340
100	670	450	150	360
120	710	470	170	380

II	29/10/98	Modified discharge flange drilling.	VTG
I	30/07/98	Change pedestal foundation bolt hole position	VTG
Rev.	DATE	DESCRIPTION	SIGN.
BAYSWATER VICTORIA AUSTRALIA Ph. (613) 9761 3333 Fax (613) 9761 0550 ACN 060 583 164		DRAWN: VTG TITLE: GENERAL ASSEMBLY DATE: 23-01-98 D.5000 S.3300 ARR.4 CW90	
CAD FILE No.		SUITS ALL MOTOR FRAMES TO D250M	
CHECKED:		SCALE DRAWING NO.	
DATE:		QC D5000 S3300 G-C4	
REV. No.		A3	
I II			