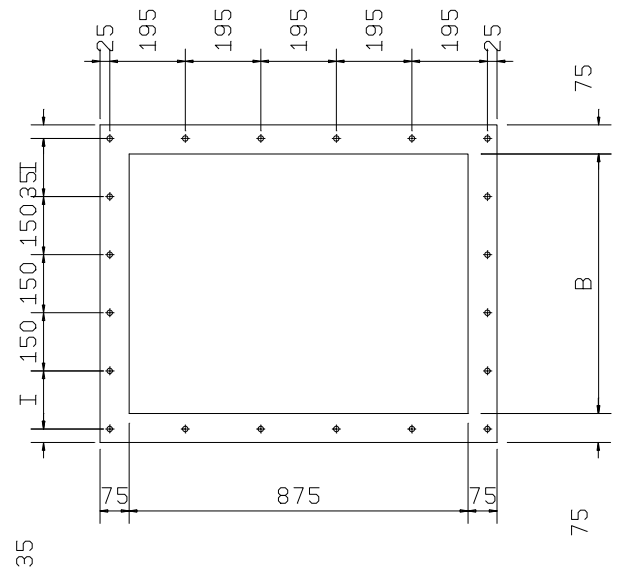
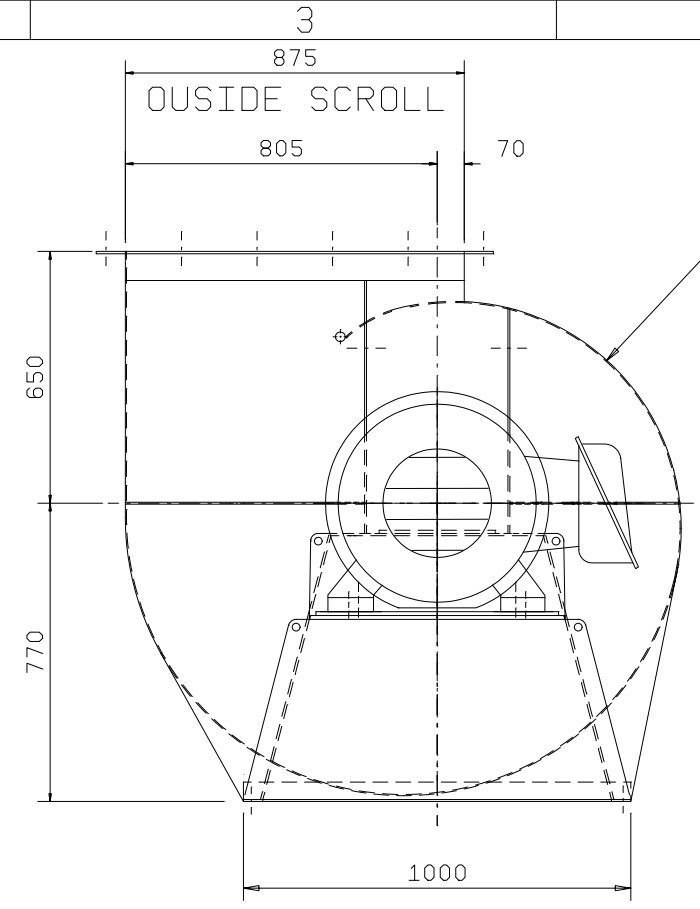


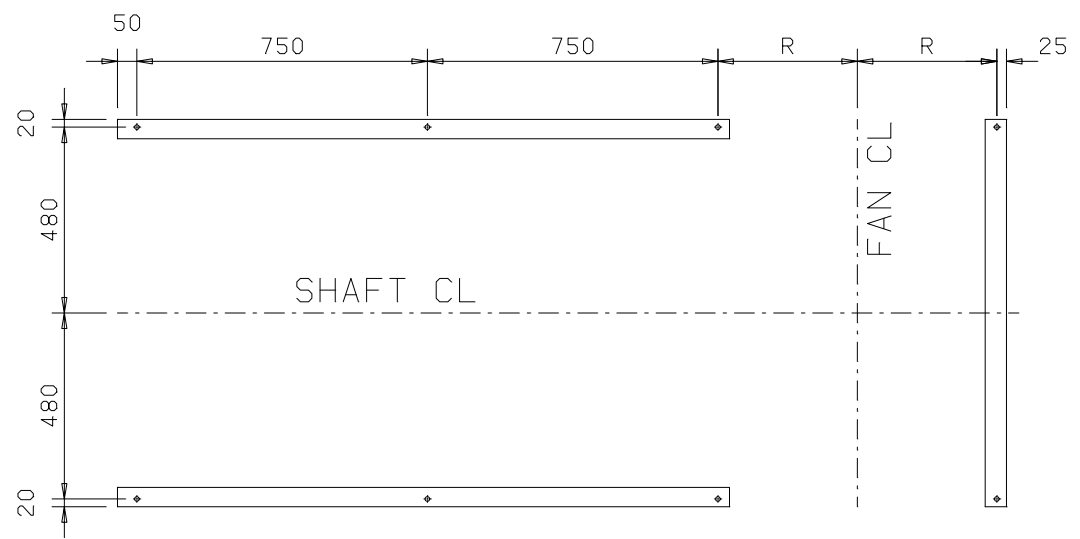
VIEW FROM DRIVE END



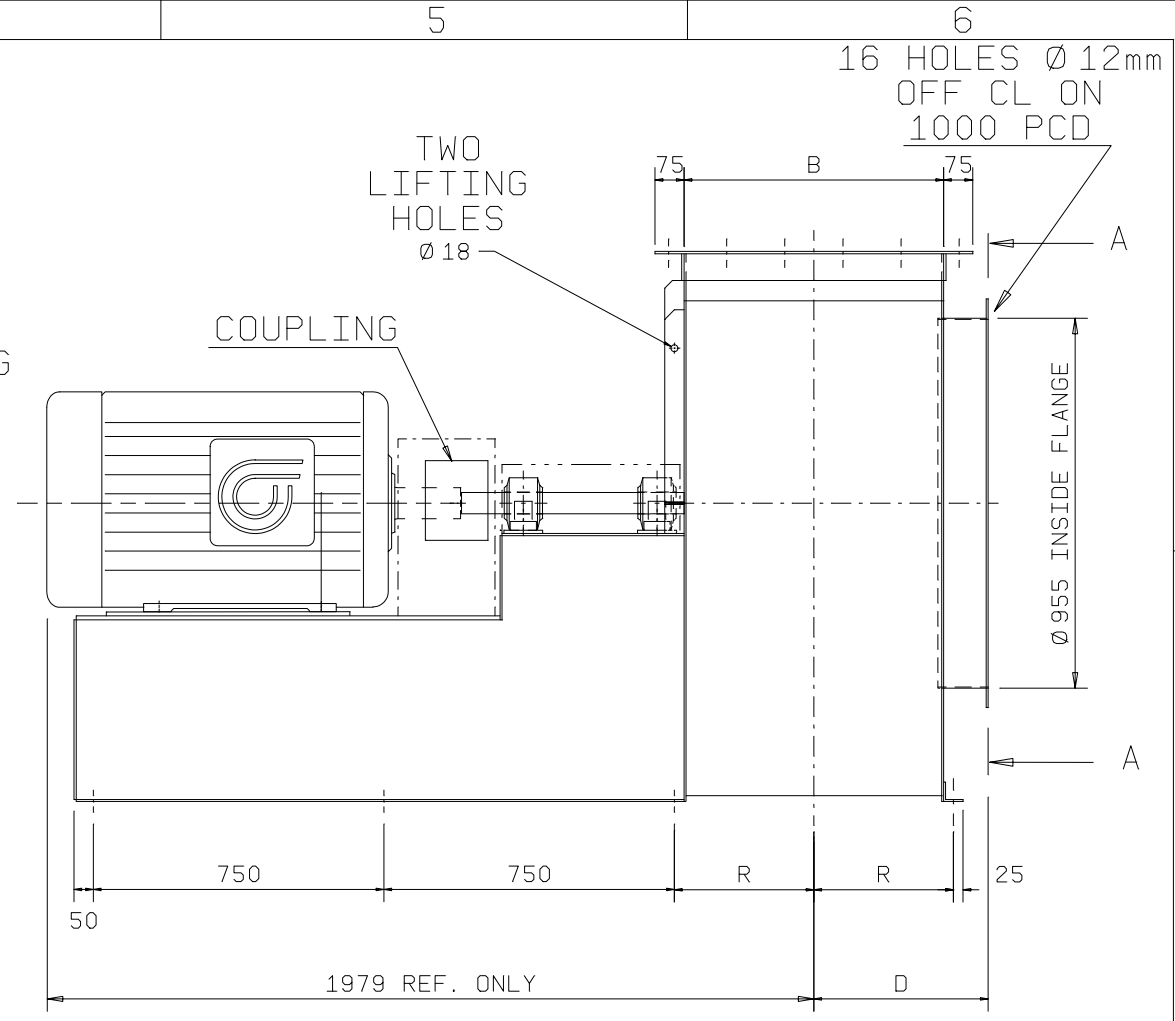
DISCHARGE FLANGE DETAIL
20 HOLES Ø12mm



LIFTING HOLES



FOUNDATION PLAN
8 HOLES Ø12mm



SUITS ALL MOTOR FRAMES TO D280M
NOTE: PEDESTAL LENGTH MAY DECREASE
FOR SHORTER MOTOR FRAMES

CASING % WIDTH	B	D	I	R
40	550	390	90	300
60	590	410	110	320
80	630	430	130	340
100	670	450	150	360
120	710	470	170	380

ALL HOLES Ø 12 UNLESS SPECIFIED
DO NOT SCALE

THIS DRAWING, DESIGNS AND CONCEPTS IS THE SOLE PROPERTY OF AIRENG PTY. LTD. AND IS TO BE RETURNED ON REQUEST. IT IS TO BE TREATED AS CONFIDENTIAL AND NOT TO BE COPIED OR COMMUNICATED TO ANY OTHER PERSON WITHOUT THE WRITTEN CONSENT OF AIRENG PTY. LTD.. IT MAY ONLY BE USED FOR MANUFACTURE WHEN ACCOMPANIED BY A WRITTEN ORDER.

DRAFTING STANDARD
AS1100-1984

CAD FILE No.

AIRENG PTY. LTD.
DRAWN: NJE
DATE: 18-07-03
CHECKED:
DATE:
REV. No.

BAYSWATER VICTORIA AUSTRALIA
Ph. (613) 9761 3333 Fax (613) 9761 0550
ACN 060 583 164
TITLE: GENERAL ASSEMBLY
D5000 S3300 ARR.8 CW90
SUITS ALL MOTOR FRAMES TO D280M
SCALE: DRAWING NO.
QC D5000 S3300 G-C8

A3