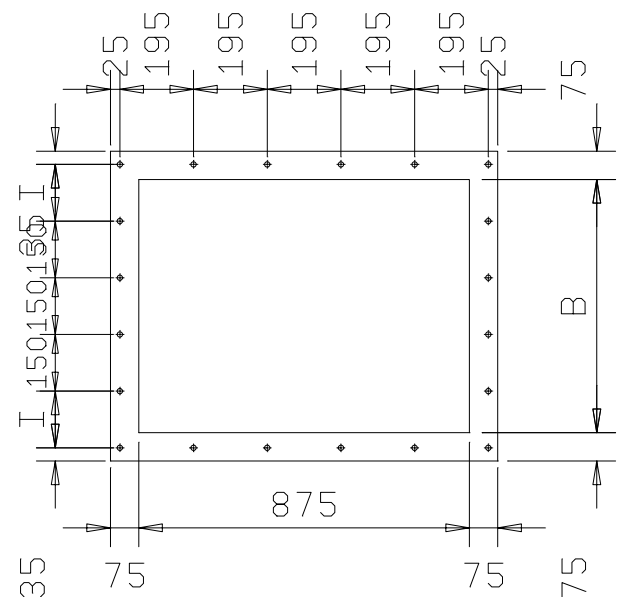
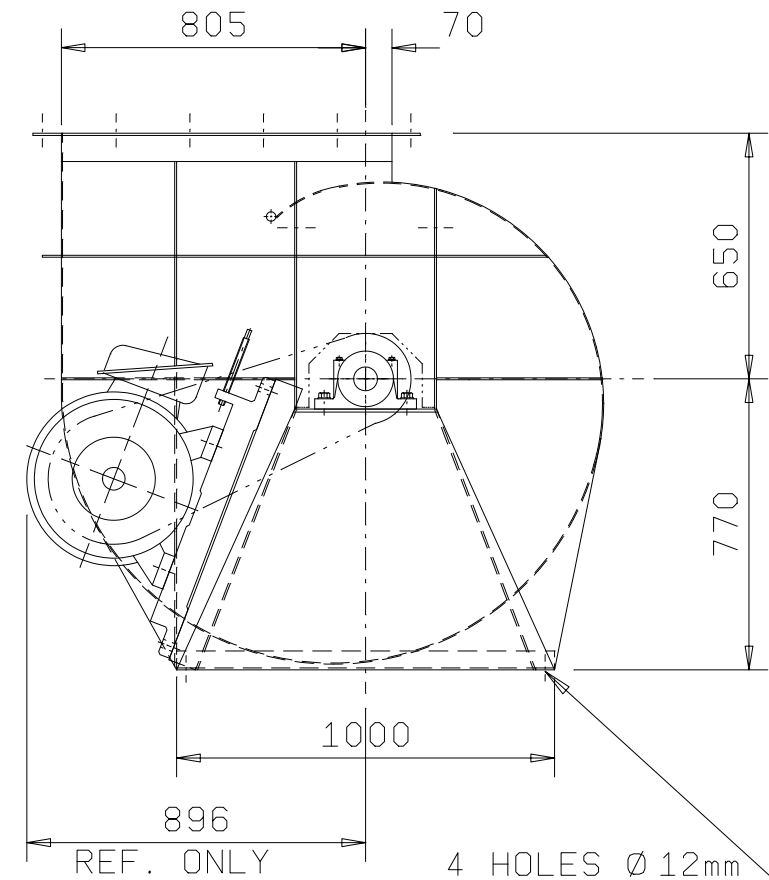
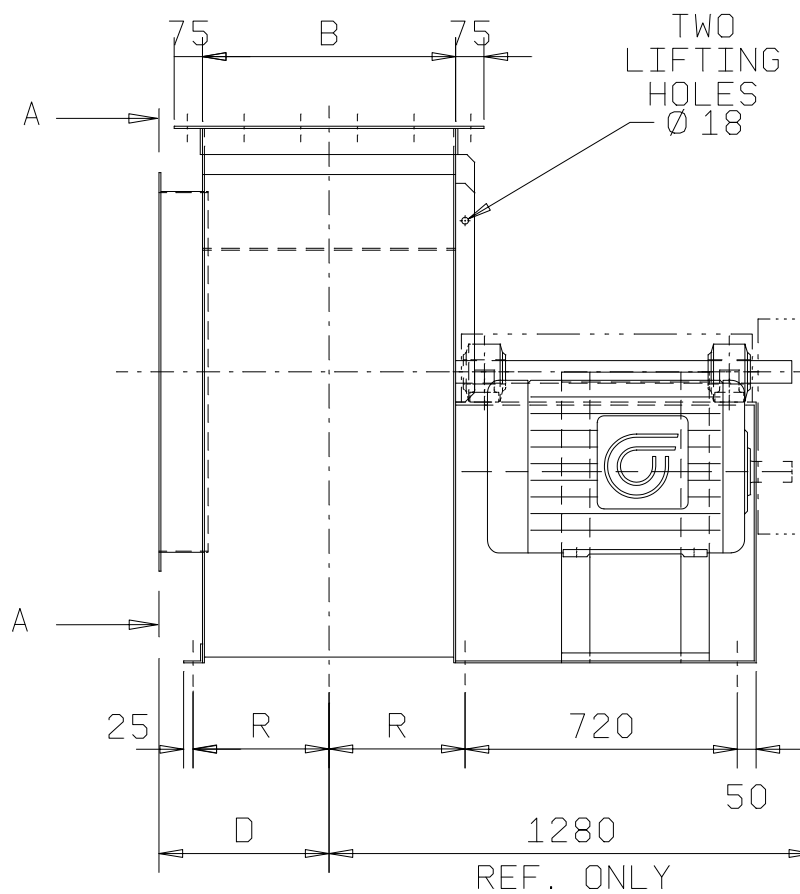


VIEW FROM DRIVE END

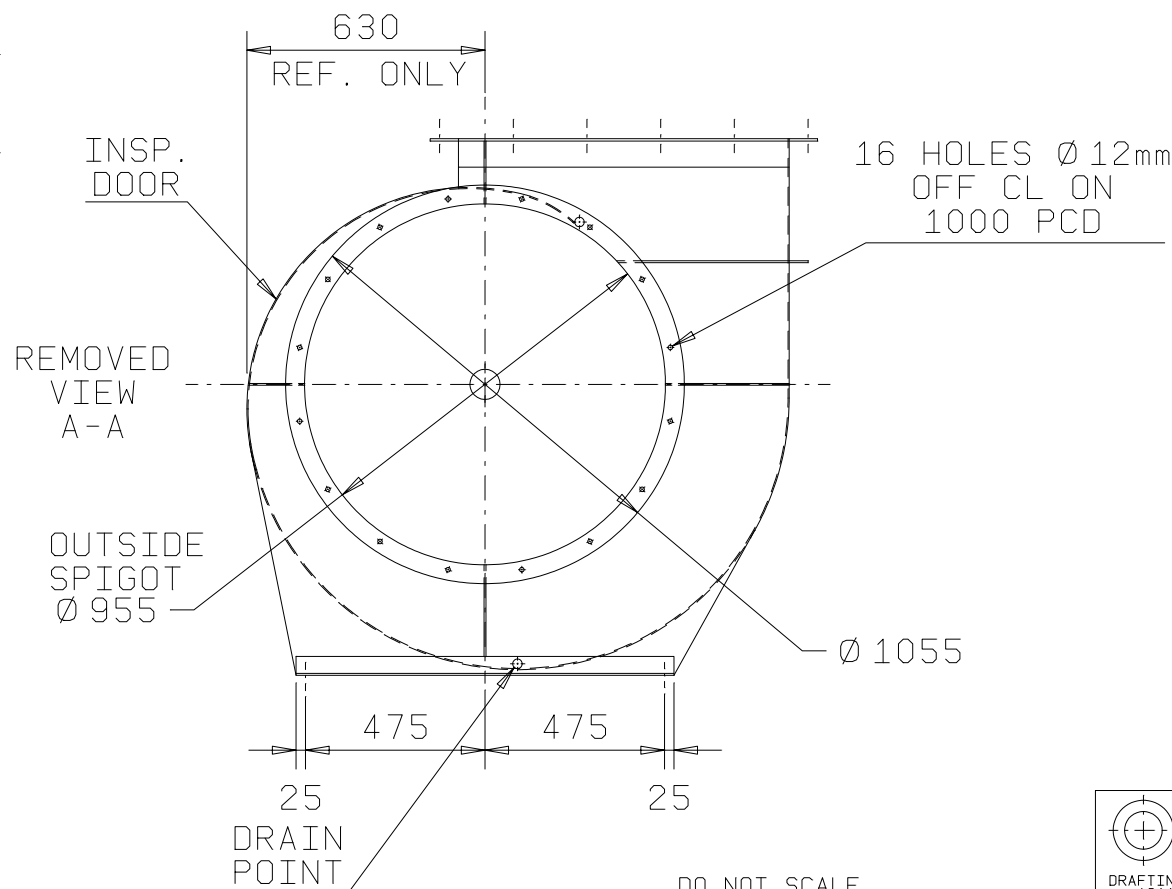


DISCHARGE FLANGE DETAIL  
20 HOLES Ø12mm



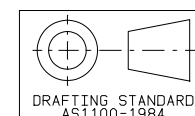
SUITS ALL MOTOR FRAMES D225M

CASING % WIDTH	B	D	I	R
40	550	390	90	300
60	590	410	110	320
80	630	430	130	340
100	670	450	150	360
120	710	470	170	380



DO NOT SCALE

THIS DRAWING, DESIGNS AND CONCEPTS IS THE SOLE PROPERTY OF AIRENG PTY. LTD. AND IS TO BE RETURNED ON REQUEST. IT IS TO BE TREATED AS CONFIDENTIAL AND NOT TO BE COPIED OR COMMUNICATED TO ANY OTHER PERSON WITHOUT THE WRITTEN CONSENT OF AIRENG PTY. LTD.. IT MAY ONLY BE USED FOR MANUFACTURE WHEN ACCOMPANIED BY A WRITTEN ORDER.



CAD FILE No.



**AIRENG** PTY. LTD. BAYSWATER VICTORIA AUSTRALIA  
 Ph. (613) 9761 3333 Fax (613) 9761 0550  
 ACN 060 593 164

DRAWN: VTG TITLE: GENERAL ASSEMBLY  
 DATE: 31-03-99 D.5000 S.3300 ARR.9/Z CW90

CHECKED: SUITS ALL MOTOR FRAMES D225M

DATE: SCALE DRAWING NO.  
 REV. No. QS D5000 S3300 G-C9Z **A3**