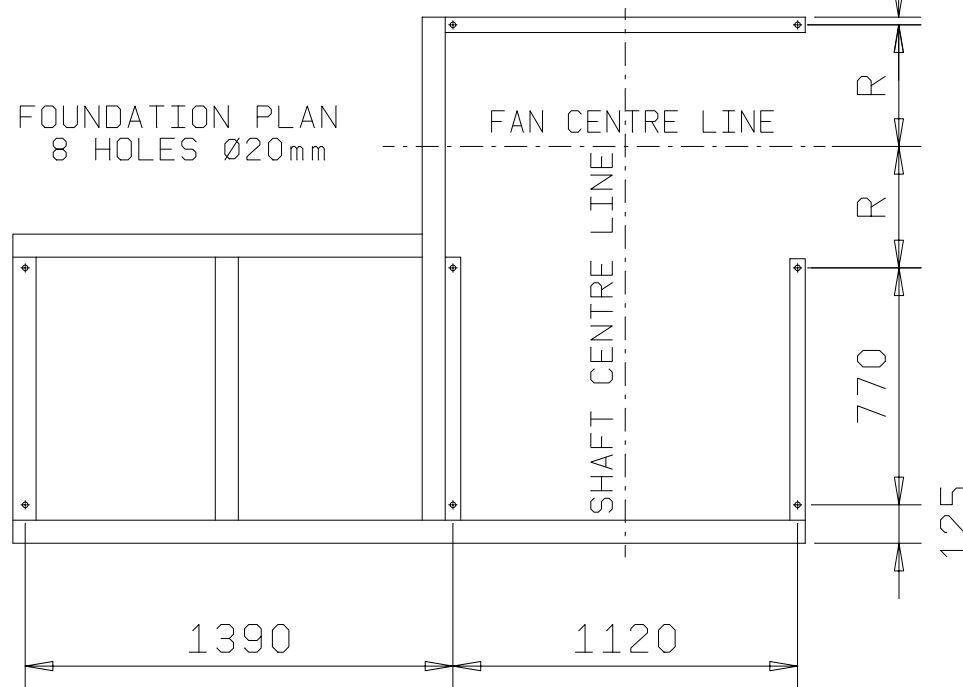
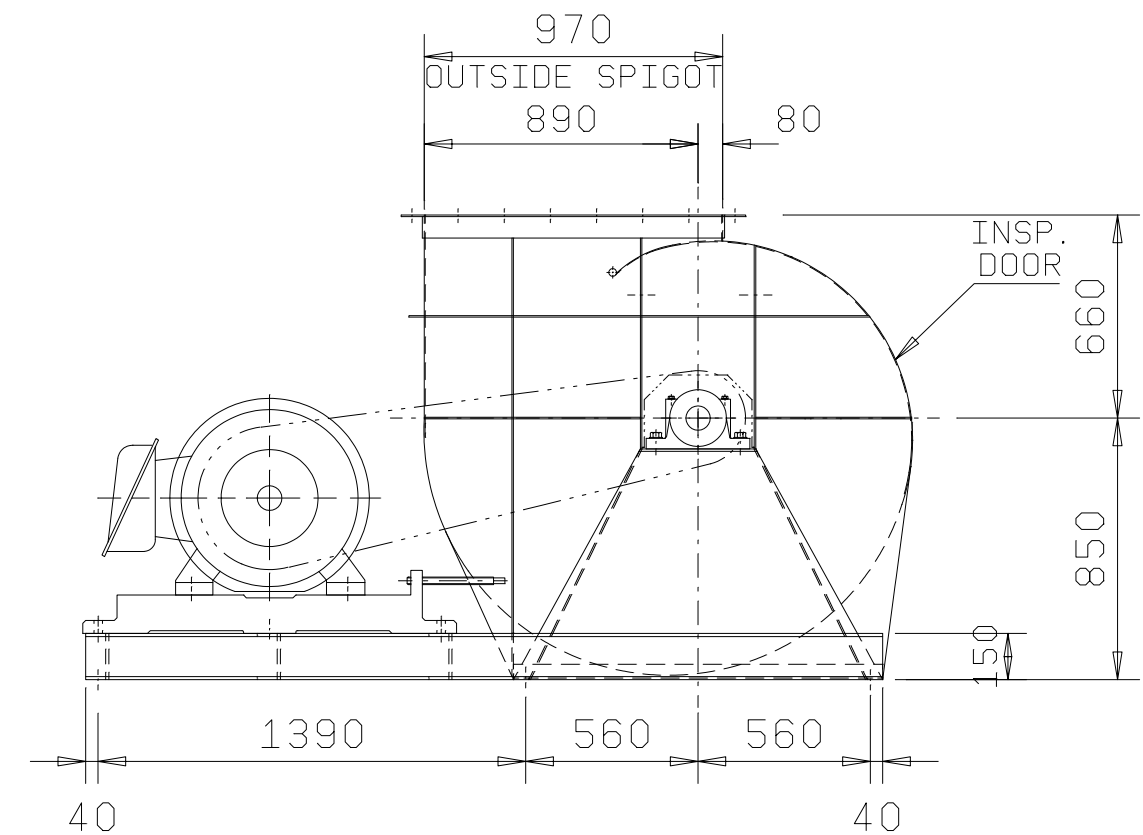


FOUNDATION PLAN
8 HOLES Ø20mm



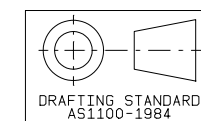
DO NOT SCALE

THIS DRAWING, DESIGNS AND CONCEPTS IS THE SOLE PROPERTY OF AIRENG PTY. LTD. AND IS TO BE RETURNED ON REQUEST. IT IS TO BE TREATED AS CONFIDENTIAL AND NOT TO BE COPIED OR COMMUNICATED TO ANY OTHER PERSON WITHOUT THE WRITTEN CONSENT OF AIRENG PTY. LTD.. IT MAY ONLY BE USED FOR MANUFACTURE WHEN ACCOMPANIED BY A WRITTEN ORDER.



SUITS ALL MOTOR FRAMES SIZE D315M

CASING % WIDTH	B	D	I	R
40	590	415	110	320
60	640	440	135	345
80	690	465	160	370
100	740	490	185	395
120	790	515	210	420



CAD FILE No.



AIRENG PTY. LTD. BAYSWATER VICTORIA AUSTRALIA
Ph. (613) 9761 3333 Fax (613) 9761 0550
ACN 060 593 164

DRAWN: VTG TITLE: GENERAL ASSEMBLY
DATE: 12-03-99 D.5000 S.3650 ARR.1/Z CW90

CHECKED: SUITS ALL MOTOR FRAMES SIZE D315M

DATE: SCALE DRAWING NO. QC D5000 S3650 G-C1Z

A3