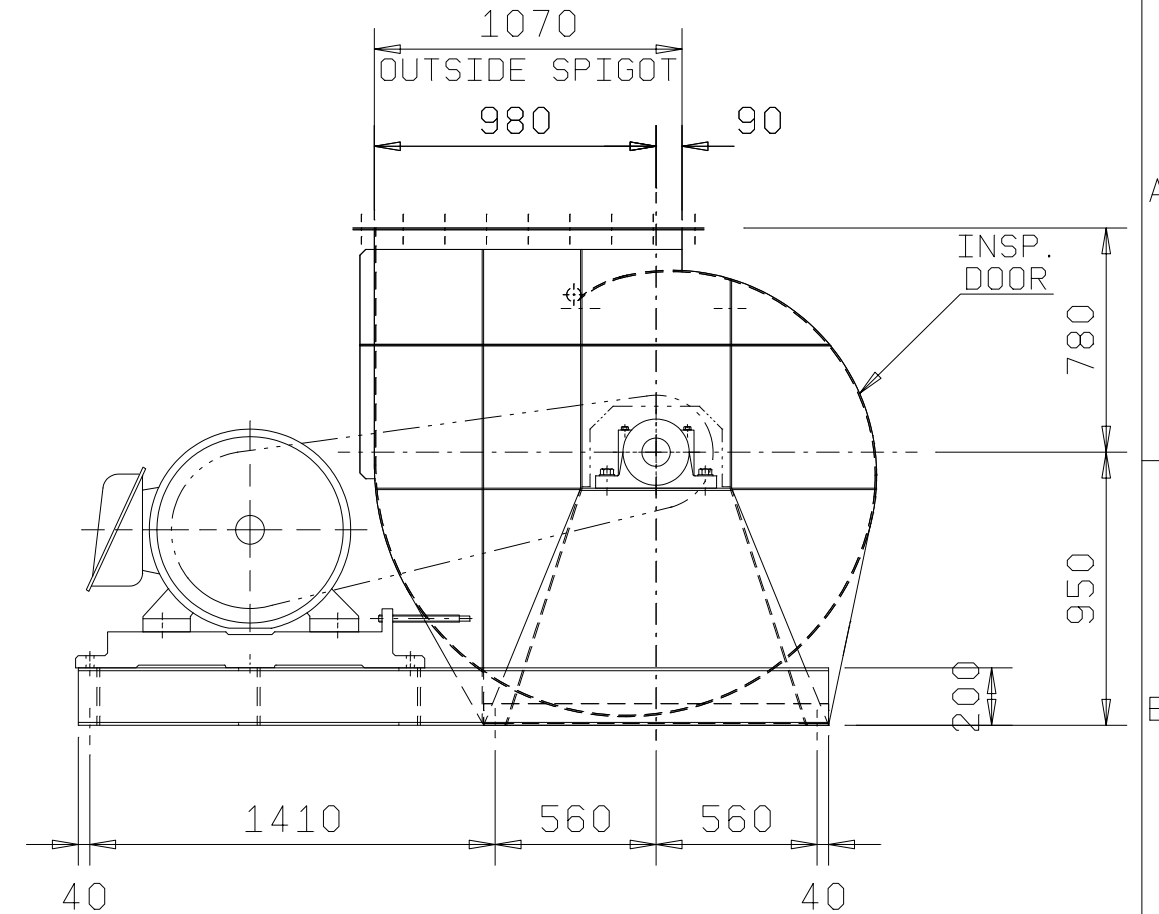
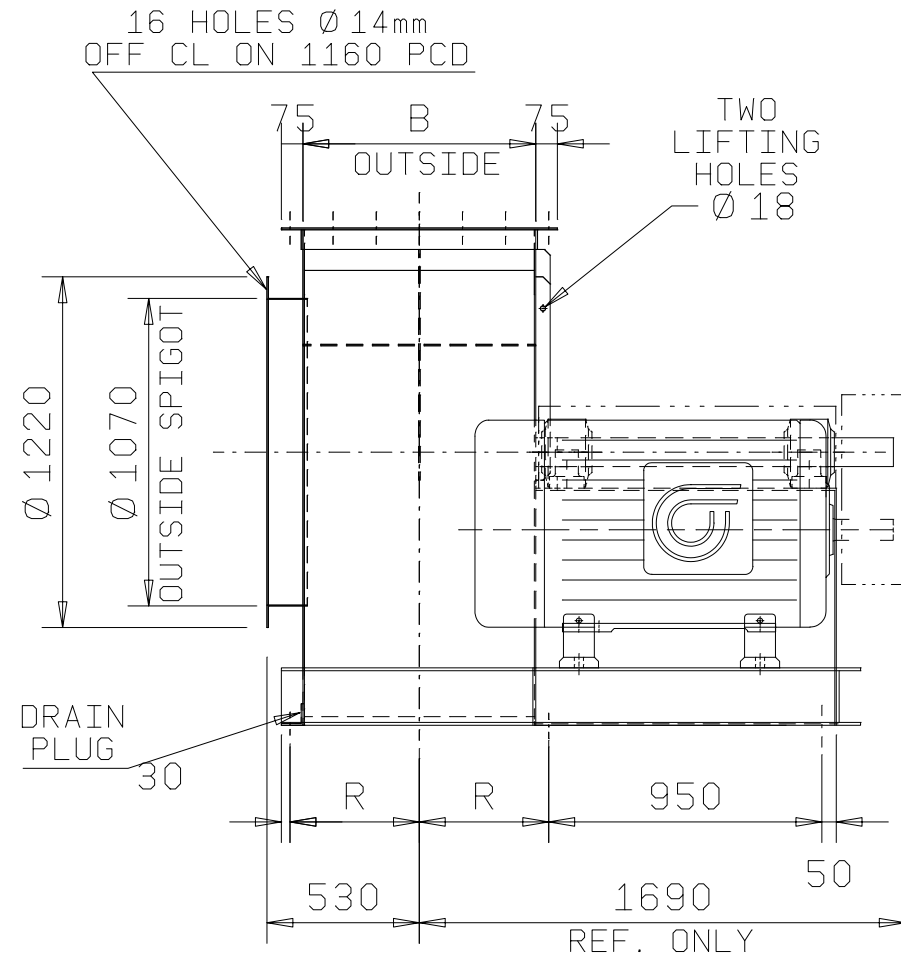
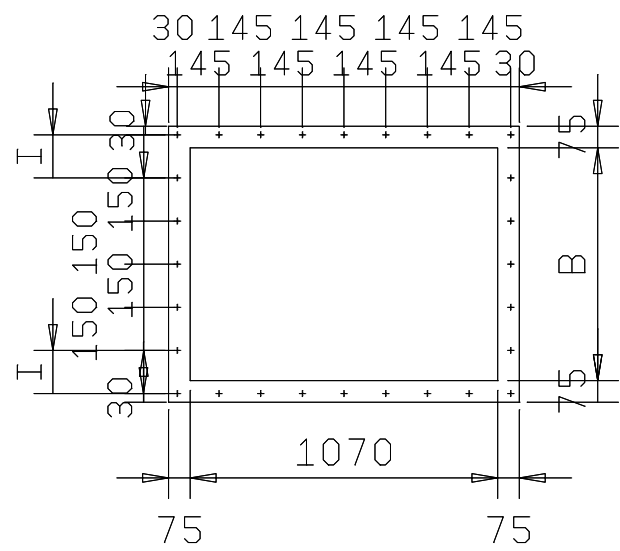


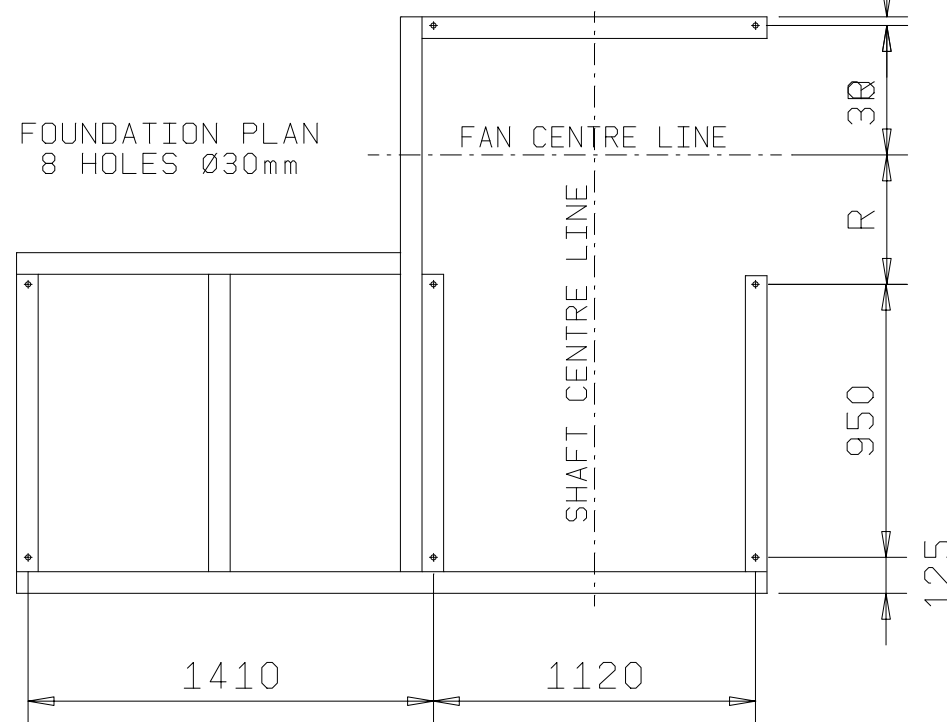
VIEW FROM DRIVE END



SUITS ALL MOTOR FRAMES SIZE D355L

CASING % WIDTH	B	D	I	R
40	660	455	75	375
60	710	480	100	400
80	760	505	125	425
100	810	530	150	450
120	860	555	175	475

FOUNDATION PLAN
8 HOLES Ø 30mm



DO NOT SCALE

THIS DRAWING, DESIGNS AND CONCEPTS IS THE SOLE PROPERTY OF AIRENG PTY. LTD. AND IS TO BE RETURNED ON REQUEST. IT IS TO BE TREATED AS CONFIDENTIAL AND NOT TO BE COPIED OR COMMUNICATED TO ANY OTHER PERSON WITHOUT THE WRITTEN CONSENT OF AIRENG PTY. LTD.. IT MAY ONLY BE USED FOR MANUFACTURE WHEN ACCOMPANIED BY A WRITTEN ORDER.

<p>DRAFTING STANDARD AS1100-1984</p>	<p>AIRENG PTY. LTD.</p>	<p>BAYSWATER VICTORIA AUSTRALIA Ph. (613) 9761 3333 Fax (613) 9761 0550 ACN 060 583 164</p>	
		<p>DRAWN: VTG</p> <p>DATE: 12-03-99</p> <p>CHECKED:</p> <p>DATE:</p> <p>REV. No.</p>	<p>TITLE: GENERAL ASSEMBLY D.5000 S.4025 ARR.1/Z CW90</p> <p>SUITS ALL MOTOR FRAMES SIZE D355L</p> <p>SCALE: DRAWING NO. QC D5000 S4025 G-C1Z</p>
<p>CAD FILE No.</p>		<p>A3</p>	