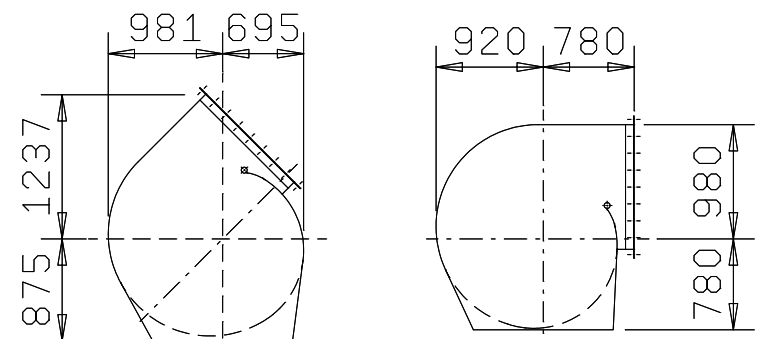


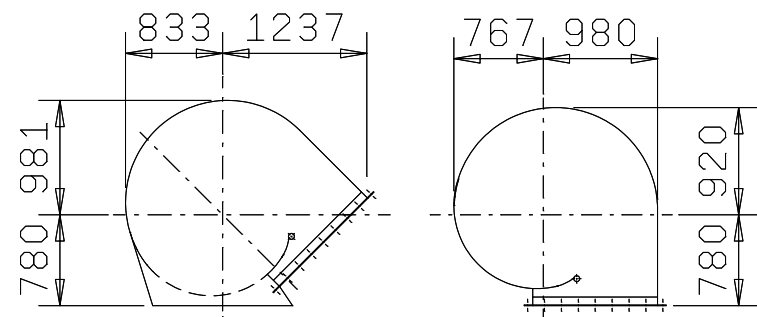
CW0 BH

CW45 BAU



CW135 TAU

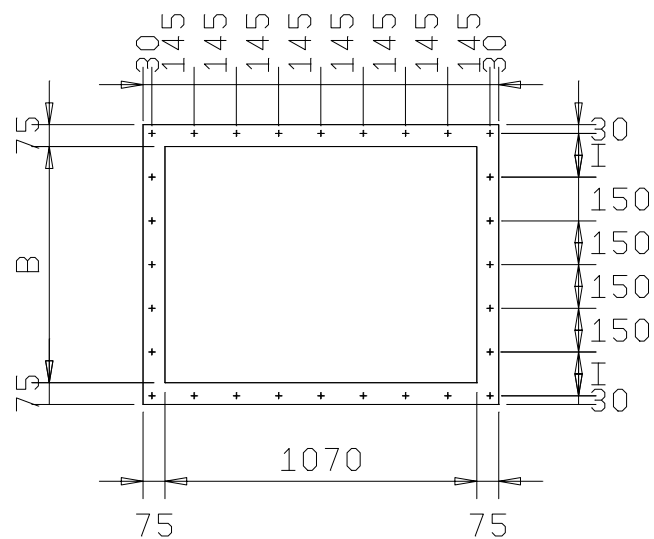
CW180 TH



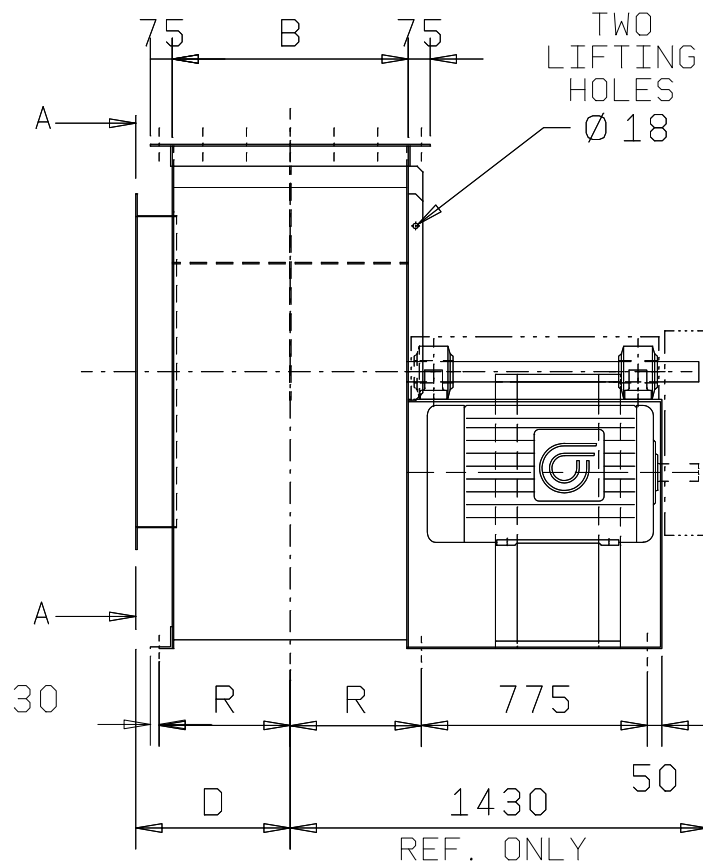
CW225 TAD

CW270 DB

VIEW FROM DRIVE END

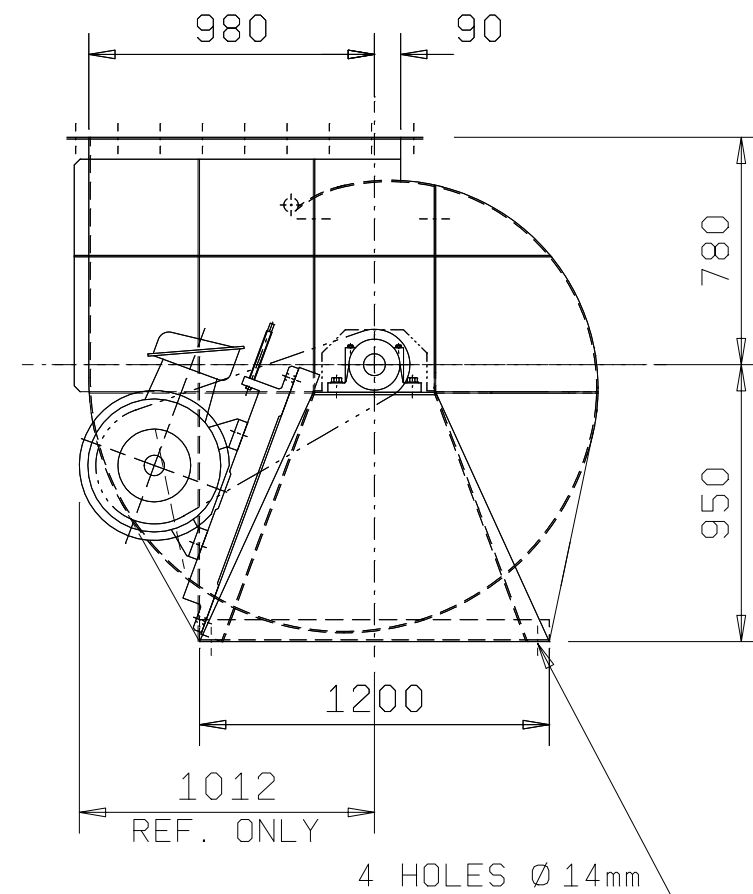


DISCHARGE FLANGE DETAIL  
28 HOLES Ø 14mm



TWO LIFTING HOLES  
Ø 18

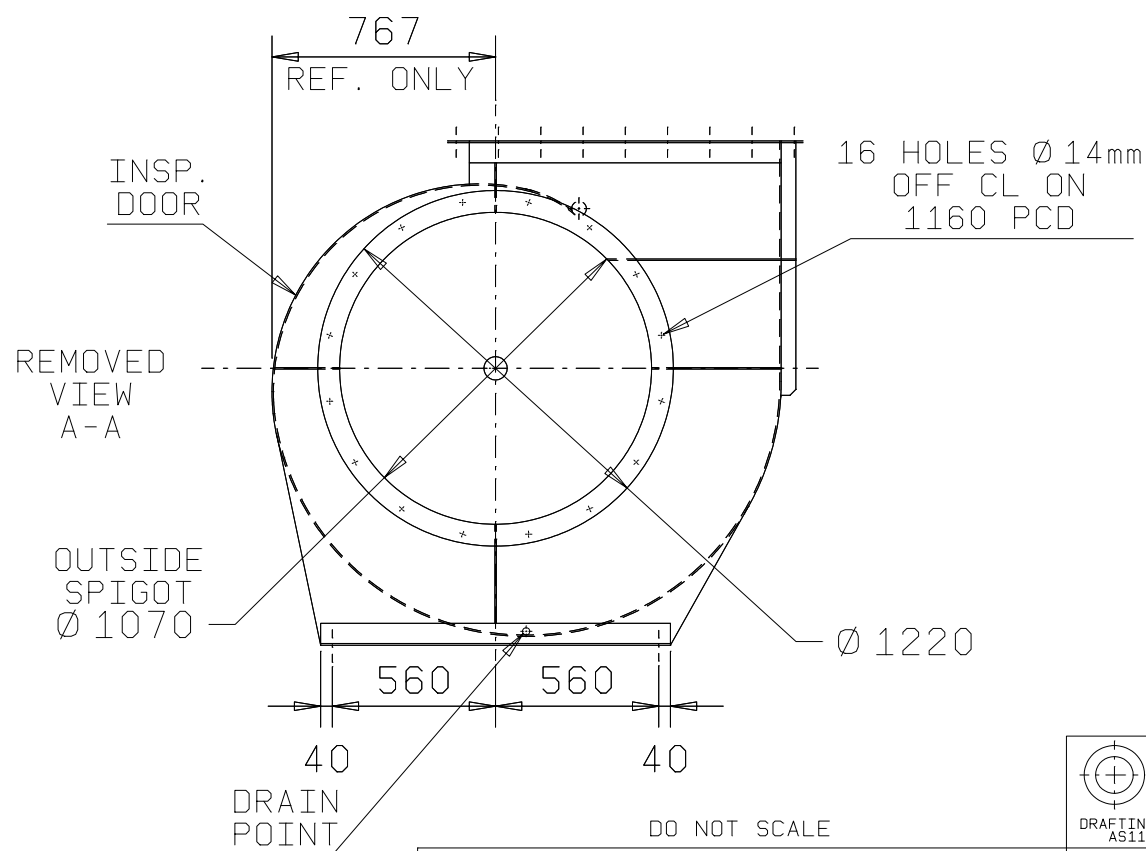
REF. ONLY



4 HOLES Ø 14mm

SUITS ALL MOTOR FRAMES SIZE D250M

CASING % WIDTH	B	D	I	R
40	660	455	75	375
60	710	480	100	400
80	760	505	125	425
100	810	530	150	450
120	860	555	175	475



INSP. DOOR

16 HOLES Ø 14mm  
OFF CL ON  
1160 PCD

REMOVED VIEW  
A-A

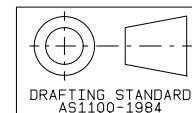
OUTSIDE SPIGOT  
Ø 1070

Ø 1220

DRAIN POINT

DO NOT SCALE

THIS DRAWING, DESIGNS AND CONCEPTS IS THE SOLE PROPERTY OF AIRENG PTY. LTD. AND IS TO BE RETURNED ON REQUEST. IT IS TO BE TREATED AS CONFIDENTIAL AND NOT TO BE COPIED OR COMMUNICATED TO ANY OTHER PERSON WITHOUT THE WRITTEN CONSENT OF AIRENG PTY. LTD.. IT MAY ONLY BE USED FOR MANUFACTURE WHEN ACCOMPANIED BY A WRITTEN ORDER.



CAD FILE No.



**AIRENG** PTY. LTD. BAYSWATER VICTORIA AUSTRALIA  
Ph. (613) 9761 3333 Fax (613) 9761 0550  
ACN 060 583 164

DRAWN: VTG

DATE: 31-03-99

CHECKED:

DATE:

REV. No.

SCALE

TITLE: GENERAL ASSEMBLY  
D.5000 S.4025 ARR.9/Z CW90

SUITS ALL MOTOR FRAMES SIZE D250M

DRAWING NO. QC D5000 S4025 G-C9Z

**A3**