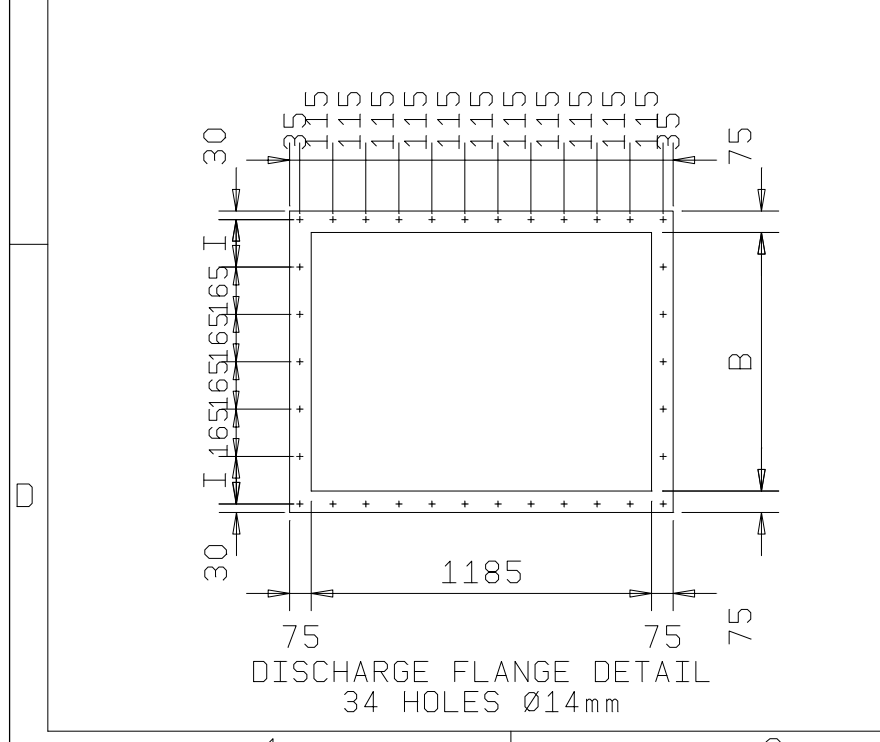
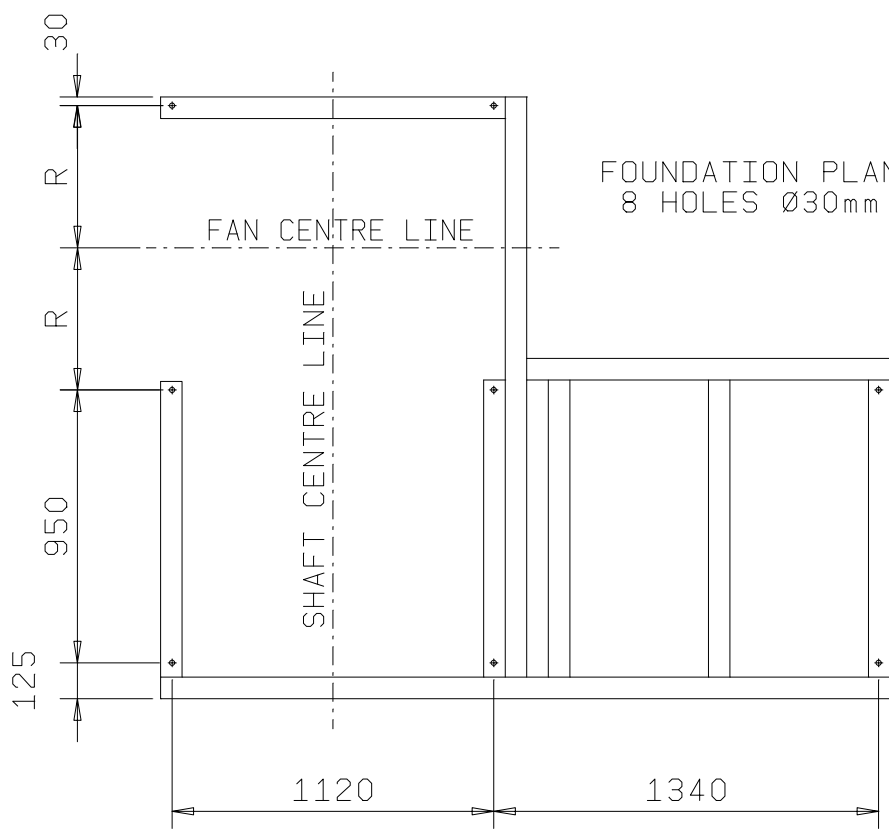
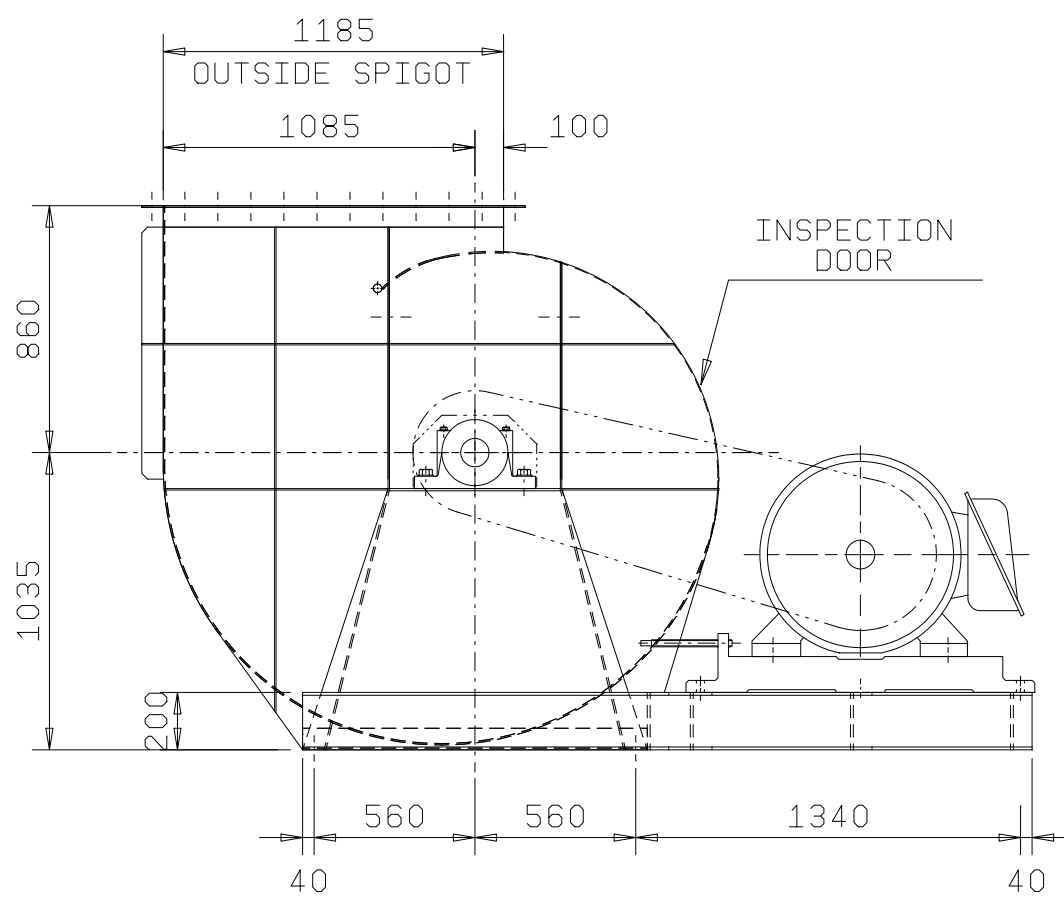


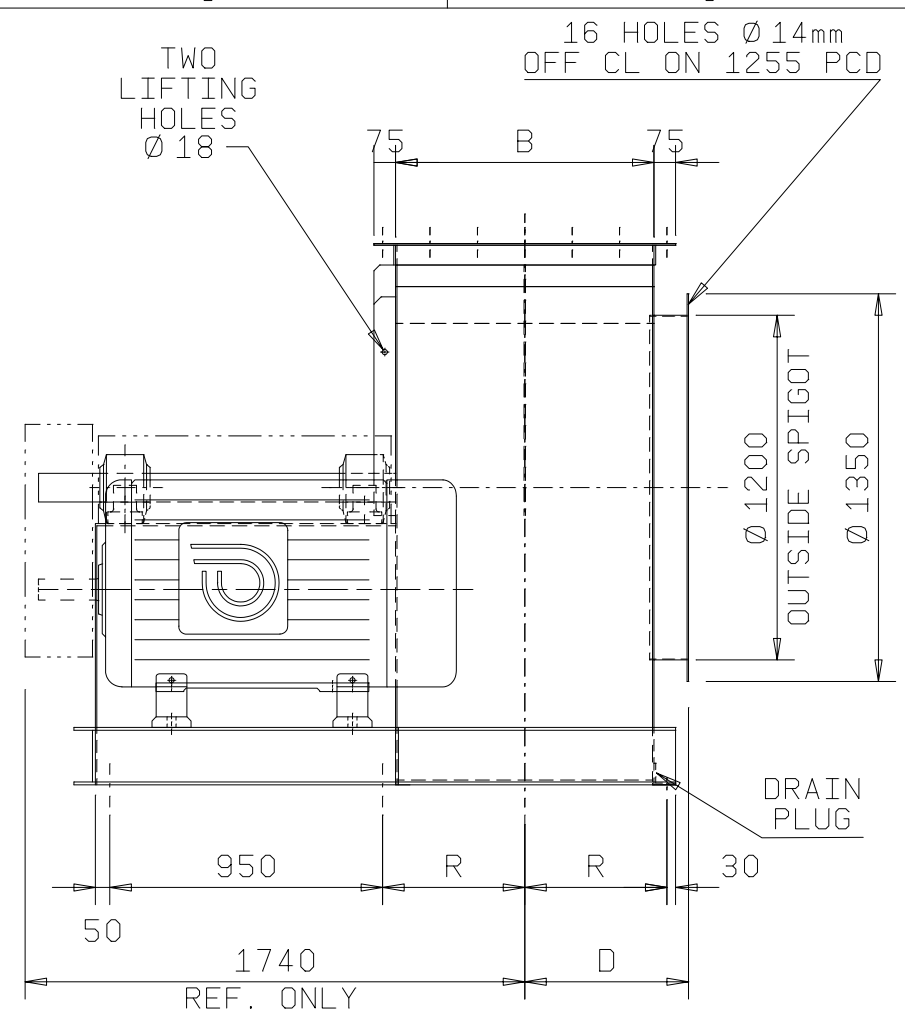
VIEW FROM DRIVE END



DISCHARGE FLANGE DETAIL
34 HOLES Ø14mm



FOUNDATION PLAN
8 HOLES Ø30mm



SUITS ALL MOTOR FRAMES TO D355L

CASING % WIDTH	B	D	I	R
40	720	480	75	405
60	780	510	105	435
80	840	540	135	465
100	900	570	165	495
120	960	600	195	525

II	23/02/99	80% width R value was 455 now 465.	VTG
I	29/10/98	Modified discharge flange drilling.	VTG
Rev.	DATE	DESCRIPTION	SIGN.
		BAYSWATER VICTORIA AUSTRALIA Ph. (613) 9761 3333 Fax (613) 9761 0550 ACN 060 593 164	
DRAFTING STANDARD AS1100-1984		DRAWN: VTG DATE: 24-02-98	TITLE: GENERAL ASSEMBLY D.5000 S.4450 ARR.1/W CW90
CAD FILE No.		SUITS ALL MOTOR FRAMES TO D355L	
		REV. No. III	SCALE DRAWING NO. QC D5000 S4450 G-C1W
			A3

DO NOT SCALE

THIS DRAWING, DESIGNS AND CONCEPTS IS THE SOLE PROPERTY OF AIRENG PTY. LTD. AND IS TO BE RETURNED ON REQUEST. IT IS TO BE TREATED AS CONFIDENTIAL AND NOT TO BE COPIED OR COMMUNICATED TO ANY OTHER PERSON WITHOUT THE WRITTEN CONSENT OF AIRENG PTY. LTD.. IT MAY ONLY BE USED FOR MANUFACTURE WHEN ACCOMPANIED BY A WRITTEN ORDER.