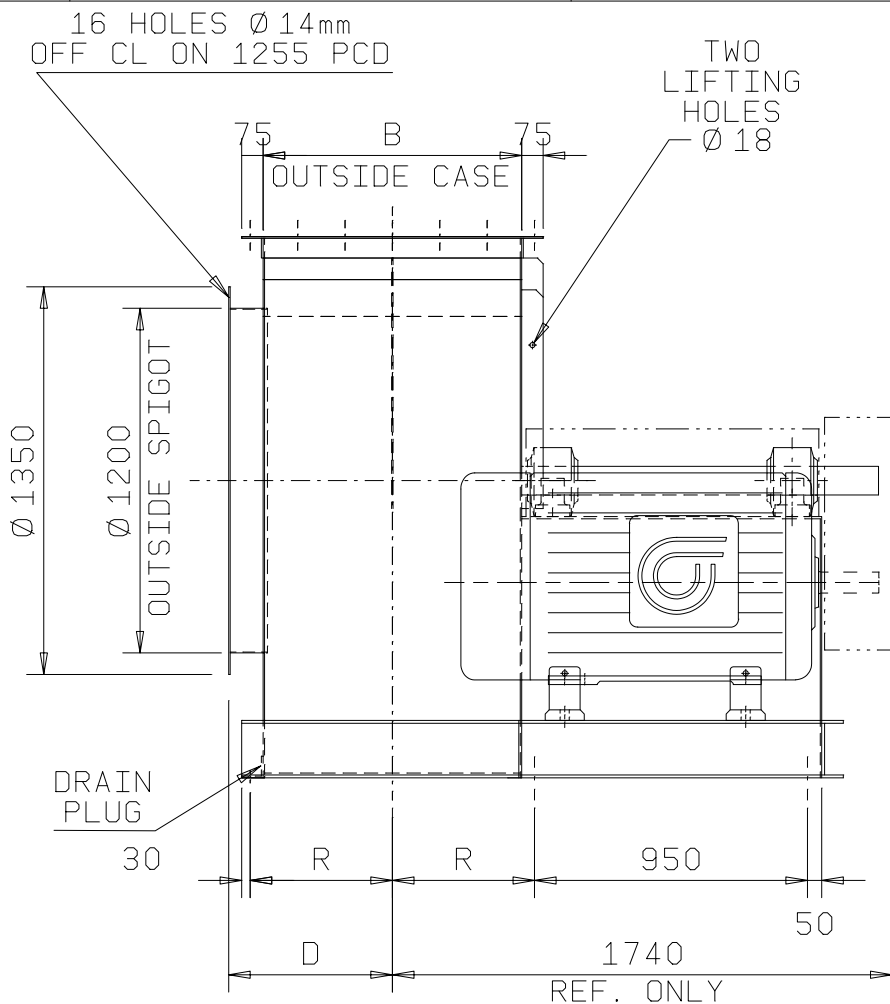
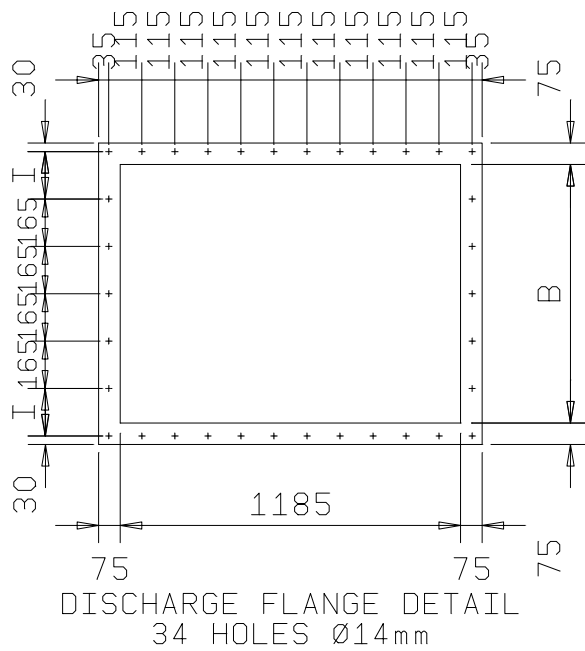
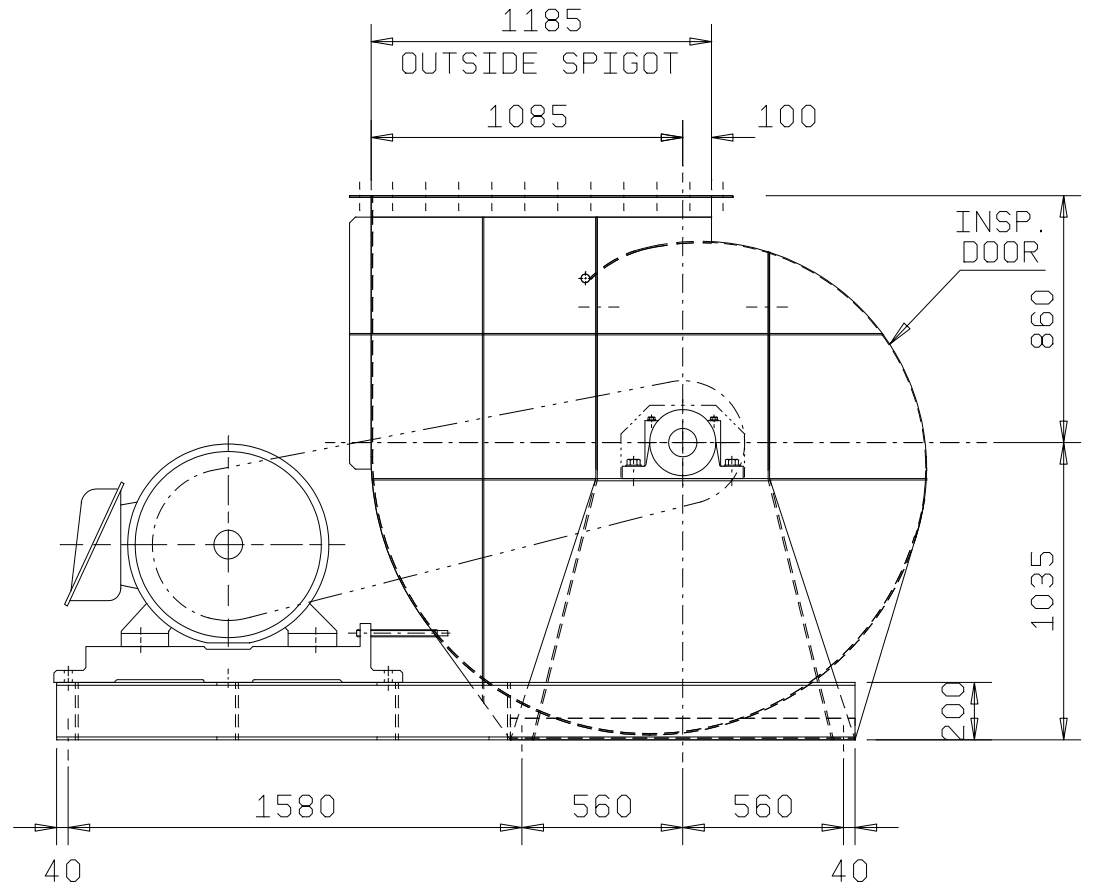
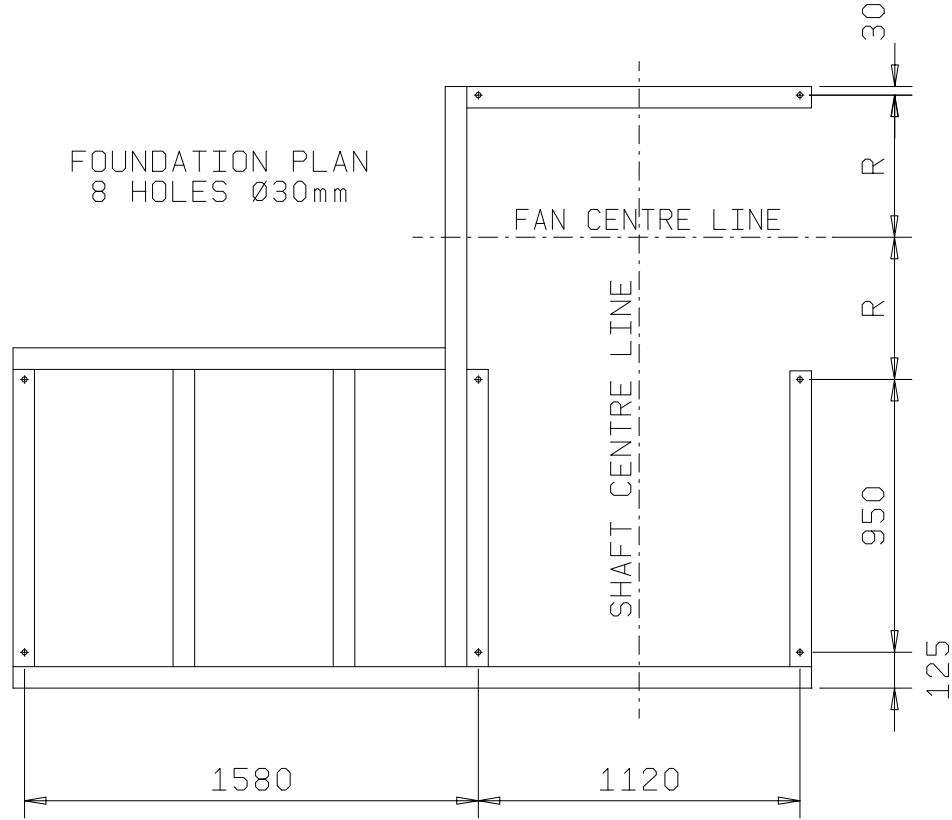


VIEW FROM DRIVE END



FOUNDATION PLAN  
8 HOLES Ø30mm



SUITS ALL MOTOR FRAMES TO D355L

CASING % WIDTH	B	D	I	R
40	720	480	75	405
60	780	510	105	435
80	840	540	135	465
100	900	570	165	495
120	960	600	195	525

THIS DRAWING, DESIGNS AND CONCEPTS IS THE SOLE PROPERTY OF AIRENG PTY. LTD. AND IS TO BE RETURNED ON REQUEST. IT IS TO BE TREATED AS CONFIDENTIAL AND NOT TO BE COPIED OR COMMUNICATED TO ANY OTHER PERSON WITHOUT THE WRITTEN CONSENT OF AIRENG PTY. LTD.. IT MAY ONLY BE USED FOR MANUFACTURE WHEN ACCOMPANIED BY A WRITTEN ORDER.

**AIRENG** PTY. LTD. BAYSWATER VICTORIA AUSTRALIA  
Ph. (613) 9761 3333 Fax (613) 9761 0550 ACN 060 593 164

DRAWN: VTG DATE: 24-02-98  
CHECKED: TITLE: GENERAL ASSEMBLY  
DATE: D.5000 S.4450 ARR.1/2 CW90  
REV. No. SUITS ALL MOTOR FRAMES TO D355L  
SCALE: DRAWING NO. QC D5000 S4450 G-C1Z

DRAFTING STANDARD AS1100-1984 CAD FILE No. **QIKDRAW** **A3**

DO NOT SCALE