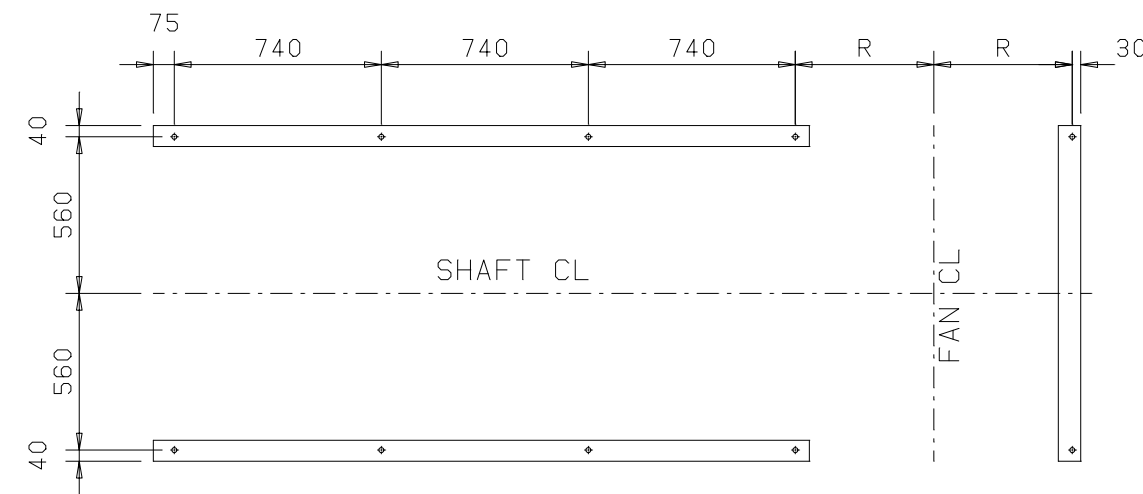
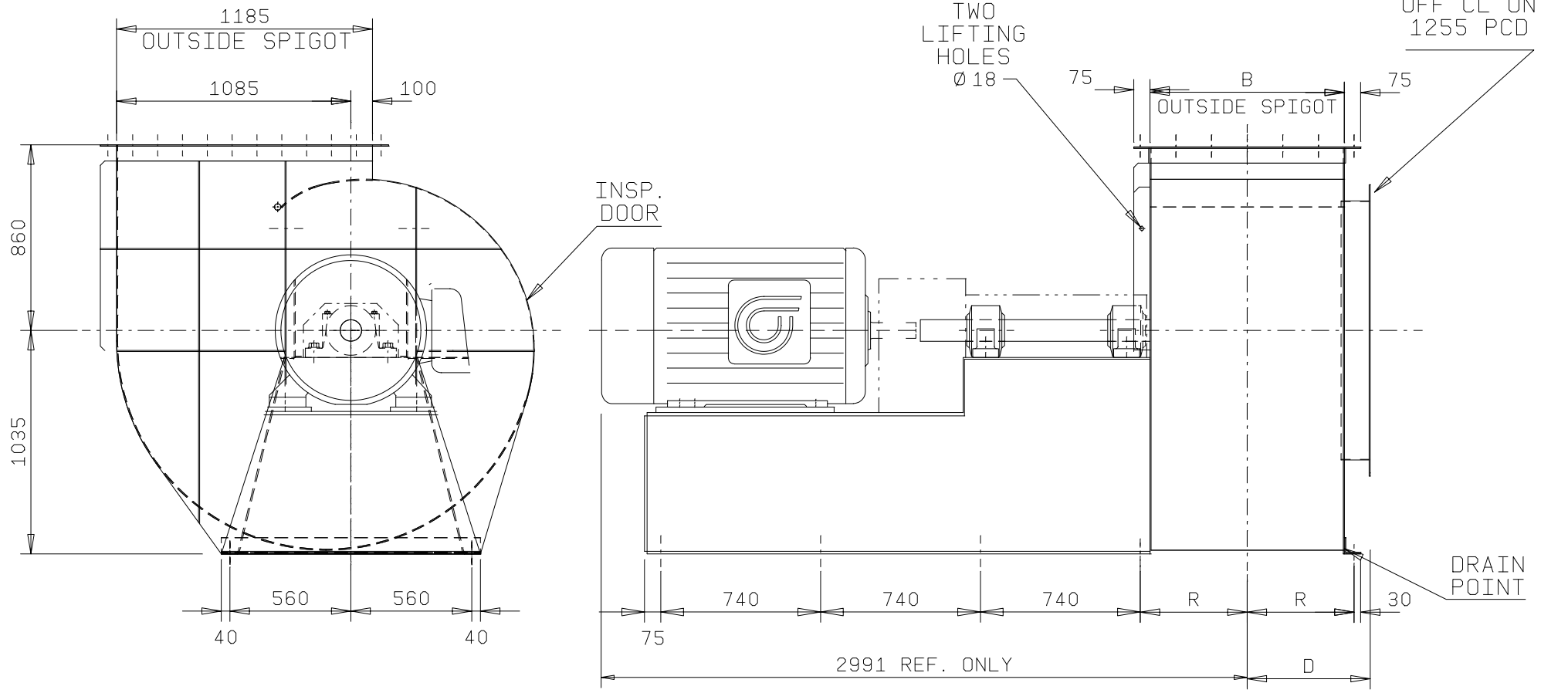


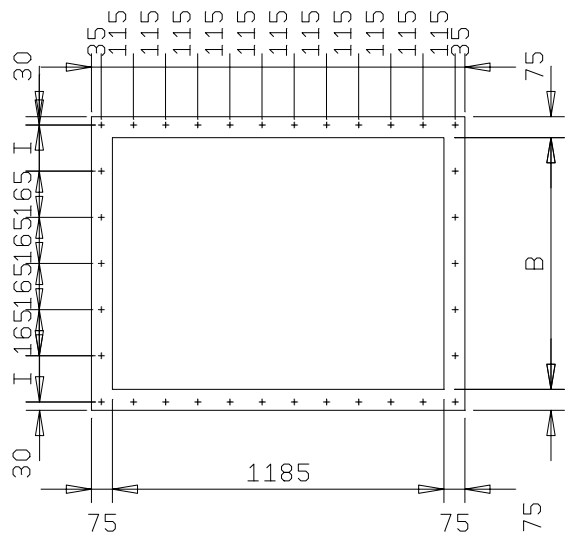
VIEW FROM DRIVE END



FOUNDATION PLAN  
10 HOLES Ø 18mm

SUITS ALL MOTOR FRAMES SIZE D355M  
NOT: PEDESTAL LENGTH MAY DECREASE  
FOR SMALLER MOTOR FRAMES

| CASING % WIDTH | B   | D   | I   | R   |
|----------------|-----|-----|-----|-----|
| 40             | 720 | 480 | 75  | 405 |
| 60             | 780 | 510 | 105 | 435 |
| 80             | 840 | 540 | 135 | 465 |
| 100            | 900 | 570 | 165 | 495 |
| 120            | 960 | 600 | 195 | 525 |



DISCHARGE FLANGE DETAIL  
34 HOLES Ø 14mm

DO NOT SCALE

THIS DRAWING, DESIGNS AND CONCEPTS IS THE SOLE PROPERTY OF AIRENG PTY. LTD. AND IS TO BE RETURNED ON REQUEST. IT IS TO BE TREATED AS CONFIDENTIAL AND NOT TO BE COPIED OR COMMUNICATED TO ANY OTHER PERSON WITHOUT THE WRITTEN CONSENT OF AIRENG PTY. LTD.. IT MAY ONLY BE USED FOR MANUFACTURE WHEN ACCOMPANIED BY A WRITTEN ORDER.

|                                      |                              |  |           |
|--------------------------------------|------------------------------|--|-----------|
| <br>DRAFTING STANDARD<br>AS1100-1984 | <br>AIRENG PTY. LTD.         | BAYSWATER VICTORIA AUSTRALIA<br>Ph. (613) 9761 3333 Fax (613) 9761 0550<br>ACN 060 593 164 |           |
|                                      | DRAWN: NJE<br>DATE: 17-07-03 | TITLE: GENERAL ASSEMBLY<br>D.5000 S.4450 ARR.8 CW90  |           |
| CAD FILE No.                         | CHECKED:                     | SUITS ALL MOTOR FRAMES SIZE D355M  |           |
| REV. No.                             | SCALE                        | DRAWING NO.  | <b>A3</b> |