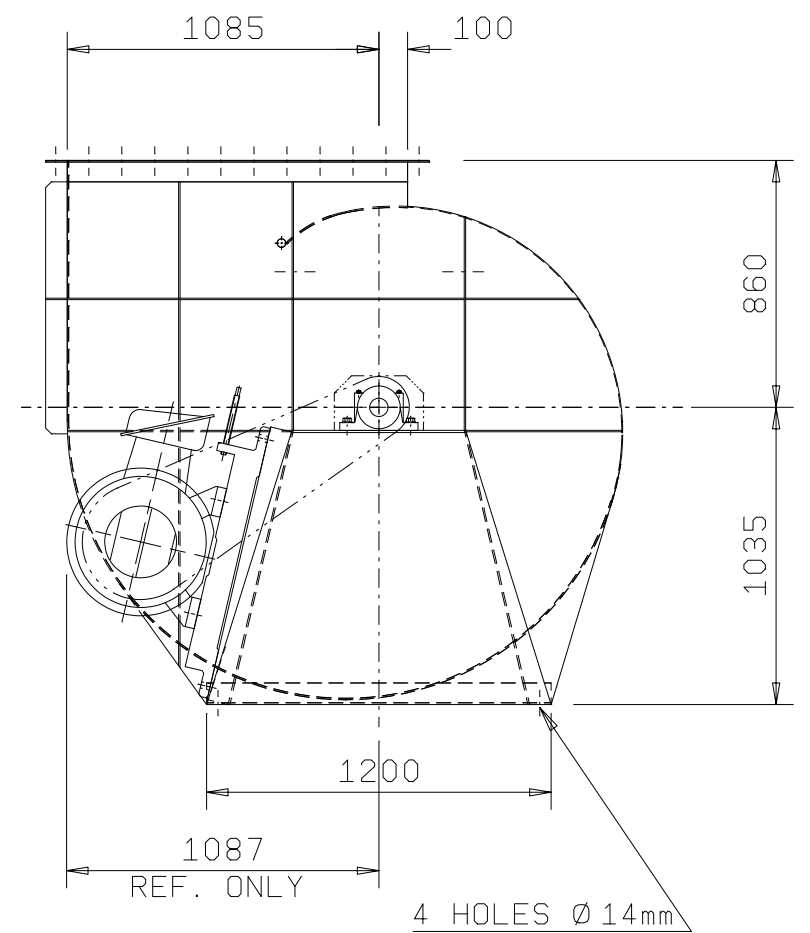
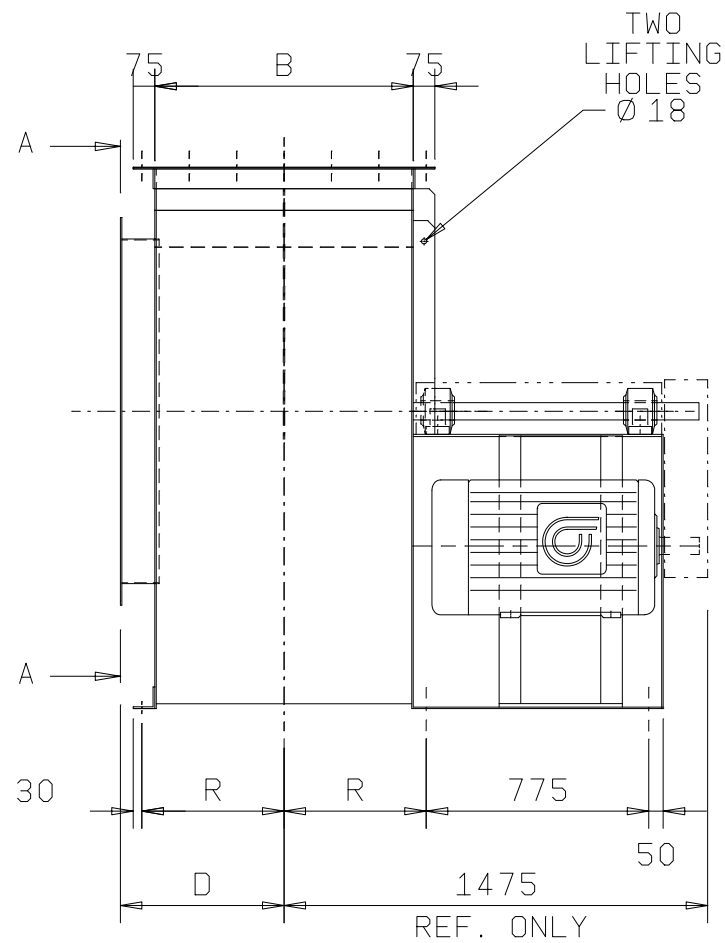
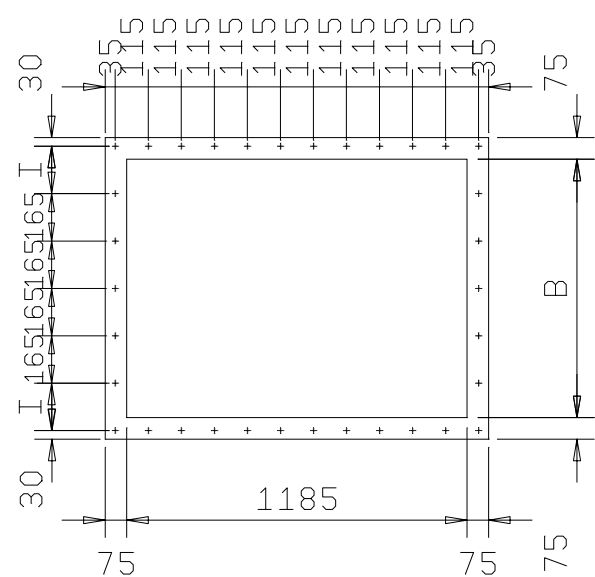
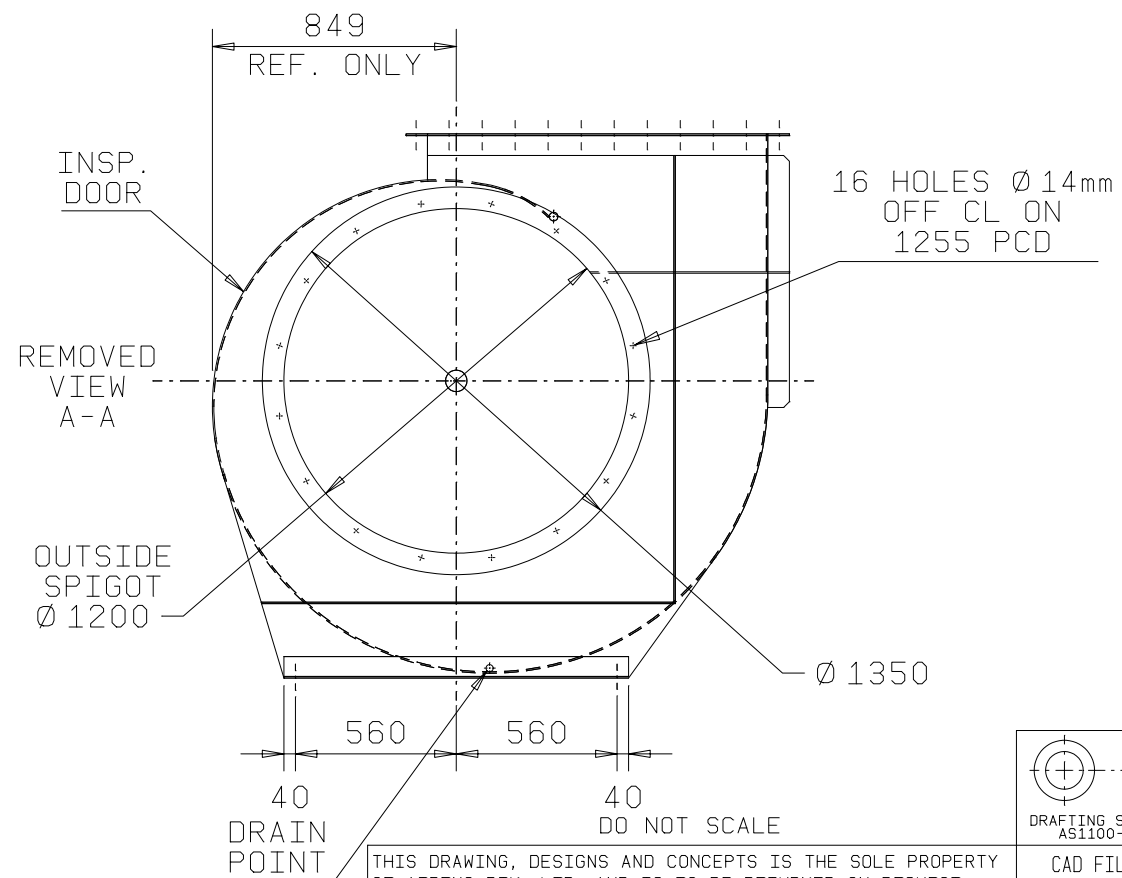


VIEW FROM DRIVE END

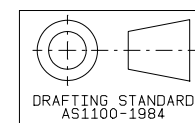


SUITS ALL MOTOR FRAMES TO D250M

CASING % WIDTH	B	D	I	R
40	720	480	75	405
60	780	510	105	435
80	840	540	135	465
100	900	570	165	495
120	960	600	195	525



THIS DRAWING, DESIGNS AND CONCEPTS IS THE SOLE PROPERTY OF AIRENG PTY. LTD. AND IS TO BE RETURNED ON REQUEST. IT IS TO BE TREATED AS CONFIDENTIAL AND NOT TO BE COPIED OR COMMUNICATED TO ANY OTHER PERSON WITHOUT THE WRITTEN CONSENT OF AIRENG PTY. LTD.. IT MAY ONLY BE USED FOR MANUFACTURE WHEN ACCOMPANIED BY A WRITTEN ORDER.



CAD FILE No.



AIRENG PTY. LTD. BAYSWATER VICTORIA AUSTRALIA
Ph. (613) 9761 3333 Fax (613) 9761 0550
ACN 060 593 164

DRAWN: VTG DATE: 01-04-99
TITLE: GENERAL ASSEMBLY
D.5000 S.4450 ARR.9/Z CW90

CHECKED: SUITS ALL MOTOR FRAMES TO D250M

DATE: REV. No. SCALE DRAWING NO. QC D5000 S4450 G-C9Z **A3**