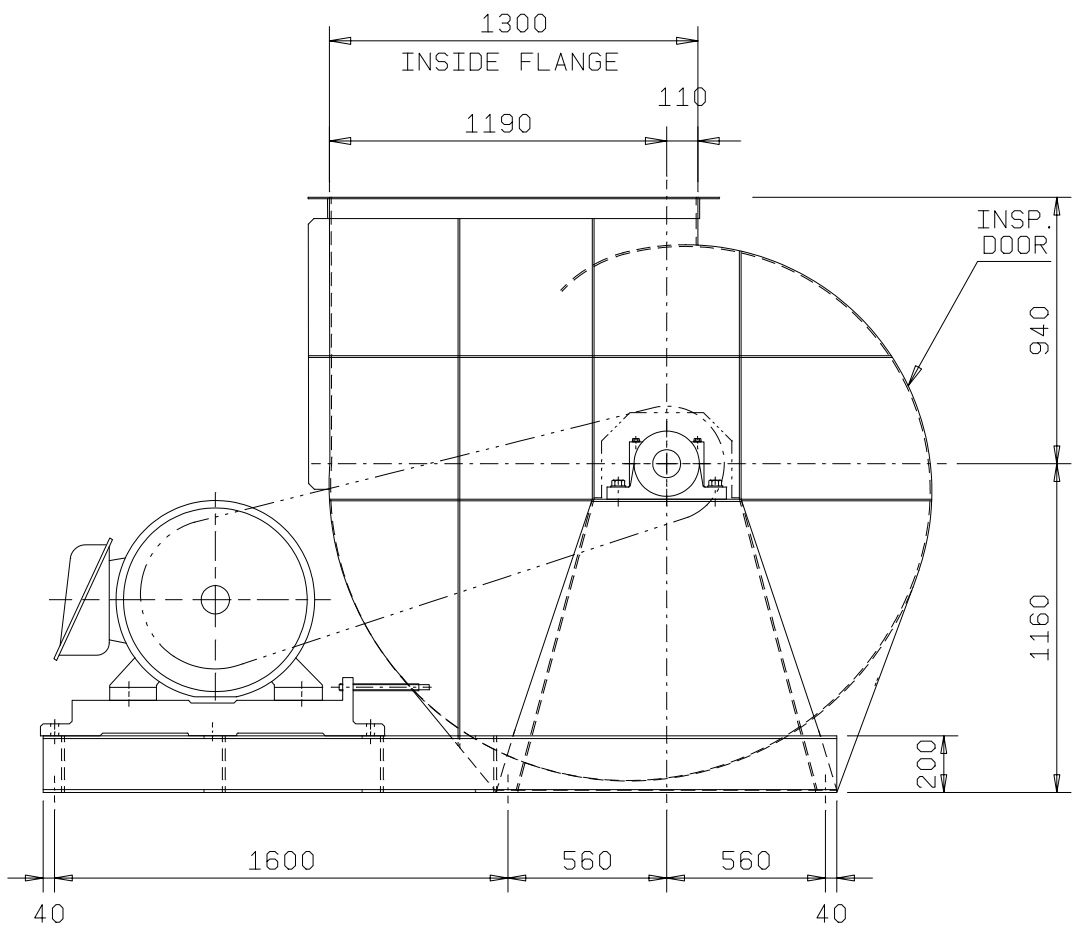
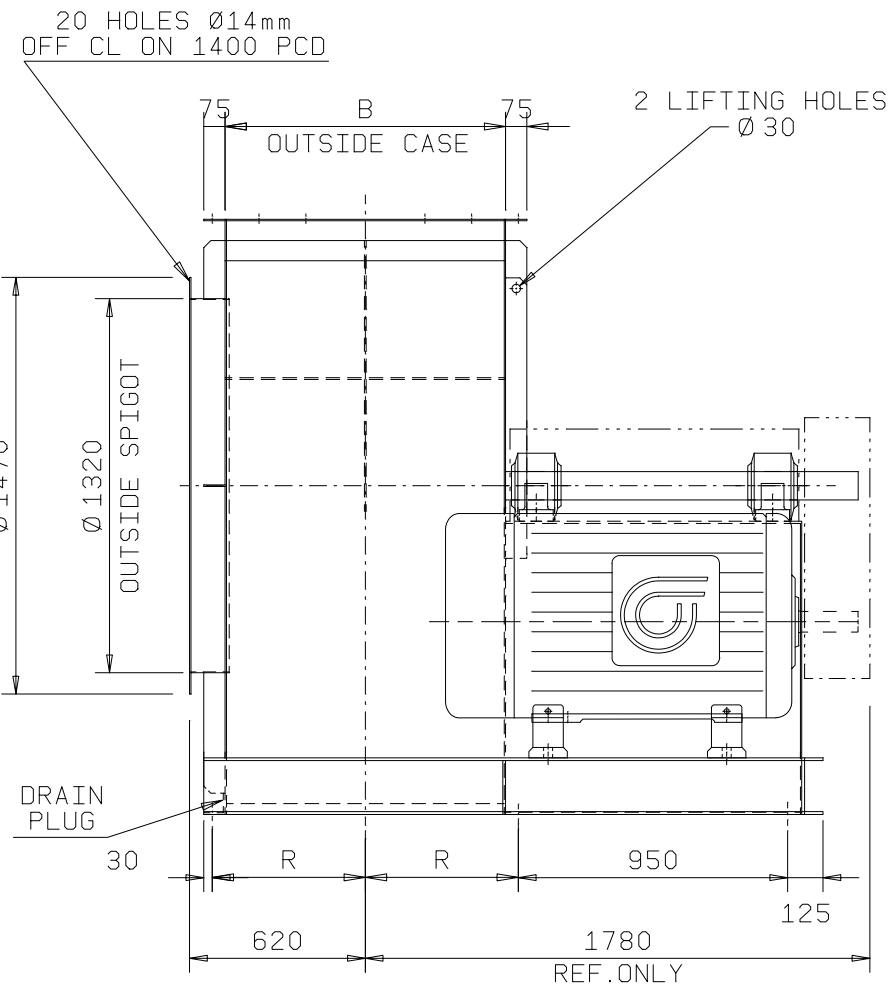
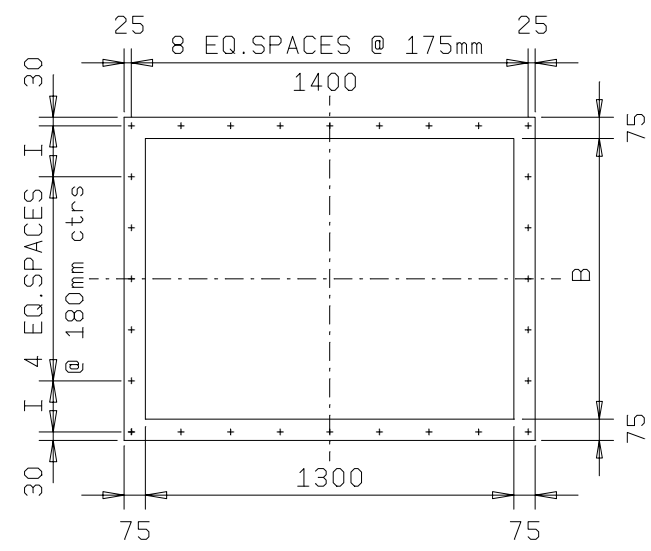
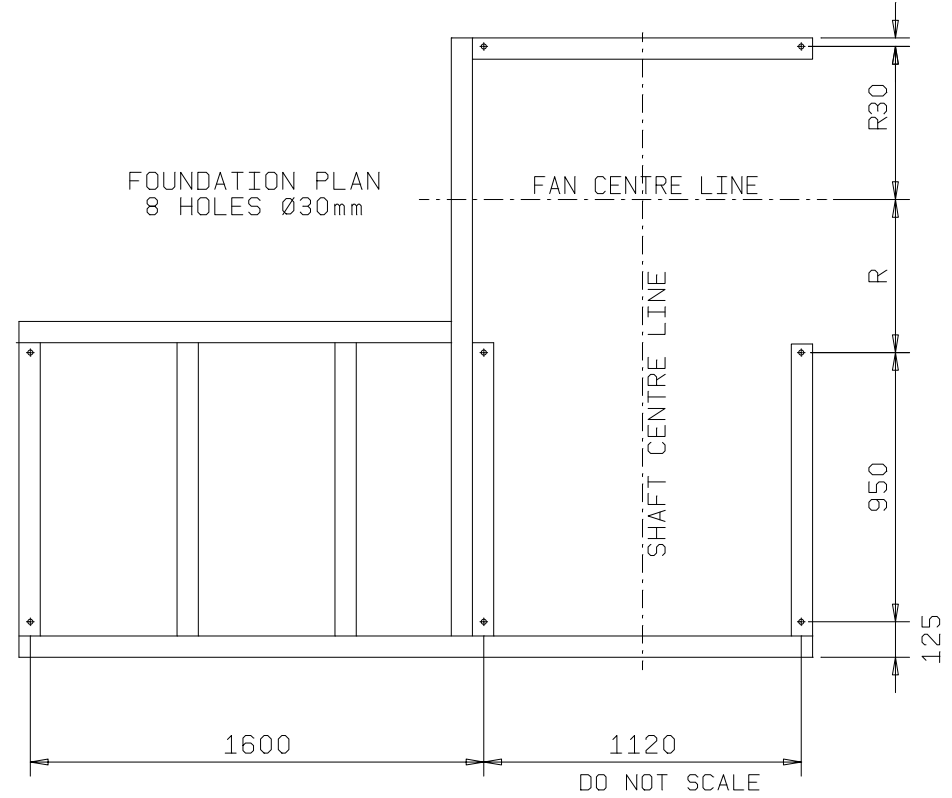


VIEW FROM DRIVE END



FOUNDATION PLAN  
8 HOLES Ø30mm



SUITS ALL MOTOR FRAMES TO D355L

CASING % WIDTH	B	D	I	R
40	810	530	90	450
60	870	560	120	480
80	930	590	150	510
100	990	620	180	540
120	1050	650	145	570

THIS DRAWING, DESIGNS AND CONCEPTS IS THE SOLE PROPERTY OF AIRENG PTY. LTD. AND IS TO BE RETURNED ON REQUEST. IT IS TO BE TREATED AS CONFIDENTIAL AND NOT TO BE COPIED OR COMMUNICATED TO ANY OTHER PERSON WITHOUT THE WRITTEN CONSENT OF AIRENG PTY. LTD.. IT MAY ONLY BE USED FOR MANUFACTURE WHEN ACCOMPANIED BY A WRITTEN ORDER.

<p><b>AIRENG</b> PTY. LTD. BAYSWATER VICTORIA AUSTRALIA Ph. (613) 9761 3333 Fax (613) 9761 0550 ACN 060 593 164</p>	<p>DRAWN: VTG</p> <p>DATE: 15-03-99</p> <p>CHECKED:</p> <p>DATE:</p>	<p>TITLE: GENERAL ASSEMBLY D.5000 S.4900 ARR.1/Z CW90</p>
	<p>CAD FILE No.</p>	<p>SUITS ALL MOTOR FRAMES TO D355L</p>
<p>DRAFTING STANDARD AS1100-1984</p>	<p>REV. No.</p>	<p><b>A3</b></p>