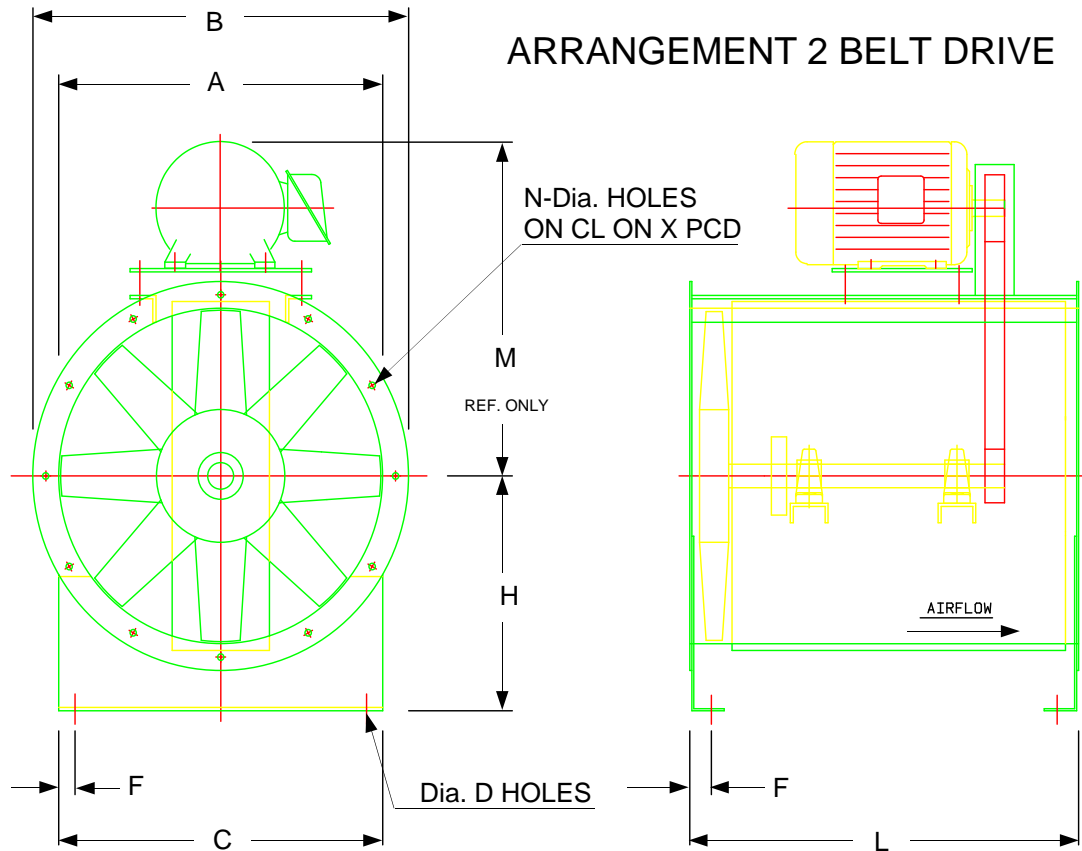


# AIRENG PTY LTD PERFORMANCE BY DESIGN

BORONIA VICTORIA AUSTRALIA ACN 060 583 164  
 PHONE: (03) 9738 1999 FAX: (03) 9738 1766 E-MAIL: fans@aireng.com.au

## MULTI - PITCH AXIAL FLOW FANS



FAN SIZE	A Dia.	B Dia.	C*	D	F*	H*	L	N	M	X	MASS kg
MP315B	315	375	315	10	20	200	600	8	400	355	105
MP400B	400	460	400	10	20	250	600	12	520	440	150
MP500B	500	560	500	12	25	300	600	12	635	540	210
MP630B	630	710	630	12	25	400	600	12	700	680	300
MP710B	710	790	710	12	25	450	800	16	740	760	380
MP800B	800	880	800	12	30	500	800	16	850	850	500
MP900B	900	1000	900	12	30	550	800	16	945	960	670
MP1000B	1000	1100	1000	12	30	600	800	16	1045	1060	780
MP1120B	1120	1220	1120	12	30	650	1100	16	1105	1180	910
MP1250B	1250	1350	1200	14	35	750	1100	16	1225	1310	1080
MP1400B	1400	1500	1200	14	35	800	1100	24	1300	1460	1160
MP1600B	1600	1700	1500	14	35	900	1100	24	1400	1660	1260
MP1800B	1800	1900	1500	14	35	950	1100	24	1500	1860	1330

\*Optional Feet

Testing Standards Used: AS2936-1987, BS848-1963 & BS1042-1981

STANDARD FAN INCLUDES: Casing ( Zinc Rich Primer Coated ), GRP Impeller, Class F IP55 Three Phase Motor, Motor Mount, V-Drive, Pulley Guard, Shaft, Motor Plate, Shaft, Bearing Tunnel & Bearings.

OPTIONS INCLUDE: Matching Flanges, Silencers, H.D. Gal./Special coating, Mounting Feet, Flexible Mounts, Safety Guards, Cones, Hazardous Location Applications, Two Speed Motors, Special Designs, Access Door, External Lubes, High Temp.

IMPELLERS / CASINGS ARE ALSO AVAILABLE IN: ALUMINIUM, PVC, MILD STEEL, STAINLESS STEEL, SPECIAL ALLOYS

Form no. /masters/axial2.PUB

REV.2