

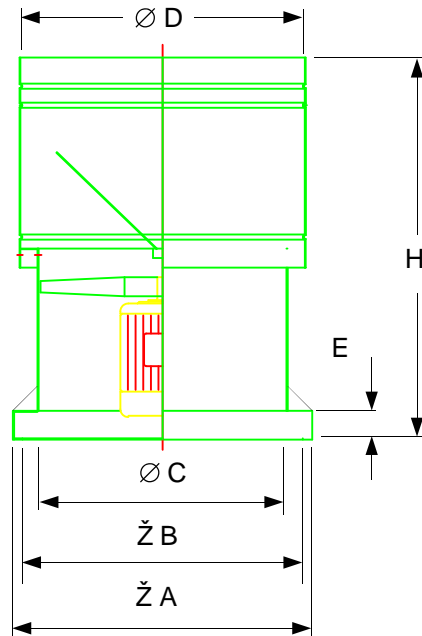
AIRENG PTY LTD PERFORMANCE BY DESIGN

BAYSWATER VICTORIA AUSTRALIA ACN 060 583 164
 PHONE: (03) 9738 1999 FAX: (03) 9738 1766 E-MAIL: fans@aireng.com.au

RVV - ROOF VENT

SMOKE SPILL & GENERAL EXHAUST

ARRANGEMENT 4 DIRECT DRIVE



FAN SIZE	A	B	C	D	E	H*	MASS kg (max.)
RVV315	650	450	315	330	50	450	70
RVV400	800	600	400	460	50	520	80
RVV500	800	600	500	675	50	650	95
RVV630	1000	800	630	730	75	800	120
RVV710	1000	800	710	820	75	1000	145
RVV800	1100	900	800	920	75	1000	295
RVV900	1200	1000	900	1035	75	1250	340
RVV1000	1300	1100	1000	1150	75	1250	435
RVV1120	1350	1150	1120	1300	100	1350	475
RVV1250	1450	1250	1250	1425	100	1600	920

* Subject To Motor

Testing Standards Used: AS2936-1987, BS848-1963 & BS1042-1981

STANDARD FAN INCLUDES: Casing (Zinc Rich Primer Coated), GRP Impeller, Class F IP55 Three Phase Motor, Motor Mount, Rain Cowl & Weather Flaps.

OPTIONS INCLUDE: Silencers, H.D. Gal./Special coating, Safety Guards, Cones, Hazardous Location Applications, Two Speed Motors, Special Designs, Class H Motors,

IMPELLERS / CASINGS ARE ALSO AVAILABLE IN: ALUMINIUM, PVC, MILD STEEL, STAINLESS STEEL, SPECIAL ALLOYS

Form no. /masters/RVV.PUB

REV.2